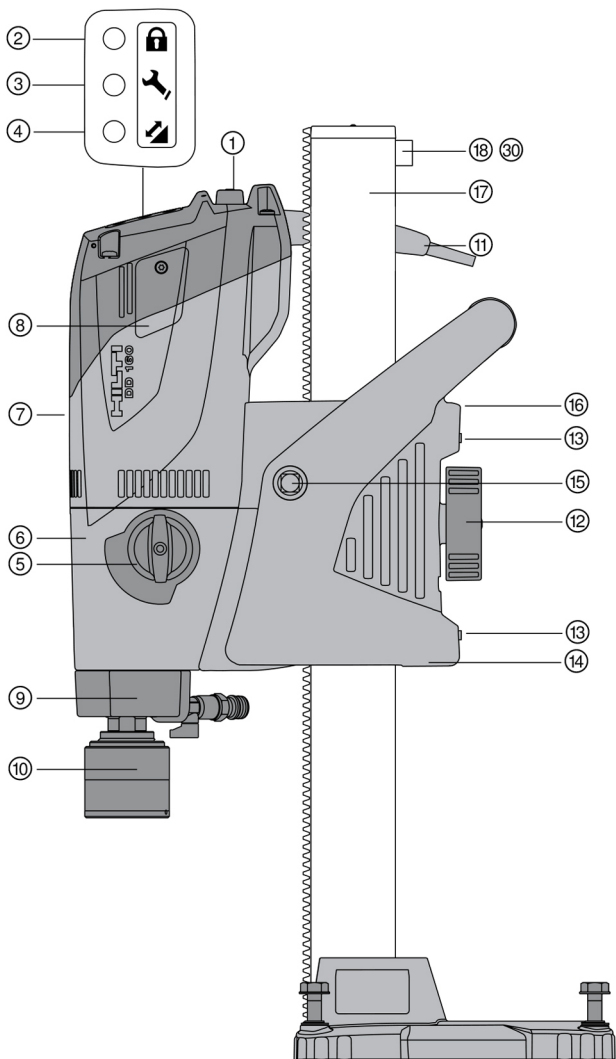
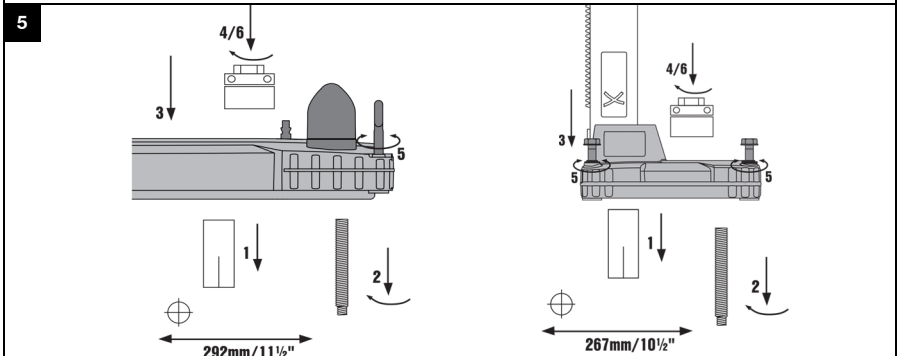
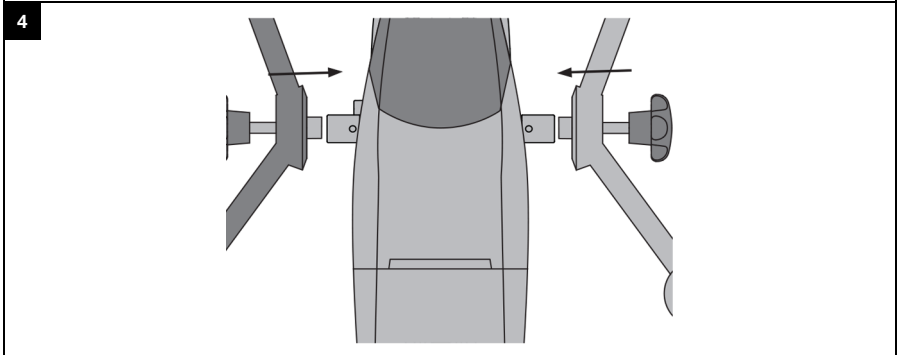
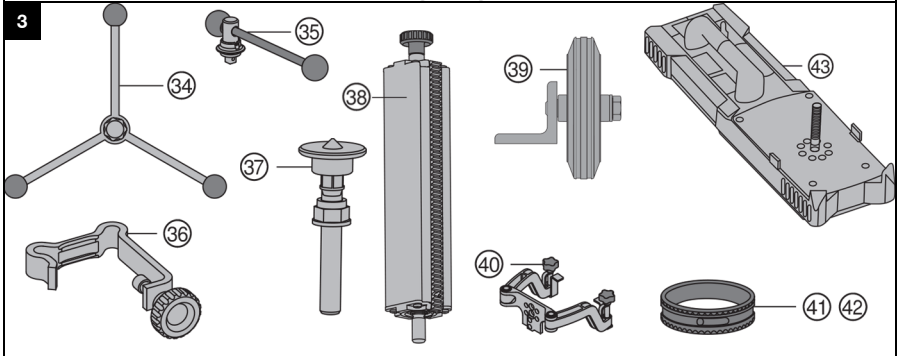
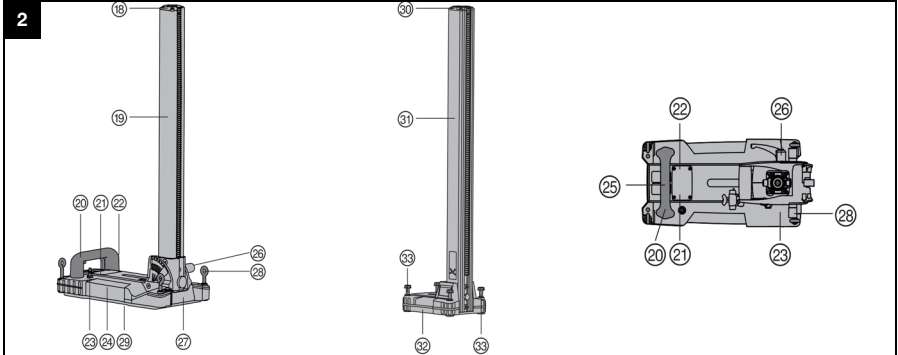




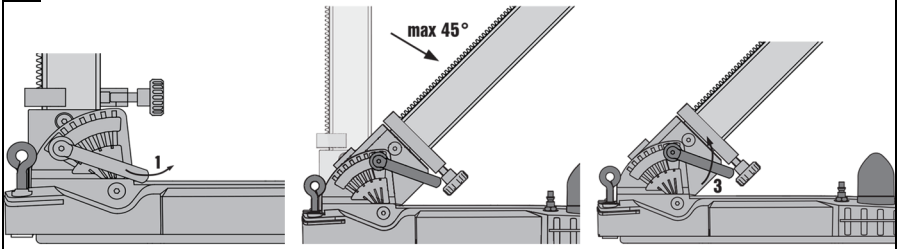
DD 160 (02)

English	1
Français	19
Español	38
Português	56

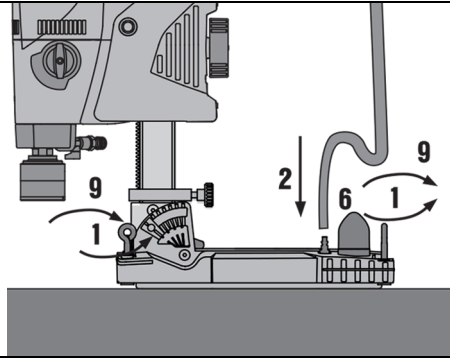




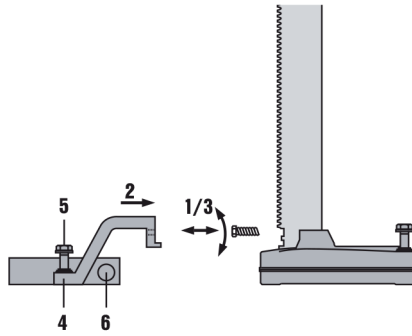
6



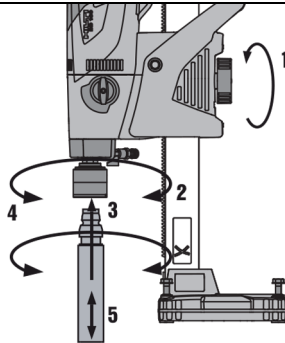
7



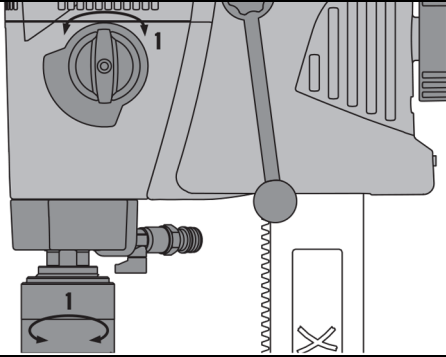
8



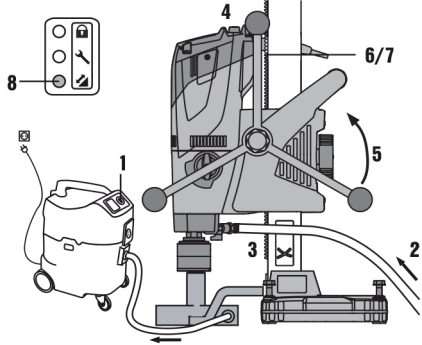
9



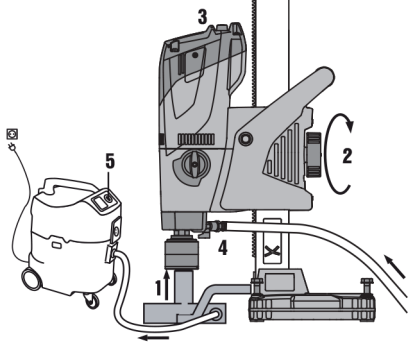
10



11



12



# DD 160

en	Original operating instructions .....	1
fr	Mode d'emploi original .....	19
es	Manual de instrucciones original .....	38
pt	Manual de instruções original .....	56

# Original operating instructions

## 1 Information about the operating instructions

### 1.1 About these operating instructions

- **Warning!** Read and understand all accompanying documentation, including but not limited to instructions, safety warnings, illustrations, and specifications provided with this product. Familiarize yourself with all the instructions, safety warnings, illustrations, specifications, components, and functions of the product before use. Failure to do so may result in electric shock, fire, and/or serious injury. Save all warnings and instructions for future reference.
- products are designed for professional users and only trained, authorized personnel are permitted to operate, service and maintain the products. This personnel must be specifically informed about the possible hazards. The product and its ancillary equipment can present hazards if used incorrectly by untrained personnel or if used not in accordance with the intended use.
- The accompanying documentation corresponds to the current state of the art at the time of printing. Please always check for the latest version on the product's page on Hilti's website. To do this, follow the link or scan the QR code in this documentation, marked with the symbol .
- Ensure that these operating instructions are with the product when it is given to other persons.

### 1.2 Explanation of symbols used

#### 1.2.1 Warnings

Warnings alert persons to hazards that occur when handling or using the product. The following signal words are used:

#### DANGER

##### DANGER !

- ▶ Draws attention to imminent danger that will lead to serious personal injury or fatality.

#### WARNING

##### WARNING !

- ▶ Draws attention to a potential threat of danger that can lead to serious injury or fatality.

#### CAUTION

##### CAUTION !

- ▶ Draws attention to a potentially dangerous situation that could lead to personal injury or damage to the equipment or other property.

#### 1.2.2 Symbols in the documentation

The following symbols are used in this document:

	Read the operating instructions before use.
	Instructions for use and other useful information
	Dealing with recyclable materials
	Do not dispose of electric equipment and batteries as household waste

#### 1.2.3 Symbols in the illustrations

The following symbols are used in illustrations:

	These numbers refer to the corresponding illustrations found at the beginning of these operating instructions
	The numbering reflects the sequence of operations shown in the illustrations and may deviate from the steps described in the text



	Item reference numbers are used in the <b>overview illustrations</b> and refer to the numbers used in the <b>product overview section</b>
	This symbol is intended to draw special attention to certain points when handling the product.

### 1.3 Symbols on the product

#### 1.3.1 "Must do" symbols

The following "must do" symbols are used on the product:

	Wear eye protection
	Wear a hard hat
	Wear ear protection
	Wear protective gloves
	Wear protective footwear
	Wear light respiratory protection

#### 1.3.2 Status indicator

The following symbols are used on the product:

	Theft protection indicator
	Drilling performance indicator
	Service indicator

#### 1.3.3 Product-dependent symbols

The following symbols can be used on the product:

	Do not transport by crane
	Equipped with theft protection system
A	Amps
V	Volts
	Alternating current
W	Watts
Hz	Hertz
$n_0$	Rated speed under no load
$\varnothing$	Diameter
mm	Millimeters
/min	Revolutions per minute





	Wireless data transfer
--	------------------------

### 1.4 Information notices

#### On the drill stand, base plate and diamond core drilling machine

	<p>→ <b>On the drill stand and the vacuum base plate</b></p> <p><b>Top:</b> An additional means of securing the drill stand must be employed when the machine is used for horizontal drilling with the vacuum securing method.</p> <p><b>Bottom:</b> Use of the vacuum securing method for overhead drilling with the drill stand is not permissible.</p>
	<p>→ <b>On the diamond core drilling machine</b></p> <p>Use of the water collection system in combination with a wet-type industrial vacuum extractor is mandatory for upward wet drilling.</p>
	<p>→ <b>On the diamond core drilling machine</b></p> <p>Operate the system only with a fully functional PRCD.</p>

### 1.5 Product information

**HILTI** products are designed for professional users and only trained, authorized personnel are permitted to operate, service and maintain the products. This personnel must be specifically informed about the possible hazards. The product and its ancillary equipment can present hazards if used incorrectly by untrained personnel or if used not in accordance with the intended use.

The type designation and serial number are printed on the rating plate.

- ▶ Write down the serial number in the table below. You will be required to state the product details when contacting Hilti Service or your local Hilti organization to inquire about the product.

**Product information**

Diamond core drilling machine	DD 160
Generation:	02
Serial no.:	

### 1.6 Declaration of conformity

We declare, on our sole responsibility, that the product described here complies with the applicable directives and standards. A copy of the declaration issued by the certification department can be found at the end of this documentation.

The technical documentation is filed here:

Hilti Entwicklungsgesellschaft mbH | Tool Certification | Hiltistrasse 6 | 86916 Kaufering, Germany

## 2 Safety

### 2.1 General power tool safety warnings

**⚠ WARNING** Read all safety warnings, instructions, illustrations and specifications provided with this power tool. Failure to follow all instructions listed below may result in electric shock, fire and/or serious injury.



### Save all warnings and instructions for future reference.

The term "power tool" in the warnings refers to your mains-operated (corded) power tool or battery-operated (cordless) power tool.

#### Work area safety

- ▶ **Keep work area clean and well lit.** Cluttered or dark areas invite accidents.
- ▶ **Do not operate power tools in explosive atmospheres, such as in the presence of flammable liquids, gases or dust.** Power tools create sparks which may ignite the dust or fumes.
- ▶ **Keep children and bystanders away while operating a power tool.** Distractions can cause you to lose control.

#### Electrical safety

- ▶ **Power tool plugs must match the outlet. Never modify the plug in any way. Do not use any adapter plugs with earthed (grounded) power tools.** Unmodified plugs and matching outlets will reduce risk of electric shock.
- ▶ **Avoid body contact with earthed or grounded surfaces, such as pipes, radiators, ranges and refrigerators.** There is an increased risk of electric shock if your body is earthed or grounded.
- ▶ **Do not expose power tools to rain or wet conditions.** Water entering a power tool will increase the risk of electric shock.
- ▶ **Do not abuse the cord. Never use the cord for carrying, pulling or unplugging the power tool. Keep cord away from heat, oil, sharp edges or moving parts.** Damaged or entangled cords increase the risk of electric shock.
- ▶ **When operating a power tool outdoors, use an extension cord suitable for outdoor use.** Use of a cord suitable for outdoor use reduces the risk of electric shock.
- ▶ **If operating a power tool in a damp location is unavoidable, use a residual current device (RCD) protected supply.** Use of an RCD reduces the risk of electric shock.

#### Personal safety

- ▶ **Stay alert, watch what you are doing and use common sense when operating a power tool. Do not use a power tool while you are tired or under the influence of drugs, alcohol or medication.** A moment of inattention while operating power tools may result in serious personal injury.
- ▶ **Use personal protective equipment. Always wear eye protection.** Protective equipment such as a dust mask, non-skid safety shoes, hard hat or hearing protection used for appropriate conditions will reduce personal injuries.
- ▶ **Prevent unintentional starting. Ensure the switch is in the off-position before connecting to power source and/or battery pack, picking up or carrying the tool.** Carrying power tools with your finger on the switch or energising power tools that have the switch on invites accidents.
- ▶ **Remove any adjusting key or wrench before turning the power tool on.** A wrench or a key left attached to a rotating part of the power tool may result in personal injury.
- ▶ **Do not overreach. Keep proper footing and balance at all times.** This enables better control of the power tool in unexpected situations.
- ▶ **Dress properly. Do not wear loose clothing or jewellery. Keep your hair and clothing away from moving parts.** Loose clothes, jewellery or long hair can be caught in moving parts.
- ▶ **If devices are provided for the connection of dust extraction and collection facilities, ensure these are connected and properly used.** Use of dust collection can reduce dust-related hazards.
- ▶ **Do not let familiarity gained from frequent use of tools allow you to become complacent and ignore tool safety principles.** A careless action can cause severe injury within a fraction of a second.

#### Power tool use and care

- ▶ **Do not force the power tool. Use the correct power tool for your application.** The correct power tool will do the job better and safer at the rate for which it was designed.
- ▶ **Do not use the power tool if the switch does not turn it on and off.** Any power tool that cannot be controlled with the switch is dangerous and must be repaired.
- ▶ **Disconnect the plug from the power source and/or remove the battery pack, if detachable, from the power tool before making any adjustments, changing accessories, or storing power tools.** Such preventive safety measures reduce the risk of starting the power tool accidentally.
- ▶ **Store idle power tools out of the reach of children and do not allow persons unfamiliar with the power tool or these instructions to operate the power tool.** Power tools are dangerous in the hands of untrained users.
- ▶ **Maintain power tools and accessories. Check for misalignment or binding of moving parts, breakage of parts and any other condition that may affect the power tool's operation. If damaged, have the power tool repaired before use.** Many accidents are caused by poorly maintained power tools.



- ▶ **Keep cutting tools sharp and clean.** Properly maintained cutting tools with sharp cutting edges are less likely to bind and are easier to control.
- ▶ **Use the power tool, accessories and tool bits etc. in accordance with these instructions, taking into account the working conditions and the work to be performed.** Use of the power tool for operations different from those intended could result in a hazardous situation.
- ▶ **Keep handles and grasping surfaces dry, clean and free from oil and grease.** Slippery handles and grasping surfaces do not allow for safe handling and control of the tool in unexpected situations.

#### Service

- ▶ **Have your power tool serviced by a qualified repair person using only identical replacement parts.** This will ensure that the safety of the power tool is maintained.

## 2.2 Diamond drill safety warnings

- ▶ **When performing drilling that requires the use of water, route the water away from the operator's work area or use a liquid collection device.** Such precautionary measures keep the operator's work area dry and reduce the risk of electrical shock.
- ▶ **Operate power tool by insulated grasping surfaces, when performing an operation where the cutting accessory may contact hidden wiring or its own cord.** Cutting accessory contacting a "live" wire may make exposed metal parts of the power tool "live" and could give the operator an electric shock.
- ▶ **Wear hearing protection when diamond drilling.** Exposure to noise can cause hearing loss.
- ▶ **When the bit is jammed, stop applying downward pressure and turn off the tool.** Investigate and take corrective actions to eliminate the cause of the bit jamming.
- ▶ **When restarting a diamond drill in the workpiece check that the bit rotates freely before starting.** If the bit is jammed, it may not start, may overload the tool, or may cause the diamond drill to release from the workpiece.
- ▶ **When securing the drill stand with anchors and fasteners to the workpiece, ensure that the anchoring used is capable of holding and restraining the machine during use.** If the workpiece is weak or porous, the anchor may pull out causing the drill stand to release from the workpiece.
- ▶ **When drilling through walls or ceilings, ensure to protect persons and the work area on the other side.** The bit may extend through the hole or the core may fall out on the other side.
- ▶ **Do not use this tool for overhead drilling with water supply.** Water entering the power tool will increase the risk of electric shock.

## 2.3 Additional safety instructions

### Personal safety

- ▶ **Do not tamper with or attempt to make alterations to the machine.**
- ▶ **The machine is not intended for use by debilitated persons who have received no special training.**
- ▶ Keep the machine out of reach of children.
- ▶ **Do not touch rotating parts. Switch the machine on only after it is in position at the workpiece.** Touching rotating parts, especially rotating accessory tools, can result in injury.
- ▶ **Avoid skin contact with drilling slurry.**
- ▶ Dust from materials such as lead-based paint, certain types of wood and concrete/masonry/stone containing quartz, minerals or metal can be harmful to health. Contact with or inhalation of the dust can cause allergic reactions and/or respiratory or other diseases among operators or bystanders. Certain kinds of dust such as oakwood and beechwood dust are classified as carcinogenic, especially in conjunction with additives for wood conditioning (chromate, wood preservative). Only specialists are permitted to handle material containing asbestos. Use as effective a dust removal system as possible. To achieve a high level of dust collection, use a suitable vacuum extractor of the type recommended by Hilti for wood dust and/or mineral dust and which is designed for use with this power tool. Make sure that the workplace is well ventilated. It is advisable to wear a respirator appropriate for the type of dust generated. Comply with national regulations applicable to the materials you will be working with.
- ▶ The diamond core drilling machine and the diamond core bit are heavy. There is a risk of crushing parts of the body. **The user and persons in the vicinity must wear suitable protective goggles, a hard hat, ear defenders, protective gloves and protective footwear while the machine is in use.**

### Power tool use and care

- ▶ **Make sure that the machine is correctly secured to the drill stand.**
- ▶ **Always make sure that an end stop is installed on the drill stand as otherwise the safety-relevant end-stop function is not implemented.**



- ▶ Ensure that the accessory tools used are compatible with the tool-holder system and that they are correctly secured in the tool holder.

#### Electrical safety

- ▶ Do not use extension cords with multiple power outlets powering two or more devices in operation at the same time.
- ▶ Operate the machine only when it is connected to an adequately rated power supply with a ground conductor.
- ▶ Before beginning work, check the working area (e.g. using a metal detector) to ensure that no concealed electric cables or gas and water pipes are present. External metal parts of the machine can become live, for example if you inadvertently damage electric wiring. This constitutes a serious risk of electric shock.
- ▶ Make sure that the supply cord cannot be damaged as the carriage advances.
- ▶ Never operate the machine without the accompanying PRCD (machines without PRCD: Never operate the machine without an isolating transformer). Test the PRCD each time before use.
- ▶ Check the machine's supply cord at regular intervals and have it replaced by a qualified specialist if found to be damaged. If the machine's supply cord is damaged it must be replaced with a specially prepared and approved supply cord available from Hilti Customer Service. Check extension cords at regular intervals and replace them if found to be damaged. Do not touch the supply cord or extension cord if it is damaged while working. Disconnect the supply cord plug from the power outlet. Damaged supply cords or extension cords present a risk of electric shock.
- ▶ Never operate the machine when it is dirty or wet. Dust (especially dust from conductive materials) or dampness adhering to the surface of the machine may, under unfavorable conditions, lead to electric shock. Dirty or dusty machines should thus be checked by Hilti Service at regular intervals, especially if used frequently for working on conductive materials.

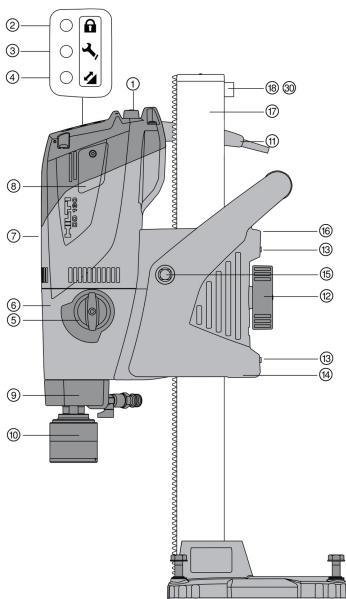
#### Workplace

- ▶ Approval must be obtained from the site engineer or architect prior to beginning drilling work. Drilling work on buildings and other structures may influence the static equilibrium of the structure, especially when steel reinforcing bars or load-bearing components are cut through.
- ▶ If the drill stand has not been fastened correctly, always move the machine mounted on the drill stand all the way down in order to prevent the stand from falling over.
- ▶ Keep the supply cord, extension cord, water hose and vacuum hose away from rotating parts of the machine.
- ▶ Use of the water collection system in conjunction with a wet-type industrial vacuum extractor is a mandatory requirement for wet drilling overhead.
- ▶ Use of the vacuum securing method without an additional means of fastening is prohibited for drilling in an upward direction.
- ▶ An additional means of securing the drill stand must be employed when the machine is secured with the vacuum securing method (accessory) for horizontal drilling.



### 3 Description

#### 3.1 Diamond core drilling machine DD 160-U 1



- ① On/Off switch
- ② Theft protection indicator
- ③ Service indicator
- ④ Drilling performance indicator
- ⑤ Gear selector
- ⑥ Gearing section
- ⑦ Motor
- ⑧ Carbon brush cover
- ⑨ Water swivel
- ⑩ Chuck
- ⑪ Supply cord with PRCD
- ⑫ Carriage lock
- ⑬ Carriage play adjusting screw
- ⑭ Carriage
- ⑮ Hand wheel shaft
- ⑯ Supply cord holder
- ⑰ Drill stand
- ⑱ End stop screw
- ⑳ End stop screw

#### 3.2 Drill stand 2

##### Drill stand with combination base plate

- ⑱ End stop screw
- ⑲ Rail
- ⑳ Vacuum relief valve
- ㉑ Pressure gage
- ㉒ Leveling indicator
- ㉓ Vacuum hose connector
- ㉔ Combination base plate
- ㉕ Grip
- ㉖ Adjusting lever
- ㉗ Hole center indicator
- ㉘ Leveling screw
- ㉙ Vacuum seal

##### Drill stand with anchor base plate

- ⑳ End stop screw
- ㉑ Rail
- ㉒ Base plate (anchors, small)
- ㉓ Leveling screw

#### 3.3 Accessories (optional) 3

- ⑳ Star handle
- ㉑ Lever
- ㉒ Depth gage
- ㉓ Threaded spindle
- ㉔ Column swivel
- ㉕ Wheel assembly
- ㉖ Vacuum base plate

##### Water collection system

- ⑳ Holder
- ㉑ Water collector
- ㉒ Seal

#### 3.4 Intended use

The product described is an electrically powered diamond core drilling machine. It is designed for drilling through-holes and blind holes in (reinforced) mineral base materials using a drill stand and the wet drilling technique. **Hand-held use of the diamond core drilling machine is not permitted.**



The product described is designed for professional use and only trained, authorized personnel are permitted to operate, service and maintain the product. This personnel must be specifically informed about the possible hazards. The product described and its ancillary equipment can present hazards if used incorrectly by untrained personnel or if used not in accordance with the intended use.

- ▶ Always use a drill stand when using the diamond core drilling machine. The drill stand must be sufficiently anchored in the base material by an anchor base plate or vacuum base plate.
- ▶ Do not use a hammer or other heavy object to adjustment the base plate.
- ▶ Operate the machine only when it is connected to a power supply providing a voltage and frequency in compliance with the information given on its type identification plate.
- ▶ Comply with national health and safety requirements.
- ▶ Comply with the safety rules and operating instructions for the accessories used.
- ▶ To reduce the risk of injury, use only genuine **Hilti** core bits and accessories.

### 3.5 Items supplied

Diamond core drilling machine, hand wheel, operating instructions.

The drill stand is supplied as a separate unit. The drill stand is supplied as a separate unit. Other system products approved for use with this product can be found at your local **Hilti Store** or at: [www.hilti.group](http://www.hilti.group)

### 3.6 Drilling performance indicator

The diamond core drilling machine has an LED drilling performance indicator.

Symbol	Status	Meaning
	Orange light	Contact pressure too low
	Green light	Contact pressure ideal
	Red light	Contact pressure too high

### 3.7 Service indicator

The diamond core drilling machine has an LED service indicator.

Symbol	Status	Meaning
	Red light Product running	The carbon brushes are badly worn. End of service interval – servicing is due. You can continue working for a number of hours after the indicator first shows, before automatic cut-out is activated. Bring the product to <b>Hilti Service</b> in good time.
	Red light Product not running	The carbon brushes must be replaced.
	Flashing red light	The diamond core drilling machine has overheard or is damaged. See Troubleshooting.

## 4 Technical data

### 4.1 Product properties

<b>Weight</b>	<b>Anchor base plate</b>	35.9 lb (16.3 kg)
	<b>Combination base plate</b>	42.5 lb (19.3 kg)
<b>Dimensions (L×W×H)</b>	<b>Anchor base plate</b>	15.7 in x 37.2 in x 6.5 in (400 mm x 945 mm x 165 mm)
	<b>Combination base plate</b>	24.0 in x 37.5 in x 9.8 in (610 mm x 952 mm x 250 mm)
<b>Rated speed under no load</b>	<b>1st gear</b>	460 /min
	<b>2nd gear</b>	760 /min



<b>Rated speed under no load</b>	<b>3rd gear</b>	1,690 /min
<b>Protection class</b>	Protection class I (earthed)	
<b>Rated power (at 230 V)</b>	2,200 W	
<b>Max. permissible water supply pressure</b>	73 psi (5 bar)	

#### 4.2 Rated voltage



The product is available with various voltage ratings. Please refer to your product's type identification plate for details of its voltage and input power ratings.

<b>Rated voltage</b>	<b>100 V</b>	<b>110 V GB</b>	<b>110 V TW</b>	<b>120 V</b>	<b>127 V</b>	<b>220 V</b>	<b>230 V</b>	<b>240 V</b>
Rated current input	15 A	16 A	15 A	19.5 A	18.5 A	10 A	10.3 A	9.9 A
AC frequency	50/60 Hz	50/60 Hz	50/60 Hz	60 Hz	50/60 Hz	50/60 Hz	50/60 Hz	50/60 Hz

#### 4.3 Using extension cords

Use only extension cords of a type approved for the application and with conductors of adequate gauge.

**Recommended minimum conductor cross-sections and maximum power cord lengths:**

<b>Conductor cross-section → ↓ Mains (AC) voltage</b>	<b>1.5 mm<sup>2</sup></b>	<b>2.5 mm<sup>2</sup></b>	<b>3.5 mm<sup>2</sup></b>	<b>4.0 mm<sup>2</sup></b>
100 V	Not recommended	Not recommended	25 m	Not recommended
110 V	Not recommended	15 m	Not recommended	30 m
127 V	Not recommended	20 m	Not recommended	35 m
220 V	35 m	65 m	Not recommended	105 m
230 V	40 m	70 m	Not recommended	Not recommended
240 V	40 m	70 m	Not recommended	110 m

#### 4.4 Use of the machine with various items of equipment

<b>Equipment</b>	<b>Core bit diameter</b>	<b>Drilling direction</b>
Without water collection system without dust removal system	1.0 in ... 8.0 in (25 mm ... 202 mm)	Not upwards
With water collection system without dust removal system	1.0 in ... 6.4 in (25 mm ... 162 mm)	Not upwards
With water collection system With dust removal system	1.0 in ... 6.4 in (25 mm ... 162 mm)	All directions

#### 4.5 Gears and corresponding core bit diameters

<b>Gear</b>	<b>Core bit diameter</b>	<b>Idling speed</b>
1	6.0 in ... 8.0 in (152 mm ... 202 mm)	460 /min
2	2.8 in ... 5.6 in (72 mm ... 142 mm)	760 /min



Gear	Core bit diameter	Idling speed
3	1.0 in ... 2.6 in (25 mm ... 67 mm)	1,690 /min

## 5 Preparations at the workplace and starting work

### 5.1 Securing the diamond core drilling machine to the drill stand

#### CAUTION

**Risk of injury** Hazard presented by inadvertent starting of the diamond core drilling machine.

- ▶ The diamond core drilling machine should not be connected to the power supply during set-up.

1. Remove the end stop screw from the end of the rail.
2. Using the opening provided for the purpose, set the diamond core drilling machine on the rail.
3. Lock the diamond core drilling machine by fully tightening the carriage lock.
4. Check that the diamond core drilling machine is locked by lightly turning the hand wheel.
5. Install the end stop on the rail and check that it is secure.



Check carriage play; adjust if necessary.

### 5.2 Fitting the hand wheel on the drill stand



The hand wheel may be fitted on the left-hand or on the right-hand side of the carriage.

1. Pull the black ring back to fit the hand wheel.
2. Fit the hand wheel onto the axle.

### 5.3 Securing the drill stand with an anchor

#### WARNING

**Risk of injury due to use of wrong anchors!** The machine can break loose and cause damage.

- ▶ Use anchors suitable for the material on which you are working and observe the anchor manufacturer's instructions.



**Hilti** metal expansion anchors HKV 16 are usually suitable for use as anchors for diamond core drilling equipment in uncracked concrete. Under certain conditions, however, it may be necessary to use an alternative fastening method. Contact **Hilti** Technical Service if you have questions about secure fastening.

1. Set an anchor that is suitable for the base material. Select the distance to suit the base plate used.

Technical data	
Anchor base plate	10.6 in (270 mm)
Combination base plate	11.4 in (290 mm)

2. Screw the anchor spindle into the anchor.
3. Slip the base plate of the diamond core drilling machine over the spindle and align it.
4. Screw the clamping nut on to the spindle but do not tighten it.
5. Use the leveling screws to level the base plate. Make sure that the leveling screws are firmly seated against the surface.
6. Use a suitable open-end wrench to tighten the clamping nut on the clamping spindle.
7. Make sure that the diamond core drilling machine is secure.





## 5.4 Securing the drill stand by vacuum

### WARNING

#### Risk of injury if pressure is not checked !

- ▶ Before and during drilling, check that the pressure gage pointer remains in the green zone.

In order to use the drill stand with anchor base plate, establish a secure, flat-on-flat connection between vacuum base plate and anchor base plate. Screw the anchor base plate securely to the vacuum base plate. Make sure that the core bit selected for use will not damage the vacuum base plate. If you are going to drill horizontally, use additional means of securing the diamond core drilling machine (e. g. chain secured to anchor).

Before positioning the drill stand, check that you have sufficient space for assembly and operation.

1. Turn all the leveling screws until they project approx. 5 mm underneath the base plate.
2. Connect the vacuum connector on the vacuum base plate to the vacuum pump.
3. Locate the center point of the hole to be drilled. Draw a line from the center of the hole to be drilled in the direction in which the machine is to be positioned.
4. Make a mark on the line at the specified distance from the center of the hole to be drilled.

Technical data	
Combination base plate	11.4 in (290 mm)
Vacuum base plate	11.4 in (290 mm)

5. Switch on the vacuum pump and press and hold down the vacuum release valve.
6. Line up the mark on the base plate with the line.
7. When the diamond core drilling machine is correctly positioned, release the vacuum release valve and press the base plate against the work surface.
8. Use the leveling screws to level the base plate.
9. Make sure that the diamond core drilling machine is secure.

## 5.5 Fastening the drill stand with the threaded spindle

1. Secure the threaded spindle at the top end of the column.
2. Position the drill stand on the work surface.
3. Use the leveling screws to level the base plate.
4. Secure the drill stand with the threaded spindle and tighten the threaded spindle.
5. Check that the drill stand is secure.

## 5.6 Adjusting the drilling angle when using the drill stand with combination base plate

### CAUTION

**Risk of crushing the fingers in the articulation!** Release of the clamping mechanism can result in sudden tip-over of the drill stand.

- ▶ Wear protective gloves.
- ▶ Secure the drill stand against tip-over before releasing the clamping mechanism.

1. At the foot of the drill stand, release the adjusting lever until the sliding nuts are disengaged.
2. Adjust the column to the desired angle.
3. Tighten the adjusting lever until the sliding nuts are fully engaged and the column is again secured in position.



**5.7 Fitting the water connection (accessory)****⚠ ATTENTION**

**Hazard due to incorrect use!** Incorrect use can result in irreparable damage to the hose.

- ▶ Regularly check the hose for damage and make sure that the maximum permissible water supply pressure is not exceeded (see "Technical data").
- ▶ Make sure that the hose does not come into contact with rotating parts.
- ▶ Make sure that the hose is not damaged as the carriage advances.
- ▶ Comply with the maximum water temperature as stated in the section headed Technical data.
- ▶ Check the water supply system to ensure there are no leaks.



To avoid damage to the components, use only fresh water containing no dirt particles.  
A flow meter can be inserted as an accessory between the machine and the water supply.

1. Connect the water flow regulator to the diamond core drilling machine.
2. Connect the water supply (hose connection).

**5.8 installing the water collection system (accessory) ****⚠ WARNING**

**Danger of electric shock!** There is a possibility of water flowing over the motor and cover if the vacuum removal system is faulty.

- ▶ Cease operations immediately if the vacuum removal system is not working.

**CAUTION**

**Risk of injury!** Inadvertent starting of the product.

- ▶ Unplug the supply cord before making adjustments to the power tool or before changing accessories.



For drilling upward, the diamond core drilling machine must be at a 90° angle to the underside of the slab. The water collection system sealing disc must match the diamond core bit diameter.

Use of the water collection system allows water to be led away under control, thus preventing the surrounding area from being heavily soiled.

1. Remove the screw from the drill stand.
2. Install the water collector holder on the drill stand with the screw.
3. Position the water collector, with seal and water collector sealing disc installed, between the two movable arms of the water collector holder.
4. Press the water collector against the work surface by turning the two screws on the water collector holder.
5. Connect a wet-type industrial vacuum extractor to the water collector or establish a hose connection through which the water can drain away.

**5.9 Fitting a diamond core bit in a BI+ chuck ****⚠ CAUTION**

**Risk of injury when changing the tool!** The tool becomes hot as a result of use. It may have sharp edges.

- ▶ Always wear protective gloves when changing the tool.



Diamond core bits must be replaced when the cutting performance and/or rate of drilling progress drops significantly. Generally, this is the case when the segments have worn down to a certain height.

1. Lock the carriage on the rail with the carriage lock. Check to ensure that it is securely fastened.
2. Open the chuck by turning it in the direction of the "Open brackets" symbol.
3. From below, push the diamond core bit into the chuck on the diamond core drilling machine, turning it until the teeth engage.



4. Close the chuck by turning it in the direction of the "Closed brackets" symbol.
5. Check that the diamond core bit is seated securely in the chuck.

### 5.10 Selecting the speed

#### CAUTION

**Risk of wear and tear** Risk of damage to the gearing

- ▶ Do not attempt to change gear while the machine is running. Wait until the arbor comes to a complete stop.
- 
- ▶ While using one hand to turn the core bit, set the switch to the recommended setting.

### 5.11 Removing a diamond core bit from a BI+ chuck

#### CAUTION

**Risk of injury when changing the tool!** The tool becomes hot as a result of use. It may have sharp edges.

- ▶ Always wear protective gloves when changing the tool.
- 
1. Lock the carriage on the rail with the carriage lock. Check to ensure that it is securely fastened.
  2. Open the chuck by turning it in the direction of the "Open brackets" symbol.
  3. Pull the sleeve on the chuck in the direction of the arrow towards the machine. This releases the core bit.
  4. Remove the core bit.

## 6 Operation

### 6.1 Enabling a diamond core drilling machine with (optional) theft protection system (TPS)

The "Theft Protection System" function (TPS) is an option for the DD 160 diamond core drilling machine. If equipped with this feature, the diamond core drilling machine can be unlocked and readied for operation only through use of the corresponding TPS key.

Further detailed information on activation and use of the theft protection system can be found in the operating instructions for the TPS theft protection system.

1. Plug the supply cord of the diamond core drilling machine into the power outlet.
2. Press the "I" or "RESET" button on the portable residual current device (PRCD).
  - ▶ The yellow theft protection indicator LED flashes.
3. Hold the TPS key directly against the lock symbol.
  - ▶ The yellow theft protection indicator LED goes out and the machine is enabled.

If the power supply is interrupted, the diamond core drilling machine remains ready for operation for approximately 20 minutes. If the interruption is longer, the theft protection system has to be deactivated again with the TPS key.

### 6.2 Operating portable residual current device (PRCD)

An isolating transformer must be used for diamond core drilling machines without PRCD.

1. Plug the diamond core drilling machine's mains plug into an earthed/grounded power outlet.
2. Press "I" or "RESET" on the portable residual current device (PRCD).
  - ▶ The drilling performance indicator shows orange.
3. Press "0" or "TEST" on the portable residual current device (PRCD).
  - ▶ The drilling performance indicator goes out.



**⚠ WARNING**

**Risk of injury due to electric shock!** Do not continue operating the diamond core drilling machine if the indicator on the ground fault circuit interrupter does not go out when the **0** or the **TEST** button is pressed.

- ▶ Have your diamond core drilling machine repaired by **Hilti Service**.
- 
4. Press "I" or "RESET" on the portable residual current device (PRCD).
    - ▶ The drilling performance indicator shows orange.

**6.3 Operating diamond core drilling machine without a wet-type industrial vacuum extractor**

1. Slowly open the water flow regulator until the water flows at the desired rate.



The diamond core drilling machine can be operated with or without water collection system. With the water collection system, the cooling water is drained away through a hose, without the water collection system the water runs off in an uncontrolled manner. For operation with water collection system, first install the water collection system 12.

In both applications, upward drilling is not allowed.

2. Push the ON/OFF switch to the "I" position.
3. Release the carriage lock.
4. Turn the hand wheel until the diamond core bit is in contact with the work surface.
5. When you start drilling apply only light pressure until the core bit has centered itself and only then, increase the pressure against the working surface.
6. Observe the drilling performance indicator.



Initially, the drilling performance indicator shows orange. Optimum drilling performance is achieved when the drilling performance indicator shows green. Reduce the pressure against the work surface if the drilling performance indicator shows red.

**6.4 Operating diamond core drilling machine with a wet-type industrial vacuum extractor** **⚠ WARNING**

**Danger of electric shock!** There is a possibility of water flowing over the motor and cover if the vacuum removal system is faulty.

- ▶ Cease operations immediately if the vacuum removal system is not working.
- 
1. Install the water collection system 12 and connect the wet-type industrial vacuum extractor.
  2. Switch on the wet-type industrial vacuum extractor; do not use automatic mode.
  3. Slowly open the water flow regulator until the water flows at the desired rate.
  4. Push the ON/OFF switch to the "I" position.
  5. Release the carriage lock.
  6. Turn the hand wheel until the diamond core bit is in contact with the work surface.
  7. When you start drilling apply only light pressure until the core bit has centered itself and only then, increase the pressure against the working surface.
  8. Observe the drilling performance indicator.



Initially, the drilling performance indicator shows orange. Optimum drilling performance is achieved when the drilling performance indicator shows green. Reduce the pressure against the work surface if the drilling performance indicator shows red.

**6.5 Using the Rota-Rail (column swivel)**

The Rota-Rail allows quick and easy access to the hole or core being drilled, with no need to partly or fully dismantle the system.

**⚠ WARNING**

**Risk of injury caused by incorrect use!** The drill stand can be damaged or it can break.

- ▶ Never use the Rota-Rail as a column extension.
- 
1. Lock the carriage with the carriage lock. Check to ensure that it is securely fastened.
  2. Remove the end stop screw from the rear section of the column.
  3. Secure the Rota-Rail so that the toothed racks are facing the same direction.



4. Tighten the screw on the Rota-Rail.
5. Release the carriage lock and run the carriage on to the Rota-Rail.
6. Slacken the securing screws of the Rota-Rail and pivot the machine with the Rota-Rail to the left or right. This will give you access to the drill hole.
7. Remove the core or change the core bit.
8. With the Rota-Rail, pivot the machine back to its original position and tighten the securing screws of the Rota-Rail.
9. After removing the Rota-Rail, refit the end stop screw to the end of the rail.

## 6.6 Switching off the diamond core drilling machine

### WARNING

**Risk of personal injury and material damage** The diamond core bit fills with water during overhead drilling. The diamond core drilling machine may become damaged and the risk of electric shock is increased.

- ▶ As a first step, carefully allow the water to drain away after completing overhead drilling. This is done by disconnecting the water supply from the water flow regulator and draining the water by opening the water flow regulator. Do not allow the water to run over the motor and cover.

1. Connect the water flow regulator to the diamond core drilling machine.
2. Remove the diamond core bit from the hole.
3. Lock the diamond core drilling machine with the carriage lock.
4. Switch off the diamond core drilling machine.
5. Switch off the wet-type industrial vacuum extractor, if used.

## 6.7 Procedure in the event of the core bit jamming

If the bit jams the safety clutch disengages. The electronic control system then switches the motor off and subsequently on again; this is done twice without manual intervention by the user. If this does not free the core bit, the electronic control system switches the motor off for 90 seconds. You can free a jammed bit manually, as follows:


### 6.7.1 Using an open-end wrench to free the core bit

1. Unplug the supply cord from the power outlet.
2. Grip the diamond core bit with a suitable open-end wrench close to the connection end and turn the diamond core bit to free it.
3. Plug the supply cord into the power outlet.
4. Resume the drilling operation.

### 6.7.2 Using the hand wheel to free the core bit

1. Unplug the supply cord from the power outlet.
2. Free the core bit from the base material by turning the hand wheel.
3. Plug the supply cord into the power outlet.
4. Resume the drilling operation.

## 6.8 Removal of the diamond core drilling machine

1. Unplug the supply cord from the power outlet.
2. Remove the diamond core bit from the BI+ chuck.  13
3. Remove the core, if necessary.
4. Remove the diamond core drilling machine from the working surface.



If you remove the system as a complete unit, after setting it down it is advisable to run the machine all the way down the rail until the core bit is in contact with the floor. This will help prevent the diamond core drilling machine from toppling over.



## 7 Care, transport and storage

### 7.1 Care and maintenance

#### WARNING

**Electric shock hazard!** Attempting care and maintenance with the supply cord connected to a power outlet can lead to severe injury and burns.

- ▶ Always unplug the supply cord before carrying out care and maintenance tasks.

#### Care

- Carefully remove stubborn dirt from the tool.
- Clean the air vents carefully with a dry brush.
- Use only a slightly damp cloth to clean the casing. Do not use cleaning agents containing silicone as they can attack the plastic parts.

#### Maintenance

#### WARNING

**Danger of electric shock!** Improper repairs to electrical components may lead to serious injuries including burns.

- ▶ Repairs to the electrical section of the tool or appliance may be carried out only by trained electrical specialists.
- Check all visible parts and controls for signs of damage at regular intervals and make sure that they all function correctly.
- Do not operate the product if signs of damage are found or if parts malfunction. Have it repaired immediately by **Hilti Service**.
- After cleaning and maintenance, fit all guards or protective devices and check that they function correctly.



To help ensure safe and reliable operation, use only genuine Hilti spare parts and consumables. Spare parts, consumables and accessories approved by Hilti for use with the product can be found at your local **Hilti Store** or online at: [www.hilti.group](http://www.hilti.group).

### 7.2 Care of diamond core drilling machine

- ▶ Do not use a spray, pressure jet washer or running water for cleaning.
  - ▶ Prevent unnecessary exposure of the battery to dust or debris and never subject the battery to soaking moisture (e.g., submerged in water or left out in the rain).
- ▶ Clean the chuck and the clamping segments with a cloth at regular intervals and lubricate the parts with **Hilti** lubricant spray.
- ▶ Remove all particles of foreign matter from the chuck.
- ▶ Occasionally remove the filter from the water inlet in the side handle and flush the filter mesh with water in the direction opposite to the normal water flow.
- ▶ Remove and clean the water flow rate indicator as soon as it is dirty.
  - ▶ Do not use abrasive cleaning agents or sharp objects to clean the sight glass.

### 7.3 Transport and storage

#### Transport

- ▶ Do not transport this product with an accessory tool installed.
- ▶ Make sure that the equipment is held securely throughout all transport operations.
- ▶ After transporting, always check all visible parts and controls for signs of damage and make sure that they all function correctly.

#### Storage

- ▶ Always store this product with the electric supply cable unplugged from the electricity supply.
- ▶ Store this product in a dry place, where it cannot be accessed by children or unauthorized persons.
- ▶ After a long period of storage, always check all visible parts and controls for signs of damage and make sure that they all function correctly.



## 8 Troubleshooting

If the trouble you are experiencing is not listed in this table or you are unable to remedy the problem by yourself, please contact **Hilti Service**.

### 8.1 Troubleshooting table

Trouble or fault	Possible cause	Action to be taken
Diamond core drilling machine does not start	Interruption in the electric supply.	<ul style="list-style-type: none"> <li>▶ Plug in another electric tool or appliance and check whether it works.</li> <li>▶ Check the plug connections, supply cord, power supply line and main supply fuse.</li> </ul>
	The on / off switch is defective.	▶ Have the machine repaired by Hilti Service.
	Interruption in the electric supply	▶ Check the supply cord, extension cord, supply cord plug and PRCD and have them replaced as necessary by a trained electrical specialist.
	Fault in the electronics.	▶ Have the machine repaired by Hilti Service.
	Water in the motor.	▶ Allow the diamond core drilling machine to dry out completely in a warm, dry place.
Service indicator shows	The carbon brush wear limit has almost been reached. The diamond core drilling machine will continue to run for a few hours until it shuts down automatically.	▶ Have the carbon brushes replaced at the next opportunity.
Diamond core drilling machine does not start and service indicator lights up	The carbon brushes are worn out.	▶ Replace the carbon brushes.
Diamond core drilling machine does not start and service indicator flashes	The motor has overheated.	▶ Wait a few minutes until the motor has cooled down or allow the diamond core drilling machine to run under no load in order to speed up the cooling process. Switch the diamond core drilling machine off and then on again.
	Overload error.	▶ Switch the diamond core drilling machine off and then on again.
Diamond core drilling machine does not start and theft protection indicator flashes	The diamond core drilling machine has not been unlocked (machines with optional theft protection system).	▶ Use the TPS key to unlock the diamond core drilling machine.
The diamond core bit doesn't rotate.	The gear selector isn't engaged.	▶ <b>Operate the gear selector until it engages.</b>
	The diamond core bit has become jammed in the base material.	▶ Use an open-end wrench to release the diamond core bit: Disconnect the supply cord plug from the power outlet. Grip the diamond core bit with a suitable open-end wrench close to the connection end and release the diamond core bit by rotating it.



Trouble or fault	Possible cause	Action to be taken
The diamond core bit doesn't rotate.	The diamond core bit has become jammed in the base material.	Stand-guided drilling ▶ Turn the handwheel and try to release the diamond core bit by moving the carriage up and down.
	The gearing is defective.	▶ Have the machine repaired by Hilti Service.
The drilling speed is decreasing.	The diamond core bit is polished.	▶ <b>Sharpen the diamond core bit by drilling into a sharpening plate.</b>
	Wrong core bit specification for the base material.	▶ Select a more suitable diamond core bit specification.
	The water flow rate is too high.	▶ Reduce the water flow rate by adjusting the water flow regulator.
	The core is stuck in the diamond core bit.	▶ Remove the core.
	Maximum drilling depth has been reached.	▶ Remove the core and use a core bit extension.
	The diamond core bit is defective.	▶ Check the diamond core bit for damage and replace it if necessary.
	Safety clutch disengages too soon or is slipping.	▶ Have the machine repaired by Hilti Service.
	The brake has been applied.	▶ Release the brake.
	The water flow rate is too low.	▶ Check the water supply to the diamond core bit or, respectively, increase the water flow by adjusting the water flow regulator.
	High steel content (indicated by clear water containing metal cuttings).	▶ Select a more suitable diamond core bit specification.
	The handwheel can be turned without resistance.	The split pin is broken.
Water escapes at the water swivel or gear housing.	The water pressure is too high.	▶ Reduce the water pressure.
	The rotary shaft seal is worn out.	▶ Replace the rotary shaft seal.
The diamond core bit can't be fitted into the chuck.	The core bit connection end or chuck is dirty or damaged.	▶ Clean and grease the connection end and/or the chuck or replace these parts.

## 9 Disposal

Most of the materials from which **Hilti** tools and appliances are manufactured can be recycled. The materials must be correctly separated before they can be recycled. In many countries, your old tools, machines or appliances can be returned to **Hilti** for recycling. Ask **Hilti** Service or your Hilti representative for further information.



▶ Do not dispose of power tools, electronic equipment or batteries as household waste!

## 10 Manufacturer's warranty

▶ Please contact your local **Hilti** representative if you have questions about the warranty conditions.





# Mode d'emploi original

## 1 Indications relatives au mode d'emploi

### 1.1 À propos de ce mode d'emploi

- **Avertissement !** Il convient de lire et comprendre toute la documentation jointe, y compris, sans s'y limiter, les instructions, avertissements de sécurité, illustration et spécifications fournies avec le présent produit. Prenez connaissance de toutes les instructions, avertissements de sécurité, illustrations, spécifications et fonctions du produit avant de l'utiliser. Tout manquement à cette obligation peut entraîner un choc électrique, un incendie, et/ou des blessures graves. Conservez l'ensemble des avertissements et instructions pour consultation ultérieure.
- Les produits sont destinés aux professionnels et ne doivent être utilisés, entretenus et réparés que par un personnel autorisé et formé. Ce personnel doit être spécialement instruit quant aux dangers inhérents à l'utilisation de l'appareil. Le produit et ses accessoires peuvent s'avérer dangereux s'ils sont utilisés de manière incorrecte par un personnel non qualifié ou de manière non conforme à l'usage prévu.
- La documentation ci-jointe correspond à l'état actuel de la technique à la date d'impression. Veuillez toujours consulter la dernière version sur la page du produit sur le site Internet de Hilti. Pour ce faire, suivez le lien ou scannez le code QR dans la documentation, indiqué par le symbole .
- Ne pas prêter ou céder le produit à un autre utilisateur sans lui fournir le présent mode d'emploi.

### 1.2 Explication des symboles

#### 1.2.1 Avertissements

Les avertissements attirent l'attention sur des dangers liés à l'utilisation du produit. Les termes de signalisation suivants sont utilisés :

**DANGER**

**DANGER !**

- ▶ Pour un danger imminent qui peut entraîner de graves blessures corporelles ou la mort.

**AVERTISSEMENT**

**AVERTISSEMENT !**

- ▶ Pour un danger potentiel qui peut entraîner de graves blessures corporelles ou la mort.

**ATTENTION**

**ATTENTION !**

- ▶ Pour une situation potentiellement dangereuse pouvant entraîner des blessures corporelles ou des dégâts matériels.

#### 1.2.2 Symboles dans la documentation

Les symboles suivants sont utilisés dans la présente documentation :

	Lire le mode d'emploi avant d'utiliser l'appareil
	Pour des conseils d'utilisation et autres informations utiles
	Maniement des matériaux recyclables
	Ne pas jeter les appareils électriques et les accus dans les ordures ménagères

#### 1.2.3 Symboles dans les illustrations

Les symboles suivants sont utilisés dans les illustrations :

<b>2</b>	Ces chiffres renvoient à l'illustration correspondante au début du présent mode d'emploi
<b>3</b>	La numérotation détermine la séquence des étapes de travail dans l'image et peut se différencier de celles des étapes de travail dans le texte



	Les numéros de position sont utilisés dans l'illustration <b>Vue d'ensemble</b> et renvoient aux numéros des légendes dans la section <b>Vue d'ensemble du produit</b>
	Ce signe doit inviter à manier le produit en faisant particulièrement attention.

### 1.3 Symboles sur le produit

#### 1.3.1 Symboles d'obligation

Les symboles d'obligation suivants sont utilisés sur le produit :

	Porter des lunettes de protection
	Porter un casque de protection
	Porter un casque antibruit
	Porter des gants de protection
	Porter des chaussures de protection
	Porter un masque respiratoire léger

#### 1.3.2 Affichage de l'état

Les symboles suivants sont utilisés sur le produit :

	Indicateur de protection contre le vol
	Indicateur de puissance de forage
	Indicateur de maintenance

#### 1.3.3 Symboles spécifiques au produit

Les symboles suivants peuvent être utilisés sur le produit :

	Transport par pont roulant ou grue interdit
	Remarque concernant la protection contre le vol
A	Ampère
V	Volt
	Courant alternatif
W	Watt
Hz	Hertz
$n_0$	Vitesse nominale à vide
$\varnothing$	Diamètre
mm	Millimètre
/min	Tours par minute





Transmission de données sans fil

## 1.4 Plaques indicatrices

### Sur colonne de forage, semelle et carotteuse diamant

	<p>→ <b>Sur la colonne de forage et la fixation par ventouses</b></p> <p><b>En haut :</b> Pour des forages horizontaux avec fixation par ventouses, la colonne de forage ne doit pas être utilisée sans dispositif de sécurité supplémentaire.</p> <p><b>En bas :</b> Les forages effectués au-dessus de la tête avec la colonne de forage ne doivent pas être effectués avec fixation par ventouses.</p>
	<p>→ <b>Sur la carotteuse diamant</b></p> <p>Pour des forages à l'eau sous plafond, le système de récupération d'eau doit impérativement être utilisé avec un aspirateur de liquides.</p>
	<p>→ <b>Sur la carotteuse diamant</b></p> <p>Travailler uniquement avec un disjoncteur PRCD en état de fonctionner.</p>

## 1.5 Informations produit

Les produits sont destinés aux professionnels et ne doivent être utilisés, entretenus et réparés que par un personnel autorisé et formé. Ce personnel doit être spécialement instruit quant aux dangers inhérents à l'utilisation de l'appareil. Le produit et ses accessoires peuvent s'avérer dangereux s'ils sont utilisés de manière incorrecte par un personnel non qualifié ou de manière non conforme à l'usage prévu.

La désignation du modèle et le numéro de série figurent sur sa plaque signalétique.

- ▶ Inscrivez le numéro de série dans le tableau suivant. Les informations produit vous seront demandées lorsque vous contactez nos revendeurs ou services après-vente.

### Caractéristiques produit

carotteuse diamant	DD 160
Génération :	02
N° de série :	

## 1.6 Déclaration de conformité

Nous déclarons sous notre seule et unique responsabilité que le produit décrit ici est conforme aux directives et normes en vigueur. Une copie de l'attestation délivrée par l'organisme de certification se trouve en fin de la présente documentation.

Pour obtenir les documentations techniques, s'adresser à :

Hilti Entwicklungsgesellschaft mbH | Zulassung Geräte | Hiltistraße 6 | 86916 Kaufering, DE



### 2.1 Indications générales de sécurité pour les appareils électriques

**⚠ AVERTISSEMENT Lire toutes les consignes de sécurité et instructions, illustrations et caractéristiques techniques, qui accompagnent cet outil électroportatif.** Tout manquement à l'observation des instructions suivantes risque de provoquer une électrocution, un incendie et/ou de graves blessures.

**Les consignes de sécurité et instructions doivent être intégralement conservées pour les utilisations futures.**

La notion d'« outil électroportatif » mentionnée dans les consignes de sécurité se rapporte à des outils électriques raccordés au secteur (avec câble d'alimentation) et à des outils électriques sur accu (sans câble d'alimentation).

#### Sécurité sur le lieu de travail

- ▶ **Conserver la zone de travail propre et bien éclairée.** Un lieu de travail en désordre ou mal éclairé augmente le risque d'accidents.
- ▶ **Ne pas faire fonctionner les outils électriques en atmosphère explosive et où se trouvent des liquides, des gaz ou poussières inflammables.** Les outils électriques produisent des étincelles qui peuvent enflammer les poussières ou les fumées.
- ▶ **Maintenir les enfants et les personnes présentes à l'écart pendant l'utilisation de l'outil électroportatif.** En cas d'inattention il y a risque de perdre le contrôle de l'appareil.

#### Sécurité relative au système électrique

- ▶ **La fiche de secteur de l'outil électroportatif doit être adaptée à la prise de courant. Ne jamais modifier la fiche de quelque façon que ce soit. Ne pas utiliser d'adaptateurs avec des outils électriques à branchement de terre.** Des fiches non modifiées et des prises de courant adaptées réduiront le risque de choc électrique.
- ▶ **Éviter le contact physique avec des surfaces mises à la terre tels que tuyaux, radiateurs, cuisinières et réfrigérateurs.** Il y a un risque élevé de choc électrique au cas où votre corps serait relié à la terre.
- ▶ **Ne pas exposer les outils électroportatifs à la pluie ou à l'humidité.** La pénétration d'eau à l'intérieur d'un outil électroportatif augmentera le risque d'un choc électrique.
- ▶ **Ne jamais utiliser le câble de raccordement à d'autres fins que celles prévues, telles que pour porter, accrocher ou débrancher l'outil électroportatif de la prise de courant. Maintenir le câble de raccordement à l'écart de la chaleur, des parties grasses, des bords tranchants ou des parties en mouvement.** Des câbles de raccordement endommagés ou emmêlés augmentent le risque de choc électrique.
- ▶ **Si l'outil électroportatif est utilisé à l'extérieur, utiliser uniquement des câbles de rallonge homologués pour les applications extérieures.** L'utilisation d'un câble de rallonge homologué pour les applications extérieures réduit le risque d'un choc électrique.
- ▶ **Si l'utilisation de l'outil électrique dans un environnement humide ne peut pas être évitée, utiliser un interrupteur de protection contre les courants de court-circuit.** L'utilisation d'un tel interrupteur de protection réduit le risque d'une décharge électrique.

#### Sécurité des personnes

- ▶ **Rester vigilant, surveiller ce que l'on fait. Faire preuve de bon sens en utilisant l'outil électroportatif. Ne pas utiliser l'outil électroportatif en étant fatigué ou sous l'emprise de l'alcool, de drogues ou de médicaments.** Un moment d'inattention lors de l'utilisation de l'outil électroportatif peut entraîner des blessures graves.
- ▶ **Utiliser un équipement de protection personnel et toujours porter une protection pour les yeux.** Les équipements de protection personnels tels que masque antipoussière, chaussures de sécurité antidérapantes, casque de protection ou protection acoustique suivant l'utilisation de l'outil électroportatif, réduiront le risque de blessures des personnes.
- ▶ **Éviter une mise en service par mégarde. S'assurer que l'outil électroportatif est arrêté avant de le brancher à la source de courant et/ou à l'accu, de le prendre ou de le porter.** Le fait de porter l'outil électroportatif avec le doigt sur l'interrupteur ou de brancher l'appareil sur la source de courant lorsque l'interrupteur est en position de fonctionnement peut entraîner des accidents.
- ▶ **Retirer tout outil de réglage ou toute clé avant de mettre l'outil électroportatif en fonctionnement.** Une clé ou un outil se trouvant sur une partie en rotation peut causer des blessures.
- ▶ **Adopter une bonne posture. Veiller à toujours garder une position stable et équilibrée.** Cela permet un meilleur contrôle de l'outil électroportatif dans des situations inattendues.
- ▶ **S'habiller de manière adaptée. Ne pas porter de vêtements amples ni de bijoux. Garder les cheveux, les vêtements et les gants à distance des parties en mouvement.** Des vêtements amples, des bijoux ou des cheveux longs peuvent être happés par des parties en mouvement.



- ▶ **Si des dispositifs servant à aspirer ou à recueillir les poussières doivent être utilisés, s'assurer qu'ils sont effectivement raccordés et correctement utilisés.** L'utilisation d'un dispositif d'aspiration de la poussière peut réduire les risques dus aux poussières.
- ▶ **Ne pas sous-estimer les mesures de sécurité à prendre et ne pas ignorer sciemment les règles de sécurité applicables aux outils électriques, même si l'on est utilisateur chevronné après de fréquentes utilisations de l'outil électroportatif.** Un manque d'attention peut conduire à de graves blessures en quelques fractions de seconde.

#### Utilisation et maniemment de l'outil électroportatif

- ▶ **Ne pas forcer l'appareil. Utiliser l'outil électroportatif adapté au travail à effectuer.** Un outil électroportatif approprié réalisera mieux le travail et de manière plus sûre au régime pour lequel il a été conçu.
- ▶ **Ne pas utiliser d'outil électroportatif dont l'interrupteur est défectueux.** Tout outil électroportatif qui ne peut plus être mis en ou hors fonctionnement est dangereux et doit être réparé.
- ▶ **Débrancher la fiche de la prise de courant et/ou l'accu amovible avant d'effectuer des réglages sur l'appareil, de changer les accessoires, ou de ranger l'appareil.** Cette mesure de précaution empêche une mise en fonctionnement par mégarde de l'outil électroportatif.
- ▶ **Conserver les outils électroportatifs non utilisés hors de portée des enfants. Ne permettre l'utilisation de l'appareil à aucune personne qui ne soit pas familiarisée avec celui-ci ou qui n'a pas lu ces instructions.** Les outils électroportatifs sont dangereux lorsqu'ils sont entre les mains de personnes non initiées.
- ▶ **Prendre soin des outils électroportatifs et des accessoires. Vérifier que les parties en mouvement fonctionnent correctement et qu'elles ne sont pas coincées, et contrôler si des parties sont cassées ou endommagées de sorte que le bon fonctionnement de l'outil électroportatif s'en trouve entravé. Faire réparer les parties endommagées avant d'utiliser l'appareil.** De nombreux accidents sont dus à des outils électroportatifs mal entretenus.
- ▶ **Garder les outils de coupe affûtés et propres.** Des outils destinés à couper correctement entretenus avec des arêtes de coupe tranchantes sont moins susceptibles de bloquer et sont plus faciles à contrôler.
- ▶ **L'outil électroportatif, les accessoires, les outils amovibles, etc. doivent être utilisés conformément à ces instructions. Tenir également compte des conditions de travail et du travail à réaliser.** L'utilisation des outils électroportatifs à d'autres fins que celles prévues peut entraîner des situations dangereuses.
- ▶ **Veiller à ce que les poignées et surfaces de préhension soient toujours être sèches, propres et exemptes de traces de graisse ou d'huile.** Avec des poignées et surfaces de préhension glissantes, la sécurité et le contrôle de l'outil électroportatif ne peuvent être assurés dans des situations inopinées.

#### Service

- ▶ **L'outil électroportatif doit uniquement être réparé par un personnel qualifié, utilisant exclusivement des pièces de rechange d'origine.** Ceci permet d'assurer la sécurité de l'outil électroportatif.

## 2.2 Consignes de sécurité pour carotteuses diamant

- ▶ **Lors de la réalisation de travaux de forage qui nécessitent l'utilisation d'eau, diriger l'eau loin de l'espace de travail ou utiliser un dispositif de récupération de liquides.** De telles mesures de sécurité permettent de garder l'espace de travail au sec et réduisent le risque de choc électrique.
- ▶ **Tenir l'outil électroportatif par les surfaces isolées des poignées lors des travaux pendant lesquels l'outil de coupe risque de toucher des câbles électriques cachés ou son propre câble d'alimentation réseau.** Le contact d'un outil de coupe avec un câble conducteur sous tension risque également de mettre sous tension les parties métalliques de l'outil électroportatif et de provoquer un choc électrique.
- ▶ **Lors des travaux de forage au diamant, porter un casque antibruit.** Le bruit peut entraîner des pertes auditives.
- ▶ **Si l'outil amovible est bloqué, arrêter d'avancer et arrêter l'appareil.** Identifier la cause du blocage et l'éliminer pour les outils amovibles bloqués.
- ▶ **Avant de redémarrer une carotteuse diamant qui est bloquée dans la pièce travaillée, vérifier que l'outil amovible n'est pas coincé.** Si l'outil amovible est coincé, il ne peut pas forcément tourner, ce qui peut entraîner une surcharge de l'outil ou le détachement de la carotteuse diamant de la pièce travaillée.
- ▶ **Si la colonne de forage est ancrée sur la pièce travaillée au moyen de brides d'ancrage et de vis, s'assurer que le moyen d'ancrage utilisé suffit pour maintenir la machine en toute sécurité lors de son utilisation.** Si la pièce travaillée n'est pas résistante ou s'avère poreuse, la bride d'ancrage peut être retirée, ce qui provoque le détachement de la colonne de forage de la pièce travaillée.
- ▶ **Lors de forages à travers une paroi ou un plafond, s'assurer que les personnes et l'espace de travail de l'autre côté sont sécurisés.** Il y a en effet risque que la couronne de forage sorte de l'autre côté du trou foré et que la carotte tombe de l'autre côté.



- ▶ **Ne pas utiliser cet outil pour des travaux sous plafond avec une conduite d'alimentation en eau.**  
La pénétration d'eau à l'intérieur d'un outil électroportatif augmente le risque d'un choc électrique.

## 2.3 Consignes de sécurité supplémentaires

### Sécurité des personnes

- ▶ **Toute manipulation ou modification de l'appareil est interdite.**
- ▶ **L'appareil n'est pas destiné à être utilisé par des personnes affaiblies sans encadrement.**
- ▶ L'appareil doit être tenu à l'écart des enfants.
- ▶ **Éviter de toucher des pièces en rotation. Brancher l'appareil uniquement dans l'espace de travail.**  
Le fait de toucher des pièces en rotation, en particulier des outils en rotation, risque d'entraîner des blessures.
- ▶ **Éviter que la peau n'entre en contact avec les boues de forage.**
- ▶ Les poussières de matériaux telles que des peintures contenant du plomb, certains types de bois, du béton / de la maçonnerie / des pierres naturelles qui contiennent du quartz ainsi que des minéraux et des métaux peuvent être nuisibles à la santé. Le contact ou l'aspiration de poussière peut provoquer des réactions allergiques et/ou des maladies respiratoires de l'utilisateur ou de toute personne se trouvant à proximité. Certaines poussières, telles que des poussières de chêne ou de hêtre, sont considérées comme cancérogènes, en particulier lorsqu'elles sont combinées à des additifs destinés au traitement du bois (chromate, produit de protection du bois). Les matériaux contenant de l'amiante doivent uniquement être manipulés par des personnes spécialement formées. Si possible, utiliser un dispositif d'aspiration de poussière. Utiliser un aspirateur mobile pour bois et/ou poussières minérales recommandé par **Hilti**, spécialement étudié pour cet outil électroportatif. Veiller à ce que le poste de travail soit bien ventilé. Il est recommandé de porter un masque antipoussière adapté à la poussière concernée. Respecter les prescriptions locales en vigueur qui s'appliquent aux matériaux travaillés.
- ▶ La carotouse diamant et la couronne diamantée sont lourdes. Il y a risque d'écraser des parties du corps. **Pendant l'utilisation de l'appareil, l'utilisateur et les personnes se trouvant à proximité de l'appareil doivent porter des lunettes de protection adaptées, un casque de protection, un casque antibruit, des gants de protection et des chaussures de sécurité.**

### Utilisation et emploi soigneux de l'outil électroportatif

- ▶ **Vérifier que l'appareil est correctement fixé dans la colonne de forage.**
- ▶ **Veiller à ce qu'une butée d'extrémité soit toujours montée sur la colonne de forage, sans quoi la fonction de butée d'extrémité de sécurité n'est pas assurée.**
- ▶ **Vérifier que les outils sont bien munis du système d'emmanchement adapté à l'appareil et qu'ils sont toujours correctement verrouillés dans le porte-outil.**

### Sécurité relative au système électrique

- ▶ **Les câbles de raccordement avec prises multiples et le fonctionnement simultané de plusieurs appareils doivent être évités.**
- ▶ **L'appareil doit uniquement être activé sur des réseaux avec conducteurs de protection et de dimensionnement suffisant.**
- ▶ **Avant d'entamer le travail, vérifier, par exemple à l'aide d'un détecteur de métaux, qu'il n'y a pas de câbles ou gaines électriques, tuyaux de gaz ou d'eau cachés dans la zone d'intervention.** Toutes pièces métalliques extérieures de l'appareil peuvent devenir conductrices, par exemple, lorsqu'un câble électrique est endommagé par inadvertance. Cela peut entraîner un grave danger d'électrocution.
- ▶ **Veiller à ce que le câble d'alimentation réseau ne soit pas endommagé lorsque le boîtier de guidage avance.**
- ▶ **Ne jamais faire fonctionner l'appareil sans le disjoncteur PRCD fourni (pour les appareils sans PRCD, jamais sans le transformateur de séparation). Contrôler le disjoncteur PRCD avant chaque utilisation.**
- ▶ **Contrôler régulièrement les câbles de raccordement de l'appareil et les faire remplacer par un spécialiste s'ils sont endommagés. Si le câble de raccordement de l'appareil électrique est endommagé, il doit être remplacé par un câble de raccordement spécialement préparé et autorisé, disponible auprès du service après-vente. Contrôler régulièrement les câbles de rallonge et les remplacer s'ils sont endommagés. Si le câble d'alimentation réseau ou de rallonge est endommagé pendant le travail, ne pas le toucher. Débrancher la fiche de la prise. Les cordons d'alimentation et câbles de rallonge endommagés représentent un danger d'électrocution.**
- ▶ **Ne jamais faire fonctionner l'appareil s'il est encrassé ou mouillé.** La poussière accumulée sur les faces de l'appareil, en particulier celle produite par des matériaux conducteurs, ou l'humidité risquent, dans des conditions défavorables, de provoquer une décharge électrique. C'est pourquoi il convient de faire réviser les appareils encrassés par le S.A.V. **Hilti** à intervalles réguliers, surtout s'ils sont utilisés sur des matériaux conducteurs.

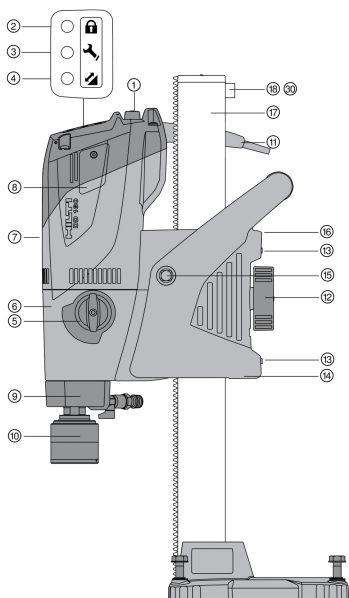


## Place de travail

- ▶ **Faire confirmer les travaux de forage par la direction des travaux.** Les travaux de forage dans des bâtiments et autres structures sont susceptibles de modifier la statique de la construction, en particulier lors d'interventions sur des armatures métalliques ou des éléments porteurs.
- ▶ **Si la colonne de forage n'est pas bien fixée, toujours guider l'appareil monté sur la colonne de forage complètement jusqu'en bas, pour éviter tout basculement.**
- ▶ **Tenir le câble d'alimentation réseau, le câble de rallonge et le tuyau d'aspiration à l'écart des pièces en rotation.**
- ▶ **Pour des forages à eau sous plafond, le système de récupération d'eau doit impérativement être utilisé avec un aspirateur de liquides.**
- ▶ **La fixation par ventouses, sans fixation supplémentaire, est interdite pour tout travail sous plafond.**
- ▶ **Pour des forages horizontaux avec fixation par ventouses (accessoire), la colonne de forage ne doit pas être utilisée sans dispositif de sécurité supplémentaire.**

## 3 Description

### 3.1 Carotteuse diamant DD 160-U 1



- ① Interrupteur Marche / Arrêt
- ② Indicateur de protection contre le vol
- ③ Indicateur de maintenance
- ④ Indicateur de puissance de forage
- ⑤ Variateur de vitesse
- ⑥ Réducteur
- ⑦ Moteur
- ⑧ Couvercle de balais de charbon
- ⑨ Tête d'injection
- ⑩ Porte-outil
- ⑪ Câble d'alimentation réseau avec disjoncteur PRCD
- ⑫ Blocage du boîtier de guidage
- ⑬ Vis de réglage du boîtier de guidage
- ⑭ Boîtier de guidage
- ⑮ Embout de volant
- ⑯ Attache-câble
- ⑰ Montant support
- ⑱ Vis de butée
- ⑳ Vis de butée

### 3.2 Colonne de forage 2

#### Colonne de forage avec semelle combinée

- ⑱ Vis de butée
- ⑲ Rail
- ⑳ Détendeur de pression
- ㉑ Manomètre
- ㉒ Affichage de mise à niveau
- ㉓ Raccord à vide
- ㉔ Semelle combinée
- ㉕ Poignée
- ㉖ Levier de réglage
- ㉗ Indicateur du centre du trou
- ㉘ Vis de mise à niveau
- ㉙ Joint de la semelle-ventouse

#### Colonne de forage avec semelle chevillable

- ⑳ Vis de butée
- ㉑ Rail
- ㉒ Semelle (chevilles, petite)
- ㉓ Vis de mise à niveau



### 3.3 Accessoires (en option)

- |    |                     |    |                               |
|----|---------------------|----|-------------------------------|
| ③4 | Poignée en croix    | ③8 | Élément rotatif de la colonne |
| ③5 | Levier              | ③9 | Train roulant                 |
| ③6 | Butée de profondeur | ④3 | Semelle-ventouse              |
| ③7 | Broche filetée      |    |                               |

#### Système de récupération d'eau

- |    |                     |    |                    |
|----|---------------------|----|--------------------|
| ④0 | Support de maintien | ④2 | Joint d'étanchéité |
| ④1 | Collecteur d'eau    |    |                    |

### 3.4 Utilisation conforme à l'usage prévu

Le produit décrit est une carotteuse diamant électroportative. Il est conçu pour les forages à eau à guidage sur colonne de transpercements et de trous borgnes dans des matériaux supports (armés) de type minéral.

**Une utilisation de la carotteuse diamant en mode guidage manuel n'est pas autorisée.**

Le produit décrit est destiné aux utilisateurs professionnels et ne doit être utilisé, entretenu et réparé que par un personnel agréé, formé à cet effet. Ce personnel doit être au courant des dangers inhérents à l'utilisation de l'appareil. Le produit décrit et ses accessoires peuvent s'avérer dangereux s'ils sont utilisés de manière incorrecte par un personnel non qualifié ou de manière non conforme à l'usage prévu.

- ▶ La carotteuse diamant doit toujours être utilisée avec une colonne de forage. La colonne de forage doit être suffisamment ancrée dans le matériau support par le biais de brides d'ancrage ou d'une semelle-ventouse.
- ▶ Ne pas utiliser d'outil de percussion (marteau) pour la mise en place dans la semelle.
- ▶ L'appareil ne doit fonctionner qu'avec la tension réseau et la fréquence réseau indiquées sur la plaque signalétique.
- ▶ Observer les exigences nationales en matière de sécurité en vigueur.
- ▶ Respecter également les instructions de sécurité et d'utilisation de l'accessoire utilisé.
- ▶ Utiliser uniquement des accessoires et couronnes de forage **Hilti** d'origine, pour éviter tout risque de blessure.


### 3.5 Éléments livrés

carotteuse diamant, volant à main, mode d'emploi.

La colonne de forage est fournie séparément. D'autres produits système pour votre produit peuvent être trouvés dans votre **Hilti Store** ou à l'adresse : [www.hilti.group](http://www.hilti.group)


### 3.6 Indicateur de puissance de forage

La carotteuse diamant est équipée d'un indicateur de puissance de forage avec témoin lumineux.

Symbole	État	Signification
	allumé en orange	Pression d'appui trop faible
	allumé en vert	Pression d'appui optimale
	allumé en rouge	Pression d'appui trop élevée

### 3.7 Indicateur de maintenance

La carotteuse diamant est équipée d'un indicateur de maintenance avec témoin lumineux.

Symbole	État	Signification
	allumé en rouge Le produit fonctionne	Les balais de charbon sont très usés. La durée de fonctionnement pour une maintenance est atteinte. À compter de l'allumage de l'indicateur, l'appareil peut encore être utilisé pendant quelques heures jusqu'à l'arrêt automatique de l'appareil. Apporter le produit en temps voulu au S.A.V. <b>Hilti</b> .





Symbole	État	Signification
	allumé en rouge Le produit ne fonctionne pas	Les balais de charbon doivent être remplacés.
	clignote d'une lumière rouge	Surchauffe ou carotreuse diamant endommagée. Voir Aide en cas de défauts.

## 4 Caractéristiques techniques

### 4.1 Propriétés du produit

<b>Poids</b>	<b>Semelle chevillable</b>	35,9 lb (16,3 kg)
	<b>Semelle combinée</b>	42,5 lb (19,3 kg)
<b>Dimensions (L × l × H)</b>	<b>Semelle chevillable</b>	15,7 in x 37,2 in x 6,5 in (400 mm x 945 mm x 165 mm)
	<b>Semelle combinée</b>	24,0 in x 37,5 in x 9,8 in (610 mm x 952 mm x 250 mm)
<b>Vitesse nominale à vide</b>	<b>1ère vitesse</b>	460 tr/min
	<b>2e vitesse</b>	760 tr/min
	<b>3e vitesse</b>	1.690 tr/min
<b>Classe de protection</b>		Classe de protection I (mise à la terre)
<b>Puissance absorbée de référence (à 230 V)</b>		2.200 W
<b>Pression maximale autorisée dans la conduite d'eau</b>		73 psi (5 bar)

### 4.2 Tension de référence

Le produit est proposé dans différentes tensions nominales. Les données de tension nominale et de consommation de tension nominale de votre produit figurent sur la plaque signalétique.

Tension de référence	100 V	110 V GB	110 V TW	120 V	127 V	220 V	230 V	240 V
Courant nominal	15 A	16 A	15 A	19,5 A	18,5 A	10 A	10,3 A	9,9 A
Fréquence du secteur	50/60 Hz	50/60 Hz	50/60 Hz	60 Hz	50/60 Hz	50/60 Hz	50/60 Hz	50/60 Hz

### 4.3 Utilisation de câbles de rallonge

Utiliser uniquement des câbles de rallonge homologués pour le champ d'action correspondant et de section suffisante.

**Sections minimales recommandées et longueurs maximales de câbles :**

Section du conducteur → ↓ Tension du secteur	1,5 mm <sup>2</sup>	2,5 mm <sup>2</sup>	3,5 mm <sup>2</sup>	4,0 mm <sup>2</sup>
100 V	non recommandé	non recommandé	25 m	non recommandé
110 V	non recommandé	15 m	non recommandé	30 m
127 V	non recommandé	20 m	non recommandé	35 m
220 V	35 m	65 m	non recommandé	105 m
230 V	40 m	70 m	non recommandé	non recommandé



Section du conducteur → ↓ Tension du secteur	1,5 mm <sup>2</sup>	2,5 mm <sup>2</sup>	3,5 mm <sup>2</sup>	4,0 mm <sup>2</sup>
240 V	40 m	70 m	non recommandé	110 m

#### 4.4 Application des différents équipements

Équipement	Diamètre de couronne diamantée	Sens de forage
sans système de récupération d'eau sans aspiration de poussière	1,0 in ... 8,0 in (25 mm ... 202 mm)	Pas vers le haut
avec système de récupération d'eau sans aspiration de poussière	1,0 in ... 6,4 in (25 mm ... 162 mm)	Pas vers le haut
avec système de récupération d'eau avec dispositif d'aspiration de poussière	1,0 in ... 6,4 in (25 mm ... 162 mm)	Tous les sens

#### 4.5 Vitesses et diamètres de couronne de forage correspondants

Vitesse	Diamètre de couronne diamantée	Vitesse de rotation à vide
1	6,0 in ... 8,0 in (152 mm ... 202 mm)	460 tr/min
2	2,8 in ... 5,6 in (72 mm ... 142 mm)	760 tr/min
3	1,0 in ... 2,6 in (25 mm ... 67 mm)	1.690 tr/min

## 5 Mise en service et préparatifs pour le travail

### 5.1 Fixation de la carotteuse diamant sur la colonne de forage

#### ATTENTION

**Risque de blessures** Danger de la part d'une mise en marche inopinée de la carotteuse diamant.

- ▶ Pendant le changement d'équipement, la carotteuse diamant ne doit pas être branchée au réseau électrique.

1. Enlever la vis de butée de la partie arrière de la crémaillère.
2. Placer la carotteuse diamant au-dessus de l'orifice prévu sur la crémaillère.
3. Bloquer la carotteuse diamant en resserrant complètement le dispositif de blocage du boîtier de guidage.
4. S'assurer de la bonne fixation de la carotteuse diamant en tournant légèrement le volant à main.
5. Monter la butée d'extrémité sur la crémaillère et vérifier qu'elle est bien fixée.



Vérifier le jeu du boîtier de guidage et le régler si nécessaire.

### 5.2 Montage du volant à main sur la colonne de forage



Le volant peut être monté sur le côté gauche ou le côté droit du boîtier de guidage.

1. Pour monter le volant à main, tirer l'anneau noir en arrière.
2. Enficher le volant sur l'axe.



### 5.3 Fixation de la colonne de forage avec bride d'ancrage 5

#### AVERTISSEMENT

**Risque de blessures entraînées par l'utilisation d'une bride d'ancrage inappropriée !** L'appareil risque de se détacher et de provoquer des dommages.

- ▶ Utiliser la cheville adaptée au matériau support et observer les instructions de montage du fabricant de chevilles.

Les chevilles expansibles métalliques HKV 16 **Hilti** conviennent habituellement pour les fixations courantes de l'équipement carotteuse diamant dans du béton non fissuré. Néanmoins, dans certaines conditions, une fixation alternative peut s'avérer nécessaire. Pour toutes questions quant à la fixation la plus sûre, s'adresser au service technique de **Hilti**.

1. Utiliser la bride d'ancrage adaptée au matériau support correspondant. Choisir la distance appropriée par rapport à la semelle utilisée.

Caractéristiques techniques	
Semelle chevillable	10,6 in (270 mm)
Semelle combinée	11,4 in (290 mm)

2. Visser la broche de serrage dans la bride.
3. Placer la semelle de la carotteuse diamant au-dessus de la broche et l'ajuster.
4. Visser l'écrou tendeur sur la broche sans serrer.
5. Mettre la semelle à niveau à l'aide des vis de mise à niveau. S'assurer que les vis de mise à niveau sont bien ancrées dans le matériau support.
6. Serrer l'écrou tendeur sur la broche de serrage à l'aide d'une clé à fourche appropriée.
7. S'assurer que la carotteuse diamant est fixée de manière sûre.

### 5.4 Fixation de la colonne de forage avec une semelle-ventouse 7

#### AVERTISSEMENT

**Risque de blessures en cas d'absence de contrôle de la pression !**

- ▶ Avant et en cours de forage, veiller à ce que l'indicateur du manomètre se trouve dans la zone verte.

Si la colonne de forage est utilisée avec une plaque d'ancrage chevillable, vérifier qu'il y a une liaison ferme et plane entre la semelle-ventouse et la plaque d'ancrage chevillable. Visser la plaque d'ancrage chevillable sur la semelle-ventouse. S'assurer que la couronne diamantée choisie n'endommage pas la semelle-ventouse.  
Pour les forages horizontaux, sécuriser la fixation de la carotteuse diamant (par ex. chaîne avec bride d'ancrage).

Avant de positionner la colonne de forage, vérifier qu'il y a suffisamment d'espace disponible pour le montage et l'utilisation.

1. Tourner toutes les vis de mise à niveau de sorte qu'elles dépassent 5 mm environ sous la semelle.
2. Fixer les raccords à vide de la semelle-ventouse à l'aide de la pompe à vide.
3. Déterminer le centre du trou de forage. Tirer une ligne à partir du centre du trou de forage dans la direction prévue pour l'appareil.
4. Placer un repère à la distance indiquée du centre du trou de forage sur la ligne.

Caractéristiques techniques	
Semelle combinée	11,4 in (290 mm)
Semelle-ventouse	11,4 in (290 mm)



5. Mettre la pompe à vide en marche, appuyer sur le détenteur de pression et le maintenir enfoncé.
6. Ajuster le repère de la semelle sur la ligne.
7. Lorsque la carotteuse diamant est positionnée correctement, relâcher le détenteur de pression et appuyer la semelle contre le matériau support.
8. Mettre la semelle à niveau à l'aide des vis de mise à niveau.
9. S'assurer que la carotteuse diamant est fixée de manière sûre.

### 5.5 Fixation de la colonne de forage avec une broche fileté

1. Fixer la broche fileté à l'extrémité supérieure de la colonne.
2. Positionner la colonne de forage sur le matériau support.
3. Mettre la semelle à niveau à l'aide des vis de mise à niveau.
4. Tendrer la colonne de forage avec la broche fileté et la contrer.
5. S'assurer de la bonne fixation de la colonne de forage.

### 5.6 Réglage de l'angle de forage sur la colonne à l'aide de la semelle combinée

#### ATTENTION

**Risque d'écrasement des doigts dans la zone d'articulation !** Le desserrage du mécanisme de serrage peut entraîner un basculement abrupt de la colonne de forage.

- ▶ Porter des gants de protection.
  - ▶ Avant de desserrer le mécanisme de serrage, sécuriser la colonne de forage pour l'empêcher de basculer.
1. Desserrer le levier de réglage en bas de la colonne de forage jusqu'au déverrouillage des éléments de positionnement.
  2. Placer la colonne dans la position choisie.
  3. Actionner le levier de réglage jusqu'au déverrouillage complet des éléments de positionnement et reblocage de la colonne.

### 5.7 Installation du raccordement d'eau (accessoire)

#### ATTENTION

**Mise en danger en cas d'utilisation incorrecte !** Le flexible risque d'être endommagé en cas d'utilisation incorrecte.

- ▶ Contrôler régulièrement le flexible afin de vérifier qu'il n'est pas endommagé et s'assurer que la pression maximale autorisée n'est pas dépassée dans la conduite d'eau (voir Caractéristiques techniques).
- ▶ Veiller à ce que le flexible n'entre pas en contact avec des pièces en rotation.
- ▶ Veiller à ce que le flexible ne soit pas endommagé lorsque le boîtier de guidage avance.
- ▶ Tenir compte des indications relatives à la température maximale de l'eau au chapitre Caractéristiques techniques.
- ▶ Vérifier que le système à eau raccordé est bien étanche.



Utiliser uniquement de l'eau claire ou de l'eau exempte de particules de saleté pour éviter d'endommager les composants.

En tant qu'accessoire, un indicateur de débit peut être monté entre l'appareil et la conduite d'alimentation en eau.

1. Raccorder le dispositif de régulation du débit d'eau à la carotteuse diamant.
2. Établir le branchement avec la conduite d'alimentation en eau (raccord d'entrée du flexible).

### 5.8 Montage du système de récupération d'eau (accessoire)

#### AVERTISSEMENT

**Danger d'électrocution !** En cas d'aspiration défectueuse, de l'eau peut s'écouler au-dessus du moteur et du couvercle !

- ▶ Interrompre immédiatement le travail si l'aspiration ne fonctionne plus.



**⚠ ATTENTION**

**Risque de blessures !** Mise en marche inopinée du produit.

- ▶ Retirer la fiche de la prise avant d'effectuer des réglages sur l'appareil ou de changer les accessoires.



En cas de forage vers le haut, la carotteuse diamant doit être à un angle de 90° par rapport au plafond. L'anneau d'étanchéité du système de récupération d'eau doit être adapté au diamètre de la couronne diamantée.

L'utilisation d'un système de récupération d'eau permet d'évacuer l'eau de manière ciblée et d'éviter de salir l'environnement de travail.

1. Retirer la vis sur la colonne de forage.
2. Monter le support du collecteur d'eau avec la vis sur la colonne de forage.
3. Mettre en place le collecteur d'eau entre les deux bras mobiles du support du collecteur d'eau, avec joint d'étanchéité et anneau d'étanchéité du système de récupération montés.
4. Fixer le collecteur d'eau à l'aide des deux vis sur le support du collecteur d'eau contre le matériau support.
5. Raccorder un aspirateur de liquides au collecteur d'eau ou raccorder un tuyau afin de permettre l'évacuation de l'eau.

**5.9 Montage de la couronne diamantée avec le porte-outil BI+**

**⚠ ATTENTION**

**Risque de blessures lors du remplacement des outils !** Après utilisation, l'outil peut être très chaud. Il peut présenter des bords tranchants.

- ▶ Toujours porter des gants lors du remplacement des outils.



Les couronnes diamantées doivent être remplacées, sitôt que les performances de tronçonnage ou la progression de forage sont nettement réduites. C'est généralement le cas lorsque les segments diamantés sont usés à une certaine hauteur.

1. Bloquer le boîtier de guidage sur la crémaillère à l'aide du dispositif de blocage du boîtier de guidage. S'assurer que le système est fixé de manière sûre.
2. Ouvrir le porte-outil en tournant dans le sens du symbole "Étrier ouvert".
3. Insérer la couronne diamantée par le bas sur la denture du porte-outil de la carotteuse diamant et la tourner, jusqu'à ce qu'elle s'encliquette.
4. Fermer le porte-outil en tournant dans le sens du symbole "Étrier fermé".
5. Vérifier que la couronne diamantée est bien en place dans le porte-outil.

**5.10 Sélection de la vitesse de rotation**

**⚠ ATTENTION**

**Risque d'usure** Risque d'endommagement du mécanisme de transmission

- ▶ Ne pas mettre en service. Attendre jusqu'à ce que la broche soit immobilisée.
- ▶ Tourner le commutateur tout en tournant la couronne diamantée à la main, jusqu'à la position recommandée.

**5.11 Démontage de la couronne diamantée avec le porte-outil BI+**

**⚠ ATTENTION**

**Risque de blessures lors du remplacement des outils !** Après utilisation, l'outil peut être très chaud. Il peut présenter des bords tranchants.

- ▶ Toujours porter des gants lors du remplacement des outils.

1. Bloquer le boîtier de guidage sur la crémaillère à l'aide du dispositif de blocage du boîtier de guidage. S'assurer que le système est fixé de manière sûre.
2. Ouvrir le porte-outil en tournant dans le sens du symbole "Étrier ouvert".




3. Tirer la douille du mandrin sur le porte-outil dans le sens de la flèche vers l'appareil. Ceci permet de déverrouiller la couronne diamantée.
4. Enlever la couronne diamantée.


## 6 Utilisation

### 6.1 Déblocage de la carotteuse diamant avec protection contre le vol TPS (en option)


En option, la carotteuse diamant DD 160 peut être équipée de la fonction « Protection contre le vol ». Si la carotteuse diamant est équipée de cette fonction, elle peut uniquement être déblocuée et exploitée avec la clé de déblocage prévue à cet effet.

 Vous trouverez de plus amples informations sur l'activation et l'utilisation de la protection contre le vol dans le mode d'emploi « Protection contre le vol TPS ».

1. Brancher la fiche d'alimentation de la carotteuse diamant dans la prise.
2. Appuyer sur la touche **I** ou **RESET** sur le disjoncteur à tension nulle PRCD.
  - ▶ Le voyant jaune de protection contre le vol clignote.
3. Mettre la clé de déblocage directement sur le symbole Verrou.
  - ▶ Le voyant jaune de protection contre le vol s'éteint et l'appareil est déblocuée.

 Si l'alimentation électrique est coupée, la carotteuse diamant reste déblocuée pendant environ 20 minutes. En cas d'interruption prolongée, la protection contre le vol doit être à nouveau désactivée à l'aide de la clé de déblocage.

### 6.2 Activation du disjoncteur à tension nulle PRCD

 Pour les carotteuses diamant sans PRCD, un transformateur de séparation doit être utilisé.

1. Insérer la fiche d'alimentation de la carotteuse diamant dans une prise terre.
2. Appuyer sur la touche « I » ou « RESET » sur le disjoncteur à tension nulle PRCD.
  - ▶ L'indicateur de puissance de forage s'allume en orange.
3. Appuyer sur la touche « 0 » ou « TEST » sur le disjoncteur à tension nulle PRCD.
  - ▶ L'indicateur de puissance de forage s'éteint.



#### AVERTISSEMENT

**Risque de blessures entraîné par électrocution !** Si l'affichage du conducteur de protection contre les courants de défaut ne disparaît pas en appuyant sur la touche **0** resp. **TEST**, la carotteuse diamant ne doit plus être utilisée !

- ▶ Faire réparer la carotteuse diamant par le S.A.V. **Hilti**.
4. Appuyer sur la touche « I » ou « RESET » sur le disjoncteur à tension nulle PRCD.
    - ▶ L'indicateur de puissance de forage s'allume en orange.

### 6.3 Utilisation de la carotteuse diamant sans aspirateur de liquides

1. Ouvrir lentement le dispositif de régulation du débit d'eau jusqu'à ce que la quantité d'eau souhaitée coule.

 La carotteuse diamant peut être utilisée avec et sans système de récupération d'eau. Avec système de récupération d'eau, l'eau de forage est évacuée par le biais d'un tuyau flexible, sans système de récupération d'eau, l'eau s'écoule de manière incontrôlée. En cas de fonctionnement avec système de récupération d'eau, monter d'abord le système de récupération d'eau  30. Dans les deux applications, il est interdit de forer vers le haut.

2. Appuyer sur l'interrupteur Marche / Arrêt "I".
3. Ouvrir le dispositif de blocage du boîtier de guidage.
4. À l'aide du volant, tourner la couronne diamantée jusqu'au matériau support.
5. Exercer une pression légère au début du forage le temps que la couronne de forage se centre puis augmenter la pression d'appui.



## 6. Tenir compte de l'indicateur de puissance de forage.

Au début, l'indicateur de puissance de forage s'allume en orange. La puissance de forage idéale est atteinte lorsque l'indicateur de puissance de forage s'allume en vert. Réduire la puissance de forage si l'indicateur de puissance de forage passe au rouge.

### 6.4 Utilisation de la carotteuse diamant avec un aspirateur de liquides

#### AVERTISSEMENT

**Danger d'électrocution !** En cas d'aspiration défectueuse, de l'eau peut s'écouler au-dessus du moteur et du couvercle !

► Interrompre immédiatement le travail si l'aspiration ne fonctionne plus.

1. Monter le système de récupération d'eau 30 et raccorder l'aspirateur de liquides.
2. Mettre l'aspirateur de liquides en marche, ne pas utiliser le mode automatique.
3. Ouvrir lentement le dispositif de régulation du débit d'eau jusqu'à ce que la quantité d'eau souhaitée coule.
4. Appuyer sur l'interrupteur Marche / Arrêt "I".
5. Ouvrir le dispositif de blocage du boîtier de guidage.
6. À l'aide du volant, tourner la couronne diamantée jusqu'au matériau support.
7. Exercer une pression légère au début du forage le temps que la couronne de forage se centre puis augmenter la pression d'appui.
8. Tenir compte de l'indicateur de puissance de forage.

Au début, l'indicateur de puissance de forage s'allume en orange. La puissance de forage idéale est atteinte lorsque l'indicateur de puissance de forage s'allume en vert. Réduire la puissance de forage si l'indicateur de puissance de forage passe au rouge.

### 6.5 Utilisation du Rota-Rail (élément rotatif de la colonne)

Le Rota-Rail permet d'accéder rapidement et facilement au trou ou à la carotte de forage, sans qu'il soit nécessaire de démonter partiellement ou complètement le système.

#### AVERTISSEMENT

**Risque de blessures en cas d'utilisation non conforme !** La colonne de forage peut être endommagée ou se rompre.

► Ne jamais utiliser le rail Rota comme rallonge de colonne.

1. Bloquer le boîtier de guidage sur la crémaillère à l'aide du dispositif de blocage du boîtier de guidage. S'assurer que le système est fixé de manière sûre.
2. Retirer la vis de butée de la partie arrière de la colonne.
3. Fixer le Rota-Rail de sorte que les crémaillères soient orientées dans la même direction.
4. Serrer la vis du Rota-Rail à fond.
5. Desserrer le dispositif de blocage du boîtier de guidage et déplacer le boîtier de guidage en direction du Rota-Rail.
6. Desserrer les vis de fixation du Rota-Rail et tourner l'appareil avec le Rota-Rail vers la gauche ou la droite. Ceci permet un accès au trou de forage.
7. Enlever la carotte de forage ou remplacer la couronne diamantée.
8. Retourner l'appareil avec le Rota-Rail dans la position initiale et serrer les vis de fixation du Rota-Rail à fond. Revenir en arrière avec l'appareil sur la colonne du support de forage pour pouvoir continuer le travail.
9. Après le démontage du Rota-Rail, refixer la vis de butée sur la partie arrière de la colonne.



## 6.6 Mise en arrêt de la carotteuse diamant

### AVERTISSEMENT

**Danger pour les personnes et le matériel** Lors de forages effectués sous plafond, la couronne diamantée se remplit d'eau. La carotteuse diamant peut être endommagée et le risque de choc électrique est accru.

- ▶ À la fin d'un forage vers le haut, avant de poursuivre, laisser l'eau s'écouler avec précaution. Débrancher le tuyau d'arrivée d'eau sur le dispositif de régulation du débit d'eau et ouvrir le dispositif de régulation du débit d'eau pour laisser l'eau s'écouler. L'eau ne doit cependant pas couler sur l'unité moteur et le couvercle.

1. Raccorder le dispositif de régulation du débit d'eau à la carotteuse diamant.
2. Tirer la couronne diamantée hors du trou de forage.
3. Bloquer la carotteuse diamant à l'aide du dispositif de blocage du boîtier de guidage.
4. Arrêter la carotteuse diamant.
5. Le cas échéant, arrêter l'aspirateur de liquides.

## 6.7 Étapes de travail en cas de coincement de la couronne de forage

Si la couronne de forage est coincée, l'accouplement à friction se désengage d'abord. Le système électronique coupe ensuite le moteur et en l'absence de l'intervention manuelle de l'utilisateur, se remet deux fois automatiquement en marche. Si cela ne permet pas de remédier au blocage, le système électronique coupe le moteur pendant 90 secondes. Il est possible de remédier manuellement au blocage de la manière suivante :


### 6.7.1 Desserrage de la couronne de forage à l'aide d'une clé à fourche

1. Débrancher la fiche de la prise.
2. Saisir la couronne diamantée près de l'emmanchement à l'aide d'une clé à fourche appropriée et desserrer la couronne diamantée en la tournant.
3. Brancher la fiche dans la prise.
4. Poursuivre le processus de forage.

### 6.7.2 Desserrage de la couronne de forage à l'aide du volant

1. Débrancher la fiche de la prise.
2. Desserrer la couronne de forage à l'aide du volant hors du matériau support.
3. Brancher la fiche dans la prise.
4. Poursuivre le processus de forage.

## 6.8 Démontage de la carotteuse diamant

1. Débrancher la fiche de la prise.
2. Démontez la couronne diamantée avec le porte-outil BI+  31
3. Le cas échéant, enlever la carotte.
4. Démontez la carotteuse diamant pour l'enlever du support.



Si le système est démonté d'une pièce, il est recommandé, après avoir arrêté l'appareil, de descendre ce dernier complètement vers le bas jusqu'à ce que la couronne de forage touche le matériau support. Ceci permet d'éviter que la carotteuse diamant ne tombe.

## 7 Entretien, transport et entreposage

### 7.1 Nettoyage et entretien

#### AVERTISSEMENT

**Danger d'électrocution !** Les travaux de nettoyage et d'entretien effectués avec fiche branchée à la prise peuvent entraîner de graves blessures ou brûlures.

- ▶ Toujours retirer la fiche de la prise avant tous travaux de nettoyage et d'entretien !

#### Nettoyage

- Éliminer prudemment les saletés récalcitrantes.





- Nettoyer les ouïes d'aération avec précaution au moyen d'une brosse sèche.
- Nettoyer le boîtier uniquement avec un chiffon légèrement humidifié. Ne pas utiliser de nettoyeurs à base de silicone, ceci pourrait attaquer les pièces en plastique.

## Entretien



### AVERTISSEMENT

**Risque d'électrocution !** Des réparations inappropriées sur des composants électriques peuvent entraîner de graves blessures corporelles et brûlures.

- ▶ Toute réparation des pièces électriques ne doit être effectuée que par un électricien qualifié.
- 
- Vérifier régulièrement qu'aucune pièce visible n'est endommagée et que les organes de commande sont parfaitement opérationnels.
  - En cas d'endommagements et/ou de dysfonctionnements, ne pas utiliser le produit. Le faire immédiatement réparer par le S.A.V. **Hilti**.
  - Après des travaux de nettoyage et d'entretien, vérifier si tous les équipements de protection sont bien en place et fonctionnent parfaitement.



Pour une utilisation en toute sécurité, utiliser uniquement des pièces de rechange et consommables d'origine. Vous trouverez les pièces de rechange, consommables et accessoires autorisés convenant pour votre produit dans le centre **Hilti Store** ou sous : [www.hilti.group](http://www.hilti.group).

## 7.2 Entretien de la carotteuse diamant

- ▶ Ne pas utiliser d'appareil diffuseur, d'appareil à jet de vapeur ou d'eau courante pour le nettoyage !
  - ▶ Éviter toute pénétration de corps étrangers à l'intérieur.
- ▶ Nettoyer régulièrement le porte-outil et les éléments de serrage avec un chiffon de nettoyage et les graisser avec le spray **Hilti**.
- ▶ Sortir les particules de saletés se trouvant dans le porte-outil.
- ▶ Enlever de temps à autre le filtre dans l'arrivée d'eau de la poignée latérale et rincer l'élément filtrant à l'eau dans le sens inverse de l'écoulement.
- ▶ Démontez et nettoyez le débitmètre indicateur de passage d'eau dès qu'il est encrassé.
  - ▶ Ne pas utiliser de produits abrasifs ni d'objets à angles vifs pour nettoyer le verre-regard !

## 7.3 Transport et entreposage

### Transport

- ▶ Ne jamais transporter ce produit avec outil monté.
- ▶ Veiller à le tenir fermement pendant le transport.
- ▶ Vérifier après chaque transport qu'aucune pièce visible n'est endommagée et que les organes de commande sont parfaitement opérationnels.

### Stockage

- ▶ Toujours stocker l'appareil avec la fiche secteur débranchée.
- ▶ Stocker cet appareil à l'état sec hors de portée des enfants et des personnes non autorisées.
- ▶ Vérifier après un stockage prolongé qu'aucune pièce visible n'est endommagée et que les organes de commande sont parfaitement opérationnels.

## 8 Aide au dépannage

En cas de défaillances non énumérées dans ce tableau ou auxquelles il n'est pas possible de remédier sans aide, contacter le S.A.V. **Hilti**.

### 8.1 Tableau des défaillances

Défaillance	Causes possibles	Solution
La carotteuse diamant ne fonctionne pas	L'alimentation réseau est coupée.	<ul style="list-style-type: none"> <li>▶ Brancher un autre appareil électrique et vérifier s'il fonctionne.</li> <li>▶ Contrôler les fiches de raccordement, le câble d'alimentation secteur, le câble électrique et le fusible de secteur.</li> </ul>



Défaillance	Causes possibles	Solution
La carotteuse diamant ne fonctionne pas	Interrupteur Marche / Arrêt défectueux.	► Faire réparer l'appareil par le S.A.V. Hilti.
	Alimentation électrique interrompue	► Contrôler le câble d'alimentation réseau, le câble de rallonge, la fiche d'alimentation et le disjoncteur PRCD et, si nécessaire, les faire remplacer par un électricien spécialisé.
	Système électronique défectueux.	► Faire réparer l'appareil par le S.A.V. Hilti.
	Présence d'eau dans le moteur.	► Laisser complètement sécher la carotteuse au diamant dans un endroit chaud et sec.
L'indicateur de maintenance est allumé	Le seuil d'usure des balais de charbon est presque atteint. Le temps de fonctionnement restant jusqu'à l'arrêt automatique de la carotteuse au diamant est encore de quelques heures.	► Faire remplacer les balais de charbon à la prochaine occasion.
La carotteuse diamant ne fonctionne pas et l'indicateur de maintenance est allumé	Balais de charbon usés.	► Remplacer les balais de charbon.
La carotteuse diamant ne fonctionne pas et l'indicateur de maintenance clignote	Surchauffe du moteur.	► Attendre quelques minutes le temps que le moteur refroidisse, ou laisser tourner à vide la carotteuse au diamant pour accélérer le refroidissement. Arrêter puis remettre la carotteuse au diamant en marche.
	Problème de surcharge.	► Arrêter puis remettre la carotteuse au diamant en marche.
La carotteuse diamant ne fonctionne pas et l'indicateur de protection contre le vol clignote	Carotteuse au diamant non débloquée (sur les carotteuses au diamant avec protection antivol, en option).	► Débloquer la carotteuse au diamant à l'aide de la clé de déblocage.
La couronne diamantée ne tourne pas.	Variateur de vitesse non enclenché.	► <b>Actionner le variateur de vitesse jusqu'à ce qu'il soit enclenché.</b>
	La couronne de forage diamantée est coincée dans le matériau support.	► Desserrage de la couronne de forage diamantée à l'aide d'une clé à fourche : Débrancher la fiche de la prise. Saisir la couronne de forage diamantée près de l'emmanchement à l'aide d'une clé à fourche appropriée et desserrer la couronne de forage diamantée en la tournant.
		Forage à l'aide du boîtier de guidage
	Réducteur défectueux.	► Faire réparer l'appareil par le S.A.V. Hilti.



Défaillance	Causes possibles	Solution
La vitesse de forage diminue.	Couronne de forage diamantée polie.	► <b>Affûter la couronne de forage diamantée sur un banc d'affûtage.</b>
	Spécification erronée du matériau support.	► Choisir une spécification de couronne diamantée plus en adéquation.
	Quantité d'eau trop élevée.	► Réduire la quantité d'eau au moyen du dispositif de régulation du débit d'eau.
	Carotte coincée dans la couronne de forage diamantée.	► Retirer la carotte.
	Profondeur de forage maximale atteinte.	► Retirer la carotte et utiliser une rallonge de couronne de forage.
	Couronne de forage diamantée défectueuse.	► Vérifier que la couronne de forage diamantée n'est pas endommagée et la remplacer le cas échéant.
	L'accouplement à friction se désengage trop tôt ou glisse.	► Faire réparer l'appareil par le S.A.V. Hilti.
	Dispositif de blocage serré.	► Desserrer le dispositif de blocage.
	Quantité d'eau insuffisante.	► Contrôler l'arrivée d'eau vers la couronne de forage diamantée resp. augmenter la quantité d'eau au moyen du dispositif de régulation du débit d'eau.
	Forte proportion d'acier (reconnaissable à l'eau claire mêlée à des copeaux métalliques).	► Choisir une spécification de couronne diamantée plus en adéquation.
Le volant à main se laisse tourner sans opposer de résistance.	Goupille cassée.	► Remplacer la goupille.
De l'eau sort de la tête d'injection ou du boîtier d'engrenage.	Pression d'eau trop élevée.	► Réduire la pression d'eau.
	Anneau d'étanchéité usé.	► Remplacer l'anneau d'étanchéité.
Impossible d'insérer la couronne de forage diamantée dans le porte-outil.	Emmanchement / porte-outil encrassé ou endommagé.	► Nettoyer l'emmanchement resp. le porte-outil, le graisser ou le remplacer.

## 9 Recyclage

Les appareils **Hilti** sont fabriqués pour une grande partie en matériaux recyclables. Le recyclage présuppose un tri adéquat des matériaux. **Hilti** reprend les appareils usagés dans de nombreux pays en vue de leur recyclage. Consulter le service clients **Hilti** ou un conseiller commercial.



- Ne pas jeter les appareils électriques, électroniques et accus dans les ordures ménagères !

## 10 Garantie constructeur

- En cas de questions sur les conditions de garantie, veuillez vous adresser à votre partenaire **Hilti** local.



# Manual de instrucciones original

## 1 Información sobre el manual de instrucciones

### 1.1 Acerca de este manual de instrucciones

- **¡Atención!** Asegúrese de haber leído y entendido toda la documentación adjunta, incluidas, entre otras, las instrucciones, advertencias de seguridad, ilustraciones y especificaciones que se proporcionan con este producto. Familiarícese con todas las instrucciones, advertencias de seguridad, ilustraciones, especificaciones, componentes y funciones del producto antes de utilizarlo. De lo contrario, existe peligro de descarga eléctrica, incendio y/o lesiones graves. Conserve todas las advertencias e instrucciones para futuras consultas.
- Los productos han sido diseñados para usuarios profesionales y solo personal autorizado y debidamente formado puede utilizarlos y llevar a cabo su mantenimiento y conservación. Este personal debe estar especialmente instruido en lo referente a los riesgos de uso. La utilización del producto y sus dispositivos auxiliares puede conllevar riesgos para el usuario en caso de manejarse de forma inadecuada por personal no cualificado o utilizarse para usos diferentes a los que están destinados.
- La documentación adjunta corresponde al estado actual de la técnica en el momento de la impresión. Compruebe siempre la última versión en la página del producto de la página web de Hilti. Para ello siga el enlace o escanee el código QR que figura en esta documentación y que se indica con el símbolo .
- No entregue nunca el producto a otras personas sin este manual de instrucciones.

### 1.2 Explicación de símbolos

#### 1.2.1 Avisos

Las advertencias de seguridad advierten de peligros derivados del manejo del producto. Se utilizan las siguientes palabras de peligro:

#### PELIGRO

##### PELIGRO !

- ▶ Término utilizado para un peligro inminente que puede ocasionar lesiones graves o incluso la muerte.

#### ADVERTENCIA

##### ADVERTENCIA !

- ▶ Término utilizado para un posible peligro que puede ocasionar lesiones graves o incluso la muerte.

#### PRECAUCIÓN

##### PRECAUCIÓN !

- ▶ Término utilizado para una posible situación peligrosa que puede ocasionar lesiones o daños materiales.

#### 1.2.2 Símbolos en la documentación

En esta documentación se utilizan los siguientes símbolos:

	Leer el manual de instrucciones antes del uso
	Indicaciones de uso y demás información de interés
	Manejo con materiales reutilizables
	No tirar las herramientas eléctricas y las baterías junto con los desperdicios domésticos

#### 1.2.3 Símbolos en las figuras

En las figuras se utilizan los siguientes símbolos:

	Estos números hacen referencia a la figura correspondiente incluida al principio de este manual
	La numeración describe el orden de los pasos de trabajo en la imagen y puede ser diferente de los pasos descritos en el texto



<b>11</b>	Los números de posición se utilizan en la figura <b>Vista general</b> y los números de la leyenda están explicados en el apartado <b>Vista general del producto</b>
	Preste especial atención a este símbolo cuando utilice el producto.

### 1.3 Símbolos en el producto

#### 1.3.1 Señales prescriptivas

En el producto se utilizan las siguientes señales prescriptivas:

	Utilizar protección para los ojos
	Utilizar casco de protección
	Utilizar protección para los oídos
	Utilizar guantes de protección
	Utilizar zapatos de protección
	Utilizar mascarilla ligera

#### 1.3.2 Pantalla de estado

En el producto se utilizan los siguientes símbolos:

	Indicador de protección antirrobo
	Indicador de la capacidad de perforación
	Indicador de funcionamiento

#### 1.3.3 Símbolos de productos

En el producto se pueden utilizar los siguientes símbolos:

	Prohibido transportar con grúa
	Indicación de protección antirrobo
A	Amperios
V	Voltio
	Corriente alterna
W	Vatios
Hz	Hercios
$n_0$	Número de referencia de revoluciones en vacío
$\varnothing$	Diámetro
mm	Milímetros
/min	Revoluciones por minuto





Transferencia de datos inalámbrica

## 1.4 Placas indicadoras

### En el soporte, la placa base y la perforadora de diamante

	<p>→ <b>En el soporte y en la placa base al vacío</b></p> <p><b>Arriba:</b> en perforaciones horizontales con fijación al vacío no se puede utilizar el soporte sin el dispositivo de seguridad adicional.</p> <p><b>Abajo:</b> Las perforaciones por encima de la cabeza con soporte no se deben realizar con fijación al vacío.</p>
	<p>→ <b>En la perforadora de diamante</b></p> <p>Para realizar taladros en húmedo hacia arriba se requiere el sistema colector de agua en combinación con un aspirador en húmedo.</p>
	<p>→ <b>En la perforadora de diamante</b></p> <p>Trabaje exclusivamente con un PRCD en perfecto estado.</p>

## 1.5 Información del producto

Los productos han sido diseñados para usuarios profesionales y solo personal autorizado y debidamente formado puede utilizarlos y llevar a cabo su mantenimiento y conservación. Este personal debe estar especialmente instruido en lo referente a los riesgos de uso. La utilización del producto y sus dispositivos auxiliares puede conllevar riesgos para el usuario en caso de manejarse de forma inadecuada por personal no cualificado o utilizarse para usos diferentes a los que están destinados.

La denominación del modelo y el número de serie están indicados en la placa de identificación.

- ▶ Escriba el número de serie en la siguiente tabla. Necesitará los datos del producto para realizar consultas a nuestros representantes o al Departamento de Servicio Técnico.

### Datos del producto

Perforadora de diamante	DD 160
Generación:	02
N.º de serie:	

## 1.6 Declaración de conformidad

Bajo nuestra exclusiva responsabilidad, declaramos que el producto aquí descrito cumple con las directivas y normas vigentes. Encontrará una reproducción del organismo certificador al final de esta documentación. La documentación técnica se encuentra depositada aquí:

Hilti Entwicklungsgesellschaft mbH | Zulassung Geräte | Hiltistraße 6 | 86916 Kaufering, DE

## 2 Seguridad

### 2.1 Indicaciones generales de seguridad para herramientas eléctricas

**⚠ ADVERTENCIA** Lea con atención todas las indicaciones de seguridad, instrucciones, ilustraciones y datos técnicos correspondientes a esta herramienta eléctrica. La negligencia en el cumplimiento



de las instrucciones que se describen a continuación podría provocar descargas eléctricas, incendios o lesiones graves.

**Conservar todas las instrucciones e indicaciones de seguridad para futuras consultas.**

El término «herramienta eléctrica» empleado en las indicaciones de seguridad se refiere a herramientas eléctricas portátiles, ya sea con cable de red o sin cable, en caso de ser accionadas por batería.

### Seguridad en el puesto de trabajo

- ▶ **Mantenga su área de trabajo limpia y bien iluminada.** El desorden o una iluminación deficiente de las zonas de trabajo pueden provocar accidentes.
- ▶ **No utilice la herramienta eléctrica en un entorno con peligro de explosión en el que se encuentren líquidos, gases o polvos inflamables.** Las herramientas eléctricas producen chispas que pueden llegar a inflamar los materiales en polvo o vapores.
- ▶ **Mantenga alejados a los niños y otras personas de su puesto de trabajo al emplear la herramienta eléctrica.** Una distracción le puede hacer perder el control sobre la herramienta.

### Seguridad eléctrica

- ▶ **El enchufe de la herramienta eléctrica debe corresponder a la toma de corriente utilizada. No se deberá modificar el enchufe en forma alguna. No utilice enchufes adaptadores para las herramientas eléctricas con puesta a tierra.** Los enchufes sin modificar adecuados a las respectivas tomas de corriente reducen el riesgo de descarga eléctrica.
- ▶ **Evite el contacto corporal con superficies que tengan puesta a tierra, como pueden ser tubos, calefacciones, cocinas y frigoríficos.** El riesgo a quedar expuesto a una sacudida eléctrica es mayor si su cuerpo tiene contacto con tierra.
- ▶ **No exponga las herramientas eléctricas a la lluvia y evite que penetren líquidos en su interior.** El riesgo de recibir descargas eléctricas aumenta si penetra agua en la herramienta eléctrica.
- ▶ **No utilice el cable de conexión para transportar o colgar la herramienta eléctrica ni tire de él para extraer el enchufe de la toma de corriente. Mantenga el cable de conexión alejado de fuentes de calor, aceite, aristas afiladas o piezas móviles.** Los cables de conexión dañados o enredados pueden provocar descargas eléctricas.
- ▶ **Cuando trabaje al aire libre con una herramienta eléctrica, utilice exclusivamente un alargador adecuado para exteriores.** La utilización de un alargador adecuado para su uso en exteriores evita el riesgo de una descarga eléctrica.
- ▶ **Cuando no pueda evitarse el uso de la herramienta eléctrica en un entorno húmedo, utilice un interruptor de corriente de defecto.** La utilización de un interruptor de corriente de defecto evita el riesgo de una descarga eléctrica.

### Seguridad de las personas

- ▶ **Permanezca atento, preste atención durante el trabajo y utilice la herramienta eléctrica con prudencia. No utilice una herramienta eléctrica si está cansado, ni tampoco después de haber consumido alcohol, drogas o medicamentos.** Un momento de descuido al utilizar la herramienta eléctrica podría producir graves lesiones.
- ▶ **Utilice el equipo de seguridad personal adecuado y lleve siempre gafas protectoras.** El riesgo de lesiones se reduce considerablemente si, según el tipo y la aplicación de la herramienta eléctrica empleada, se utiliza un equipo de seguridad personal adecuado como una mascarilla antipolvo, zapatos de seguridad con suela antideslizante, casco de protección o protección para los oídos.
- ▶ **Evite una puesta en servicio fortuita de la herramienta. Asegúrese de que la herramienta eléctrica está apagada antes de alzarla, transportarla, conectarla a la toma de corriente o insertar la batería.** Si transporta la herramienta eléctrica sujetándola por el interruptor de conexión/desconexión o si introduce el enchufe en la toma de corriente con la herramienta conectada, podría producirse un accidente.
- ▶ **Retire las herramientas de ajuste o llaves fijas antes de conectar la herramienta eléctrica.** Una herramienta o llave colocada en una pieza giratoria puede producir lesiones al ponerse en funcionamiento.
- ▶ **Evite adoptar posturas forzadas. Procure que la postura sea estable y manténgase siempre en equilibrio.** De esta forma podrá controlar mejor la herramienta eléctrica en caso de presentarse una situación inesperada.
- ▶ **Utilice ropa adecuada. No utilice vestimenta amplia ni joyas. Mantenga su pelo, vestimenta y guantes alejados de las piezas móviles.** La vestimenta suelta, las joyas y el pelo largo se pueden enganchar con las piezas en movimiento.
- ▶ **Siempre que sea posible montar equipos de aspiración o captación de polvo, asegúrese de que están conectados y de que se utilizan correctamente.** El uso de un sistema de aspiración de polvo reduce los riesgos derivados del polvo.
- ▶ **No se crea a salvo de cualquier riesgo ni pase por alto ninguna de las normas de seguridad relativas a las herramientas eléctricas, aun cuando esté familiarizado con la herramienta eléctrica**



y tenga larga experiencia en su uso. Una actuación negligente puede provocar lesiones graves en cuestión de segundos.

#### Uso y manejo de la herramienta eléctrica

- ▶ **No sobrecargue la herramienta. Utilice la herramienta eléctrica adecuada para el trabajo que se dispone a realizar.** Con la herramienta eléctrica apropiada podrá trabajar mejor y de modo más seguro dentro del margen de potencia indicado.
- ▶ **No utilice herramientas eléctricas con el interruptor defectuoso.** Las herramientas eléctricas que no se puedan conectar o desconectar son peligrosas y deben repararse.
- ▶ **Extraiga el enchufe de la toma de corriente o retire la batería extraíble antes de efectuar cualquier ajuste en la herramienta, cambiar accesorios o en caso de no utilizar la herramienta durante un tiempo prolongado.** Esta medida preventiva evita el riesgo de arranque accidental de la herramienta eléctrica.
- ▶ **Guarde las herramientas eléctricas que no utilice fuera del alcance de los niños. No permita utilizar la herramienta a ninguna persona que no esté familiarizada con ella o que no haya leído este manual de instrucciones.** Las herramientas eléctricas utilizadas por personas inexpertas son peligrosas.
- ▶ **Cuide su herramienta eléctrica y los accesorios adecuadamente. Compruebe si las piezas móviles de la herramienta funcionan correctamente y sin atascarse, y si existen piezas rotas o deterioradas que pudieran afectar al funcionamiento de la herramienta eléctrica. Encargue la reparación de las piezas defectuosas antes de usar la herramienta eléctrica.** Muchos accidentes son consecuencia de un mantenimiento inadecuado de la herramienta eléctrica.
- ▶ **Mantenga los útiles limpios y afilados.** Las herramientas de corte bien cuidadas y con aristas afiladas se atascan menos y se guían con más facilidad.
- ▶ **Utilice la herramienta eléctrica, los accesorios, útiles de inserción, etc., de acuerdo con estas instrucciones. Para ello, tenga en cuenta las condiciones de trabajo y la tarea que se va a realizar.** El uso de herramientas eléctricas para trabajos diferentes de aquellos para los que han sido concebidas puede resultar peligroso.
- ▶ **Mantenga las empuñaduras y las superficies de contacto secas, limpias y sin residuos de aceite o grasa.** Las empuñaduras y superficies de contacto resbaladizas impiden manejar y controlar la herramienta eléctrica con seguridad en situaciones imprevistas.

#### Servicio Técnico

- ▶ **Solicite que un profesional lleve a cabo la reparación de su herramienta eléctrica y que utilice exclusivamente piezas de repuesto originales.** Solamente así se garantiza la seguridad de la herramienta eléctrica.

## 2.2 Indicaciones de seguridad para perforadoras de diamante

- ▶ **Al realizar trabajos de perforación que requieran el empleo de agua, evacue el agua conduciéndola fuera del área de trabajo o utilice un dispositivo colector de líquidos.** Este tipo de medidas de precaución contribuyen a mantener seca el área de trabajo y reducir el riesgo de descargas eléctricas.
- ▶ **Sujete la herramienta eléctrica por las empuñaduras aisladas cuando realice trabajos en los que la herramienta de corte pueda entrar en contacto con cables eléctricos ocultos o con el propio cable de conexión de la herramienta.** El contacto de la herramienta de corte con cables conductores puede traspasar la conductividad a las partes metálicas de la herramienta eléctrica y provocar descargas eléctricas.
- ▶ **Utilice protección para los oídos al perforar con diamante.** El ruido constante puede reducir la capacidad auditiva.
- ▶ **En caso de que el útil de inserción se bloquee, interrumpa el avance y desconecte la herramienta.** Examine el motivo del atasco y elimine la causa de que se bloqueen los útiles de inserción.
- ▶ **Si quiere volver a arrancar una perforadora de diamante que esté insertada en la pieza de trabajo, antes de conectarla compruebe si el útil de inserción gira libremente.** Si el útil de inserción está atascado, es posible que no gire, lo que puede provocar una sobrecarga de la herramienta o que la perforadora de diamante se desprenda de la pieza de trabajo.
- ▶ **Si la fijación del soporte a la pieza de trabajo se efectúa mediante taco y tornillos, asegúrese de que el anclaje utilizado tiene capacidad para retener la máquina con seguridad durante su uso.** Si la pieza de trabajo no presenta resistencia o es porosa, puede tener como consecuencia que el taco se salga y el soporte se suelte de la pieza de trabajo.
- ▶ **Al perforar a través de paredes o techos, asegúrese de que al otro lado están protegidas tanto las personas como el área de trabajo.** La corona de perforación podría atravesar y sobresalir del taladro y el testigo caer al otro lado.





- ▶ **No utilice esta herramienta para trabajos de perforación por encima de la cabeza con admisión de agua.** El riesgo de recibir descargas eléctricas aumenta si penetra agua en la herramienta eléctrica.

## 2.3 Indicaciones de seguridad adicionales

### Seguridad de las personas

- ▶ **No está permitido efectuar manipulaciones o modificaciones en la herramienta.**
- ▶ **La herramienta no es adecuada para personas con poca fuerza a las que no se haya instruido.**
- ▶ Mantenga la herramienta fuera del alcance de los niños.
- ▶ **Evite tocar las piezas en movimiento. No conecte la herramienta fuera de la zona de trabajo.** Si se tocan piezas en movimiento, en especial herramientas rotativas, pueden ocasionarse lesiones.
- ▶ **Evite que la piel entre en contacto con el lodo de perforación.**
- ▶ El polvo procedente de materiales como pinturas con plomo, determinadas maderas, hormigón/mampostería/rocas con cuarzo, así como minerales y metal puede ser nocivo para la salud. El contacto con el polvo o su inhalación puede provocar reacciones alérgicas o asfixia al usuario o a personas que se encuentren en su entorno. Existen determinados tipos de polvo, como puede ser el de roble o el de haya, catalogados como cancerígenos, especialmente si se encuentra mezclado con aditivos usados en el tratamiento de la madera (cromato, agente protector para la madera). Únicamente expertos cualificados están autorizados a manipular materiales que contengan asbesto. Utilice siempre que sea posible un sistema efectivo de aspiración de polvo. Para ello, utilice un aspirador de polvo apto para madera y polvo mineral recomendado por **Hilti** y compatible con esta herramienta eléctrica. Procure una buena ventilación del lugar de trabajo. Se recomienda utilizar una mascarilla adecuada para cada clase de polvo. Respete la normativa vigente en su país relativa a los materiales que se van a procesar.
- ▶ La perforadora de diamante y la corona perforadora de diamante son pesadas. Pueden aplastarse partes del cuerpo. **El usuario y las personas que se encuentren en las inmediaciones de la zona de uso deben llevar equipo de protección adecuado: gafas protectoras, casco de protección, protección para los oídos, guantes de protección y calzado de seguridad.**

### Manipulación y utilización segura de las herramientas eléctricas

- ▶ **Asegúrese de que la herramienta está debidamente sujeta en el soporte.**
- ▶ **Asegúrese de que haya siempre un tope final montado en el soporte. De lo contrario, no se dispone de la función de tope final, importante para la seguridad.**
- ▶ **Compruebe si los útiles disponen del sistema de inserción adecuado para la herramienta y si están enclavados en el portátiles conforme a las prescripciones.**

### Seguridad eléctrica

- ▶ **Es preciso evitar los alargadores con cajas de enchufes múltiples y el funcionamiento simultáneo de varias herramientas.**
- ▶ **La herramienta debe conectarse únicamente a redes que dispongan de conductor de puesta a tierra y dimensionado suficiente.**
- ▶ **Compruebe antes de empezar a trabajar si la zona de trabajo oculta cables eléctricos, tuberías de gas o cañerías de agua, por ejemplo, con un detector de metales.** Las partes metálicas exteriores de la herramienta pueden pasar a conducir electricidad si, por ejemplo, se ha dañado por error un cable eléctrico. Dichas partes suponen un peligro serio por el riesgo de una descarga eléctrica.
- ▶ **Cerciórese de que el cable de red no resulte dañado con el avance del carro.**
- ▶ **No utilice jamás la herramienta sin el PRCD suministrado (para herramientas sin PRCD, nunca sin transformador de separación). Compruebe el PRCD antes de su uso.**
- ▶ **Compruebe con regularidad el cable de conexión de la herramienta y, en caso de que presentara daños, encargue su sustitución a un profesional experto en la materia. Si el cable de conexión de la herramienta eléctrica está dañado, debe reemplazarse por un cable especial homologado que encontrará en nuestro Servicio Posventa. Inspeccione regularmente los alargadores y sustitúyalos en caso de que estuvieran dañados. Si se daña el cable de red o el alargador durante el trabajo, evite tocar el cable. Extraiga el enchufe de red de la toma de corriente. Los cables de conexión y los alargadores dañados suponen un peligro, pues pueden ocasionar una descarga eléctrica.**
- ▶ **No utilice nunca una herramienta sucia o mojada.** El polvo adherido en la superficie de la herramienta, sobre todo el de los materiales conductores, o la humedad pueden provocar descargas eléctricas bajo condiciones desfavorables. Por lo tanto, lleve con regularidad a revisar al Servicio Técnico de **Hilti** la herramienta sucia, sobre todo si se ha usado con frecuencia para trabajar con materiales conductores.

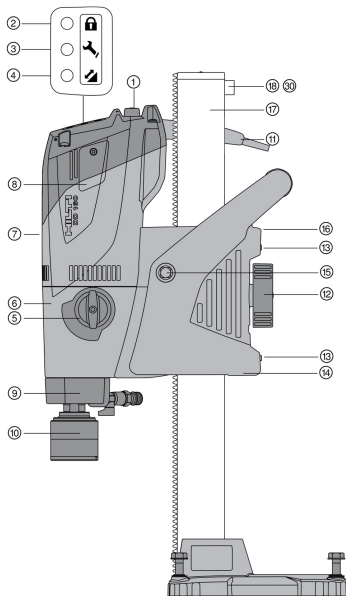


## Lugar de trabajo

- ▶ **Encargue la autorización de los trabajos de perforación a la dirección de la obra.** Las perforaciones en edificios y otras estructuras pueden influir en la estática, especialmente al seccionar hierros de armadura o elementos portadores.
- ▶ **Si el soporte no está adecuadamente fijado, baje completamente la herramienta montada en el soporte para evitar que vuelque.**
- ▶ **Mantenga alejados el cable de red, el alargador, el tubo flexible de aspiración y de vacío de las partes rotatorias.**
- ▶ **Para realizar taladros en húmedo hacia arriba se requiere el sistema colector de agua en combinación con un aspirador en húmedo.**
- ▶ **La fijación al vacío está prohibida cuando se perfora hacia arriba si no va acompañada de una fijación adicional.**
- ▶ **En perforaciones horizontales con fijación al vacío (accesorios) no se puede utilizar el soporte sin el dispositivo de seguridad adicional.**

## 3 Descripción

### 3.1 Perforadora de diamante DD 160-U



- ① Interruptor de conexión y desconexión
- ② Indicador de protección antirrobo
- ③ Indicador de funcionamiento
- ④ Indicador de la capacidad de perforación
- ⑤ Interruptor del cambio
- ⑥ Engranajes
- ⑦ Motor
- ⑧ Cubierta de las escobillas de carbón
- ⑨ Cabezal de lavado
- ⑩ Portaútiles
- ⑪ Cable de red, incl. PRCD
- ⑫ Inmovilizador del carro
- ⑬ Tornillo de ajuste del juego de carro
- ⑭ Carro
- ⑮ Manguito de la rueda de mano
- ⑯ Portacables
- ⑰ Soporte
- ⑱ Tornillo de tope
- ⑳ Tornillo de tope

### 3.2 Soporte

#### Soporte con placa base combinada

- ⑱ Tornillo de tope
- ⑲ Rail
- ⑳ Válvula de aireación al vacío
- ㉑ Manómetro
- ㉒ Indicador de nivelación
- ㉓ Conexión de vacío
- ㉔ Placa base combinada
- ㉕ Empuñadura
- ㉖ Palanca de regulación
- ㉗ Indicador de centro de perforación
- ㉘ Tornillo nivelador
- ㉙ Junta de vacío

#### Soporte con placa base de clavija

- ㉚ Tornillo de tope
- ㉛ Rail
- ㉜ Placa base (taco, pequeño)
- ㉝ Tornillo nivelador



### 3.3 Accesorios (opcional)

- |    |                     |    |                               |
|----|---------------------|----|-------------------------------|
| ③4 | Empuñadura en cruz  | ③8 | Pieza giratoria para columnas |
| ③5 | Palanca             | ③9 | Dispositivo de avance         |
| ③6 | Tope de profundidad | ④3 | Placa base al vacío           |
| ③7 | Husillo roscado     |    |                               |

#### Sistema colector de agua

- |    |                             |    |       |
|----|-----------------------------|----|-------|
| ④0 | Soporte                     | ④2 | Junta |
| ④1 | Recipiente colector de agua |    |       |

### 3.4 Uso conforme a las prescripciones

El producto descrito es una perforadora de diamante eléctrica. Está indicada para realizar perforaciones pasantes o ciegas en húmedo con recuperación de testigo en superficies minerales (armadas). **La aplicación con guiado manual de la perforadora de diamante no está permitida.**

El producto descrito ha sido diseñado para el usuario profesional y solo debe ser manejado, conservado y reparado por personal autorizado y formado adecuadamente. Este personal debe estar especialmente instruido en lo referente a los riesgos de uso. La utilización del producto descrito y sus dispositivos auxiliares puede conllevar riesgos para el usuario en caso de manejarse de forma inadecuada por personal no cualificado o utilizarse para usos diferentes a los que están destinados.

- ▶ Para el uso de la perforadora de diamante, utilice siempre un soporte. El soporte debe estar debidamente anclado a la superficie de trabajo mediante una placa base de clavija o una placa base al vacío.
- ▶ No utilice ninguna herramienta de impacto (martillo) para los trabajos de ajuste en la placa base.
- ▶ Solo debe funcionar con la frecuencia y tensión de alimentación especificada en la placa de identificación.
- ▶ Respete la normativa nacional en materia de protección laboral.
- ▶ Siga también las instrucciones de seguridad y manejo del accesorio utilizado.
- ▶ Para evitar el riesgo de lesiones, utilice exclusivamente accesorios y coronas de perforación originales de Hilti.

### 3.5 Suministro

Perforadora de diamante, rueda de mano, manual de instrucciones.

El soporte se suministra por separado. Encontrará otros productos del sistema autorizados para su producto en su **Hilti Store** o en Internet, en: [www.hilti.group](http://www.hilti.group)

### 3.6 Indicador de la capacidad de perforación

La perforadora de diamante está equipada con un indicador de la capacidad de perforación con señal luminosa.

Símbolo	Estado	Significado
	Encendido en naranja	Presión de apriete demasiado baja
	Encendido en verde	Presión de apriete óptima
	Encendido en rojo	Presión de apriete demasiado elevada

### 3.7 Indicador de funcionamiento

La perforadora de diamante está equipada con un indicador de funcionamiento con señal luminosa.

Símbolo	Estado	Significado
	Encendido en rojo El producto funciona	Las escobillas de carbón están muy desgastadas. Se ha alcanzado el plazo de funcionamiento de la herramienta hasta la siguiente revisión por parte del Servicio Técnico. Desde el momento en que se enciende este indicador, se puede continuar trabajando durante algunas horas hasta que se activa la desconexión automática. Lleve a tiempo el producto al Servicio Técnico de <b>Hilti</b> .



Símbolo	Estado	Significado
	Encendido en rojo El producto no funciona	Hay que cambiar las escobillas de carbón.
	Parpadea en rojo	Sobrecalentamiento o daños en la perforadora de diamante. Véase Ayuda en caso de averías.

## 4 Datos técnicos

### 4.1 Características del producto

<b>Peso</b>	<b>Placa base de clavija</b>	35,9 lb (16,3 kg)
	<b>Placa base combinada</b>	42,5 lb (19,3 kg)
<b>Dimensiones (Largo × ancho × alto)</b>	<b>Placa base de clavija</b>	15,7 in x 37,2 in x 6,5 in (400 mm x 945 mm x 165 mm)
	<b>Placa base combinada</b>	24,0 in x 37,5 in x 9,8 in (610 mm x 952 mm x 250 mm)
<b>Número de referencia de revoluciones en vacío</b>	<b>1.ª velocidad</b>	460 rpm
	<b>2.ª velocidad</b>	760 rpm
	<b>3.ª velocidad</b>	1.690 rpm
<b>Clase de protección</b>	Clase de protección I (con puesta a tierra)	
<b>Intensidad nominal (a 230 V)</b>	2.200 W	
<b>Presión máx. admisible de la tubería de agua</b>	73 psi (5 bar)	

### 4.2 Tensión nominal

El producto está disponible con diferentes tensiones nominales. La tensión nominal y la potencia nominal del producto figuran en la placa de identificación.

Tensión nominal	100 V	110 V GB	110 V TW	120 V	127 V	220 V	230 V	240 V
Intensidad nominal	15 A	16 A	15 A	19,5 A	18,5 A	10 A	10,3 A	9,9 A
Frecuencia de red	50/60 Hz	50/60 Hz	50/60 Hz	60 Hz	50/60 Hz	50/60 Hz	50/60 Hz	50/60 Hz

### 4.3 Uso de alargadores

Utilice sólo el cable de prolongación autorizado para el campo de aplicación con sección suficiente.

**Sección transversal mínima recomendada y longitudes de cable máximas:**

Sección de cable → ↓ Tensión de alimentación	1,5 mm <sup>2</sup>	2,5 mm <sup>2</sup>	3,5 mm <sup>2</sup>	4,0 mm <sup>2</sup>
100 V	No recomendable	No recomendable	25 m	No recomendable
110 V	No recomendable	15 m	No recomendable	30 m
127 V	No recomendable	20 m	No recomendable	35 m
220 V	35 m	65 m	No recomendable	105 m
230 V	40 m	70 m	No recomendable	No recomendable



Sección de cable → ↓ Tensión de alimentación	1,5 mm <sup>2</sup>	2,5 mm <sup>2</sup>	3,5 mm <sup>2</sup>	4,0 mm <sup>2</sup>
240 V	40 m	70 m	No recomendable	110 m

#### 4.4 Uso en diversos equipamientos

Equipamiento	Diámetro de la corona de perforación	Dirección de perforación
sin sistema colector de agua sin aspirador de polvo	1,0 in ... 8,0 in (25 mm ... 202 mm)	No hacia arriba
con sistema colector de agua sin aspirador de polvo	1,0 in ... 6,4 in (25 mm ... 162 mm)	No hacia arriba
con sistema colector de agua con aspirador	1,0 in ... 6,4 in (25 mm ... 162 mm)	Todas las direcciones

#### 4.5 Marchas y diámetros de corona de perforación correspondientes

Velocidad	Diámetro de la corona de perforación	Velocidad de giro en vacío
1	6,0 in ... 8,0 in (152 mm ... 202 mm)	460 rpm
2	2,8 in ... 5,6 in (72 mm ... 142 mm)	760 rpm
3	1,0 in ... 2,6 in (25 mm ... 67 mm)	1.690 rpm

## 5 Puesta en servicio y preparación del trabajo

### 5.1 Fijación de la perforadora de diamante en el soporte

#### PRECAUCIÓN

**Riesgo de lesiones** Peligro por arranque accidental de la perforadora de diamante.

- ▶ La perforadora de diamante no debe estar conectada a la red eléctrica durante los trabajos de reequipamiento.

1. Extraiga el tornillo de tope de la parte trasera del rail.
2. Coloque la perforadora de diamante en el rail a través de la abertura prevista para ello.
3. Bloquee la perforadora de diamante girando completamente el inmovilizador del carro.
4. Compruebe que la perforadora de diamante esté bien fijada girando levemente la rueda de mano.
5. Monte el tope final en el rail y compruebe que queda debidamente sujeto.



Compruebe el ajuste del juego de carro y ajústelo en caso necesario.

### 5.2 Montaje de la rueda de mano en el soporte



La rueda de mano se puede montar en el lado izquierdo o en el derecho del carro.

1. Retire el anillo negro para montar la rueda de mano.
2. Inserte la rueda de mano en el eje.




### 5.3 Fijación del soporte con taco

#### ADVERTENCIA

**Riesgo de lesiones por el uso de un taco inadecuado.** La herramienta puede soltarse y provocar daños.

- Utilice únicamente tacos adecuados para la superficie sobre la que se va a trabajar y tenga en cuenta las indicaciones de montaje del fabricante de los tacos.

 Los tacos expansivos metálicos **Hilti** HKV 16 son normalmente adecuados para fijar el equipamiento de la perforadora de diamante en hormigón no agrietado. Sin embargo, en determinadas condiciones puede ser necesaria una fijación alternativa. Si tiene dudas sobre cómo realizar una fijación segura, consulte al Servicio Técnico de **Hilti**.

1. Utilice el taco adecuado en función de la superficie de trabajo. Seleccione la distancia en función de la placa base utilizada.

Datos técnicos	
Placa base de clavija	10,6 in (270 mm)
Placa base combinada	11,4 in (290 mm)


2. Atornille el husillo de sujeción en el taco.
3. Coloque la placa base de la perforadora de diamante por encima del husillo y alinéela.
4. Atornille la tuerca de apriete, sin apretarla, en el husillo.
5. Nivele la placa base con los tornillos de nivelación. Asegúrese de que los tornillos de nivelación se apoyen firmemente sobre la superficie de trabajo.
6. Apriete la tuerca de apriete en el husillo de sujeción con una llave de boca adecuada.
7. Asegúrese de que la perforadora de diamante esté bien fijada.


### 5.4 Fije el soporte mediante vacío

#### ADVERTENCIA

**Existe riesgo de lesiones si falta el control de la presión !**

- Antes y durante la perforación debe asegurarse de que el indicador en el manómetro permanece en la zona verde.

 Si utiliza el soporte con la placa base de clavija, establezca una conexión fija y plana entre la placa base al vacío y la placa base de clavija. Atornille firmemente la placa base de clavija a la placa base al vacío. Asegúrese de que la corona de perforación seleccionada no dañe la placa base al vacío. En perforaciones horizontales, asegure también la perforadora de diamante (p. ej. con una cadena enganchada a un taco).

 Antes de posicionar el soporte, compruebe que hay suficiente espacio disponible para el montaje y el manejo.

1. Desenrosque todos los tornillos de nivelación de manera que sobresalgan aprox. 5 mm por debajo de la placa base.
2. Conecte el acoplamiento de vacío de la placa base al vacío con la bomba al vacío.
3. Determine el centro de perforación. Trace una línea desde el centro del taladro en la dirección en la que se detendrá la herramienta.
4. Ponga una marca en la línea, a la distancia indicada con respecto al centro del taladro.

Datos técnicos	
Placa base combinada	11,4 in (290 mm)
Placa base al vacío	11,4 in (290 mm)



5. Conecte la bomba de vacío y presione la válvula de aireación al vacío manteniéndola presionada.
6. Alinee la marca de la placa base de la línea.
7. Una vez que se haya posicionado correctamente la perforadora de diamante, suelte la válvula de aireación al vacío y presiónela contra la placa base de la superficie de trabajo.
8. Nivele la placa base con los tornillos de nivelación.
9. Asegúrese de que la perforadora de diamante esté bien fijada.

### 5.5 Fijación del soporte con un husillo roscado

1. Fije el husillo roscado en el extremo superior de la columna.
2. Posicione el soporte sobre la superficie de trabajo.
3. Nivele la placa base con los tornillos de nivelación.
4. Tense el soporte con el husillo roscado y fíjelo por contratuerca.
5. Compruebe que el soporte esté correctamente fijado.

### 5.6 Ajuste el ángulo de perforación en el soporte con placa base combinada

#### PRECAUCIÓN

**Peligro de aplastamiento de los dedos en la zona de articulación.** Aflojar el mecanismo de sujeción puede hacer que el soporte vuelque repentinamente.

- ▶ Utilice guantes de protección.
- ▶ Asegure el soporte para que no vuelque antes de soltar el mecanismo de sujeción.

1. Afloje la palanca de regulación debajo del soporte hasta que los tacos de corredera se desenclaven.
2. Coloque la columna en la posición deseada.
3. Accione la palanca de regulación hasta que los tacos de corredera estén totalmente enclavados y la columna quede fijada.

### 5.7 Instalación de la toma del agua (accesorio)

#### ATENCIÓN

**Peligro por un uso indebido.** La manguera puede quedar inservible si se utiliza indebidamente.

- ▶ Compruebe periódicamente la presencia de daños en la manguera y asegúrese de que no se supere la presión máxima admisible de los conductos de agua (véase Datos técnicos).
- ▶ Cerciórese de que el tubo flexible no entre en contacto con piezas móviles.
- ▶ Cerciórese de que el tubo flexible no resulte dañado con el avance del carro.
- ▶ Respete la especificación de la temperatura máxima del agua que se indica en el capítulo Datos técnicos.
- ▶ Compruebe que el sistema de agua acoplado sea estanco.



Utilice únicamente agua corriente o agua sin partículas de suciedad para evitar daños en los componentes.

Es posible montar un indicador de paso (disponible como accesorio) entre la herramienta y el conducto de alimentación de agua.

1. Cierre la regulación de agua en la perforadora de diamante.
2. Conecte el suministro de agua (conexión de la manguera).

### 5.8 Montaje del sistema colector de agua (accesorio)

#### ADVERTENCIA

**Peligro de descarga eléctrica.** Si la aspiración no funciona correctamente, puede haber agua sobre el motor y la cubierta.

- ▶ Interrumpa inmediatamente el trabajo si la aspiración no funciona.

#### PRECAUCIÓN

**Riesgo de lesiones.** Arranque involuntario del producto.

- ▶ Extraiga el enchufe de red antes de realizar ajustes en la herramienta o de cambiar accesorios.





Al taladrar hacia arriba, la perforadora de diamante debe estar en un ángulo de 90° con respecto al techo. El disco de estanqueidad del sistema colector de agua debe ajustarse al diámetro de la corona perforadora de diamante.

La utilización del sistema colector de agua permite efectuar una evacuación selectiva del agua y evitar así la suciedad extrema del entorno.

1. Retire el tornillo del soporte.
2. Monte el soporte colector de agua con el tornillo en el soporte.
3. Coloque el recipiente colector de agua, con la junta y el disco de estanqueidad del colector de agua montados, entre los dos brazos móviles del soporte colector de agua.
4. Fije el recipiente colector de agua a la superficie de trabajo con ayuda de los dos tornillos del soporte colector de agua.
5. Conecte un aspirador en húmedo en el recipiente colector de agua o establezca una conexión de manguera que permita la salida del agua.

## 5.9 Montaje de la corona perforadora de diamante con portaútiles BI+



### PRECAUCIÓN

**Riesgo de lesiones al realizar un cambio de útil.** El útil se calienta debido al uso. Puede presentar bordes afilados.

- ▶ Utilice siempre guantes de protección para cambiar el útil.



Las coronas perforadoras de diamante deben sustituirse cuando su capacidad de corte o de avance de perforación disminuyan notablemente. En general, esto es necesario cuando los segmentos de diamante están desgastados a una altura concreta.

1. Bloquee el carro en el rail mediante el inmovilizador del carro. Asegúrese de que esté bien fijado.
2. Abra el portaútiles girando en la dirección del símbolo de «abrazaderas abiertas».
3. Inserte la corona perforadora de diamante desde abajo en el dentado del portaútiles, en la perforadora de diamante, y gírela hasta que quede encajada.
4. Cierre el portaútiles girando en la dirección del símbolo de «abrazaderas cerradas».
5. Compruebe que la corona perforadora de diamante esté firmemente asentada en el portaútiles.

## 5.10 Selección de la velocidad



### PRECAUCIÓN

**Peligro por desgaste** Riesgo de dañar el engranaje

- ▶ No conectar en funcionamiento. Espere a que el husillo se detenga por completo.
- ▶ Gire el interruptor girando simultáneamente a mano la corona de perforación hasta alcanzar la posición recomendada.

## 5.11 Desmontaje de la corona perforadora de diamante con portaútiles BI+



### PRECAUCIÓN

**Riesgo de lesiones al realizar un cambio de útil.** El útil se calienta debido al uso. Puede presentar bordes afilados.

- ▶ Utilice siempre guantes de protección para cambiar el útil.

1. Bloquee el carro en el rail mediante el inmovilizador del carro. Asegúrese de que esté bien fijado.
2. Abra el portaútiles girando en la dirección del símbolo de «abrazaderas abiertas».
3. Tire del casquillo de accionamiento del portaútiles en el sentido de la flecha con respecto a la herramienta. De este modo se desbloquea la corona de perforación.
4. Retire la corona perforadora de diamante.





## 6 Manejo

### 6.1 Activación de la perforadora de diamante con protección antirrobo TPS (opcional)

La perforadora de diamante DD 160 puede equiparse opcionalmente con la función de protección antirrobo. Si está equipada con esta función, solo se podrá activar y manejar con la correspondiente llave de activación.

Para obtener más información acerca de la activación y el uso de la protección antirrobo, consulte el capítulo «Protección antirrobo TPS» del manual de instrucciones.

1. Conecte el enchufe de la perforadora de diamante en la toma de corriente.
2. Presione el botón **I** o **RESET** del interruptor de corriente de defecto PRCD.
  - ▶ La luz de la protección antirrobo se enciende.
3. Mantenga la llave de activación directamente en el símbolo del cerrojo.
  - ▶ El diodo amarillo de la protección antirrobo se apaga y la herramienta está activada.

Si se interrumpe la alimentación eléctrica, la operatividad de la perforadora de diamante se mantiene durante aprox. 20 minutos. Si la interrupción fuera más larga, vuelva a desactivar la protección antirrobo con la llave de activación.

### 6.2 Manejo del interruptor de corriente de defecto PRCD

Para perforadoras de diamante sin PRCD se debe utilizar un transformador de separación.

1. Conecte el enchufe de red de la perforadora de diamante en una toma de corriente con conexión de puesta a tierra.
2. Presione el botón **I** o **RESET** del interruptor de corriente de defecto PRCD.
  - ▶ El indicador de la capacidad de perforación se enciende en naranja.
3. Presione el botón **0** o **TEST** del interruptor de corriente de defecto PRCD.
  - ▶ El indicador de la capacidad de perforación se apaga.

#### ADVERTENCIA

**Riesgo de lesiones por una descarga eléctrica.** Si el indicador del interruptor de corriente de defecto no se suelta al pulsar el botón **0** o **TEST**, no se puede seguir utilizando la perforadora de diamante.

- ▶ Encargue la reparación de la perforadora de diamante al Servicio Técnico de Hilti.
4. Presione el botón **I** o **RESET** del interruptor de corriente de defecto PRCD.
    - ▶ El indicador de la capacidad de perforación se enciende en naranja.

### 6.3 Uso de la perforadora de diamante sin el aspirador en húmedo

1. Abra lentamente la regulación de agua hasta que fluya el volumen de agua deseado.

La perforadora de diamante se puede utilizar con y sin sistema colector de agua. Con sistema colector de agua, el agua es desviada través de un tubo flexible; sin sistema colector de agua, esta fluye de forma incontrolada. Si se utiliza con sistema colector de agua, coloque en primer lugar el sistema colector de agua 49.

En ambos casos, no está permitido realizar perforaciones hacia arriba.

2. Presione el interruptor de conexión y desconexión para situarlo en "I".
3. Suelte el inmovilizador del carro.
4. Gire la corona perforadora de diamante con la rueda de mano hasta la superficie de trabajo.
5. Al empezar a taladrar, presione ligeramente hasta que se centre la corona de perforación y, a continuación, aumente la presión de apriete.
6. Tenga en cuenta el indicador de la capacidad de perforación.

Al principio, el indicador de la capacidad de perforación se enciende en naranja. La potencia de perforación ideal se alcanza cuando el indicador de la capacidad de perforación se ilumina en verde. Si el indicador de la capacidad de perforación está en rojo, reduzca la presión de apriete.




## 6.4 Uso de la perforadora de diamante con el aspirador en húmedo **11**

### ADVERTENCIA

**Peligro de descarga eléctrica.** Si la aspiración no funciona correctamente, puede haber agua sobre el motor y la cubierta.

▶ Interrumpa inmediatamente el trabajo si la aspiración no funciona.

1. Monte el sistema colector de agua  49 y conecte el aspirador en húmedo.
2. Conecte el aspirador en húmedo, no utilice el modo automático.
3. Abra lentamente la regulación de agua hasta que fluya el volumen de agua deseado.
4. Presione el interruptor de conexión y desconexión para situarlo en "I".
5. Suelte el inmovilizador del carro.
6. Gire la corona perforadora de diamante con la rueda de mano hasta la superficie de trabajo.
7. Al empezar a taladrar, presione ligeramente hasta que se centre la corona de perforación y, a continuación, aumente la presión de apriete.
8. Tenga en cuenta el indicador de la capacidad de perforación.



Al principio, el indicador de la capacidad de perforación se enciende en naranja. La potencia de perforación ideal se alcanza cuando el indicador de la capacidad de perforación se ilumina en verde. Si el indicador de la capacidad de perforación está en rojo, reduzca la presión de apriete.

## 6.5 Utilización del Rota-Rail (pieza giratoria para columnas)

El Rota-Rail permite acceder de forma rápida y fácil al taladro o al testigo sin necesidad de desmontar el sistema de forma parcial o completa.

### ADVERTENCIA

**Riesgo de lesiones si no se usa correctamente.** El soporte puede dañarse o romperse.

▶ No utilice nunca el rail rotatorio como prolongación de las columnas.

1. Bloquee el carro con el inmovilizador del carro. Asegúrese de que esté bien fijado.
2. Extraiga el tornillo de tope de la parte trasera de la columna.
3. Fije el Rota-Rail de modo que los raíles dentados queden orientados hacia la misma dirección.
4. Apriete el tornillo en el Rota-Rail.
5. Afloje el inmovilizador del carro y desplace el carro por el Rota-Rail.
6. Afloje los tornillos de fijación del Rota-Rail y gire la herramienta con el Rota-Rail hacia la izquierda o la derecha. De esta forma, posibilita el acceso al taladro.
7. Retire el testigo o sustituya la corona de perforación.
8. Gire la herramienta con el Rota-Rail hasta la posición inicial y apriete los tornillos de fijación del Rota-Rail. Retroceda la herramienta sobre la columna del soporte para seguir trabajando.
9. Una vez desmontado el Rota-Rail, vuelva a fijar el tornillo de tope en la parte trasera de la columna.

## 6.6 Desconexión de la perforadora de diamante **12**

### ADVERTENCIA

**Peligro para las personas y el material** Al taladrar hacia arriba la corona perforadora de diamante se llena de agua. La perforadora de diamante puede resultar dañada y aumenta el riesgo de recibir una descarga eléctrica.

▶ Una vez terminado el proceso de taladrado hacia arriba deberá evacuar inmediatamente el agua con mucho cuidado. Para ello debe separarse el suministro de agua en la regulación de agua y evacuar el agua mediante la apertura de la regulación de agua. El agua no debe evacuarse por encima del motor ni de la cubierta.

1. Cierre la regulación de agua en la perforadora de diamante.
2. Extraiga la corona perforadora de diamante del taladro.
3. Bloquee la perforadora de diamante con el inmovilizador del carro.
4. Desconecte la perforadora de diamante.
5. Desconecte el aspirador en húmedo, si lo hubiera.



## 6.7 Actuación en caso de atascamiento de la corona perforadora

En caso de atasco, se activa en primer lugar el acoplamiento de deslizamiento. A continuación, el sistema electrónico desconecta el motor y lo vuelve a conectar automáticamente dos veces sin intervención manual del usuario. Si aun así no se consigue desatascar, el sistema electrónico desconecta el motor durante 90 segundos. Puede desatascarlo de forma manual realizando las siguientes acciones:

### 6.7.1 Extracción de la corona perforadora mediante llave de boca

1. Extraiga el enchufe de red de la toma de corriente.
2. Sujete la corona perforadora de diamante por la zona próxima al extremo de inserción con una llave de boca adecuada y suelte la corona girando la llave.
3. Inserte el enchufe de red en la toma de corriente.
4. Continúe con el proceso de perforación.

### 6.7.2 Extracción de la corona de perforación con la rueda de mano

1. Extraiga el enchufe de red de la toma de corriente.
2. Retire la corona perforadora de la superficie de trabajo con la rueda manual.
3. Inserte el enchufe de red en la toma de corriente.
4. Continúe con el proceso de perforación.

## 6.8 Desmontaje de la perforadora de diamante

1. Extraiga el enchufe de red de la toma de corriente.
2. Desmonte la corona perforadora de diamante con portaútiles BI+. 50
3. Retire el testigo en caso necesario.
4. Desmonte la perforadora de diamante de la superficie de trabajo.



Para desmontar el sistema en una pieza, se recomienda, tras su desconexión, bajar la herramienta al riel completamente hasta que la corona de perforación esté en contacto con la superficie de trabajo. De esta forma, se evita la caída de la perforadora de diamante.

## 7 Cuidado, transporte y almacenamiento

### 7.1 Cuidado y mantenimiento



#### ADVERTENCIA

**Peligro de descarga eléctrica.** La realización de tareas de cuidado y mantenimiento con el enchufe conectado a la toma de corriente de puede provocar lesiones y quemaduras graves.

- ▶ Extraiga siempre el enchufe de la toma de corriente antes de realizar cualquier tarea de cuidado y mantenimiento.

#### Cuidado

- Retire con cuidado la suciedad fuertemente adherida.
- Limpie cuidadosamente las rejillas de ventilación con un cepillo seco.
- Limpie la carcasa utilizando únicamente un paño ligeramente humedecido. No utilice limpiadores que contengan silicona, ya que podría afectar a las piezas de plástico.

#### Mantenimiento



#### ADVERTENCIA

**Riesgo de descarga eléctrica.** Las reparaciones indebidas en componentes eléctricos pueden producir lesiones graves y quemaduras.

- ▶ Las reparaciones de la parte eléctrica sólo puede llevarlas a cabo un técnico electricista cualificado.
- Compruebe con regularidad si las piezas visibles están dañadas o si los elementos de manejo funcionan correctamente.
- No utilice el producto si presenta daños o fallos que afecten al funcionamiento. Llévela de inmediato al Servicio Técnico de **Hilti** para que la reparen.
- Coloque todos los dispositivos de protección después de las tareas de cuidado y mantenimiento y compruebe su correcto funcionamiento.



**i** Para garantizar un correcto funcionamiento, utilice exclusivamente piezas de repuesto y material de consumo originales. Puede encontrar piezas de repuesto, consumibles y accesorios para su producto que nosotros mismos comercializamos en **Hilti Store** o en: [www.hilti.group](http://www.hilti.group).

## 7.2 Cuidado de la perforadora de diamante

- ▶ No utilice pulverizadores, aparatos de chorro de vapor o agua corriente para la limpieza.
  - ▶ Evite que penetren cuerpos extraños en el interior.
- ▶ Limpie regularmente el portaútiles y los segmentos de sujeción con un paño de limpieza y lubríquelos con spray **Hilti**.
- ▶ Elimine las partículas de suciedad del portaútiles.
- ▶ Extraiga ocasionalmente el filtro de la entrada de agua de la empuñadura lateral y limpie el tamiz del filtro con agua en el sentido contrario a la corriente.
- ▶ Desmonte y limpie el indicador del caudal de agua si este presenta suciedad.
  - ▶ No utilice agentes abrasivos ni objetos corrosivos para la limpieza de la mirilla.

## 7.3 Transporte y almacenamiento

### Transporte

- ▶ No transporte este producto con el útil insertado.
- ▶ Asegúrese de que durante el transporte esté bien sujeto.
- ▶ Compruebe tras cada transporte si las piezas visibles están dañadas o si los elementos de manejo funcionan correctamente.

### Almacenamiento

- ▶ Almacene este producto siempre con los enchufes desconectados.
- ▶ Guarde este producto en un lugar seco y fuera del alcance de niños y personas no autorizadas.
- ▶ Cuando lleve mucho tiempo almacenado, compruebe si las piezas visibles están dañadas y si los elementos de manejo funcionan correctamente.

## 8 Ayuda en caso de averías

Si se producen averías que no estén incluidas en esta tabla o que no pueda solucionar usted, diríjase al Servicio Técnico de **Hilti**.

### 8.1 Tabla de anomalías

Anomalía	Posible causa	Solución
La perforadora de diamante no funciona	Interrumpido el suministro de corriente.	<ul style="list-style-type: none"> <li>▶ Conecte otra herramienta eléctrica y compruebe si funciona.</li> <li>▶ Compruebe los conectores, el cable de red, el cable eléctrico y el fusible de la red.</li> </ul>
	Interruptor de conexión y desconexión defectuoso.	▶ En caso necesario, encargar la reparación de la herramienta al servicio técnico de Hilti.
	Alimentación de corriente interrumpida.	▶ Compruebe el cable de red, el alargador, el enchufe de red y el PRCD; en caso necesario, encargue su sustitución a personal técnico cualificado.
	Electrónica defectuosa.	▶ En caso necesario, encargar la reparación de la herramienta al servicio técnico de Hilti.
	Hay agua en el motor.	▶ Deje la perforadora de diamante en un lugar caliente y seco para que se seque por completo.



Anomalía	Posible causa	Solución
El indicador de funcionamiento está encendido	El límite de desgaste de las escobillas de carbón está a punto de alcanzarse. La perforadora de diamante seguirá funcionando unas horas antes de desconectarse de forma automática.	► Cambie las escobillas de carbón cuando se presente la próxima oportunidad.
La perforadora de diamante no funciona, y el indicador de funcionamiento se ilumina	Escobillas de carbón desgastadas.	► Sustituya las escobillas de carbón.
La perforadora de diamante no funciona, y el indicador de funcionamiento parpadea	Motor sobrecalentado.	► Espere unos minutos hasta que se enfríe el motor o deje la perforadora de diamante funcionando en marcha en vacío para acelerar el proceso de enfriamiento. Desconecte la perforadora de diamante y, a continuación, vuélvala a conectar.
	Error por sobrecarga.	► Desconecte la perforadora de diamante y, a continuación, vuélvala a conectar.
La perforadora de diamante no funciona, y el indicador de protección antirrobo parpadea	Perforadora de diamante no desbloqueada (en caso de perforadoras de diamante con protección antirrobo, opcional).	► Desbloquee la perforadora de diamante con la llave de activación.
La corona perforadora de diamante no gira.	Interruptor del cambio no enclavado.	► <b>Presione el interruptor del cambio hasta que quede enclavado.</b>
	La corona perforadora de diamante se ha atascado en la superficie de trabajo.	► Extracción de la corona perforadora de diamante con la llave de boca: Extraiga el enchufe de red de la toma de corriente. Sujete la corona perforadora de diamante por la zona próxima al extremo de inserción con una llave de boca adecuada y suelte la corona girando la llave.
		Taladrado guiado con soporte ► Gire la ruedecilla e intente extraer la corona perforadora de diamante con un movimiento del carro hacia delante y hacia atrás.
	Engranajes defectuosos.	► En caso necesario, encargar la reparación de la herramienta al servicio técnico de Hilti.
La velocidad de perforación disminuye.	Corona perforadora de diamante pulida.	► <b>Afile la corona perforadora de diamante en la placa de afilado.</b>
	Especificación incorrecta para la superficie de trabajo.	► Seleccione una especificación correcta para la corona perforadora de diamante.
	Volumen de agua demasiado elevado.	► Reduzca el volumen de agua con el mecanismo de regulación de agua.
	El testigo se atasca en la corona perforadora de diamante.	► Retire el testigo.



Anomalia	Posible causa	Solución
La velocidad de perforación disminuye.	Profundidad máxima de perforación alcanzada.	▶ Retire el testigo y utilice el alargador de la corona de perforación.
	La corona perforadora de diamante está defectuosa.	▶ Compruebe la presencia de daños en la corona perforadora de diamante y sustitúyala en caso necesario.
	El acoplamiento de deslizamiento se desacopla muy pronto o patina.	▶ En caso necesario, encargar la reparación de la herramienta al servicio técnico de Hilti.
	Freno cerrado.	▶ Abra el freno.
	Volumen de agua insuficiente.	▶ Compruebe la entrada de agua a la corona perforadora de diamante o aumente el volumen de agua con el mecanismo de regulación de agua.
	Proporción de acero elevada (se detecta porque en el agua se aprecian virutas de metal).	▶ Seleccione una especificación correcta para la corona perforadora de diamante.
La ruedecilla gira sin oponer resistencia.	Chaveta rota.	▶ Sustituya la chaveta.
Sale agua del cabezal de lavado o de la carcasa de los engranajes.	Presión del agua demasiado alta.	▶ Reduzca la presión del agua.
	Cierre el anillo-retén.	▶ Sustituya el anillo-retén.
No es posible colocar la corona perforadora de diamante en el portaútiles.	Extremo de inserción/portaútiles sucio o dañado.	▶ Limpie el extremo de inserción o el portaútiles y engráselos o sustitúyalos en caso necesario.

## 9 Reciclaje

Las herramientas Hilti están fabricadas en su mayor parte con materiales reutilizables. La condición para dicha reutilización es una separación adecuada de los materiales. En muchos países, Hilti recoge las herramientas usadas para su recuperación. Pregunte en el Servicio de Atención al Cliente de Hilti o a su asesor de ventas.



- ▶ No deseche las herramientas eléctricas, los aparatos eléctricos ni las baterías junto con los residuos domésticos.

## 10 Garantía del fabricante

- ▶ Si tiene alguna consulta acerca de las condiciones de la garantía, póngase en contacto con su sucursal local de Hilti.

# Manual de instruções original

## 1 Indicações sobre o Manual de instruções

### 1.1 Relativamente a este Manual de instruções

- **Aviso!** Antes de utilizar o produto, certifique-se de que leu e compreendeu o Manual de instruções fornecido com o produto incluindo as instruções, instruções de segurança e advertências, figuras e especificações. Familiarize-se sobretudo com todas as instruções, instruções de segurança e advertências, figuras, especificações, bem como com componentes e funções. Em caso de incumprimento existe perigo de choque eléctrico, incêndio e/ou ferimentos graves. Guarde o Manual de instruções incluindo todas as instruções, instruções de segurança e advertências para utilização posterior.



- Os produtos destinam-se ao utilizador profissional e só podem ser operados, mantidos e reparados por pessoal autorizado, devidamente qualificado. Estas pessoas deverão estar informadas em particular sobre os potenciais perigos. O produto e seu equipamento auxiliar podem representar perigo se usados incorrectamente por pessoas não qualificadas ou se usados para fins diferentes daqueles para os quais foram concebidos.
- O Manual de instruções fornecido corresponde ao actual avanço tecnológico no momento da impressão. Encontra a versão actual sempre online, na página de produtos Hilti. Para o efeito, siga a hiperligação ou o código QR neste Manual de instruções, identificado com o símbolo .
- Entregue o produto a outras pessoas apenas juntamente com o Manual de instruções.

## 1.2 Explicação dos símbolos

### 1.2.1 Advertências

As advertências alertam para perigos durante a utilização do produto. São utilizadas as seguintes palavras de aviso:

#### PERIGO

##### PERIGO !

- ▶ Indica perigo iminente que pode originar acidentes pessoais graves ou até mesmo fatais.

#### AVISO

##### AVISO !

- ▶ Indica um possível perigo que pode causar graves ferimentos pessoais, até mesmo fatais.

#### CUIDADO

##### CUIDADO !

- ▶ Indica uma situação potencialmente perigosa que pode originar ferimentos corporais ou danos materiais.

### 1.2.2 Símbolos na documentação

Nesta documentação são utilizados os seguintes símbolos:

	Leia o manual de instruções antes da utilização
	Instruções de utilização e outras informações úteis
	Manuseamento com materiais recicláveis
	Não deitar as ferramentas eléctricas e baterias no lixo doméstico

### 1.2.3 Símbolos nas figuras

Em figuras são utilizados os seguintes símbolos:

	Estes números referem-se à respectiva imagem no início deste Manual
	A numeração reproduz uma sequência dos passos de trabalho na imagem e pode divergir dos passos de trabalho no texto
	Na figura <b>Vista geral</b> são utilizados números de posição que fazem referência aos números da legenda na secção <b>Vista geral do produto</b>
	Este símbolo pretende despertar a sua atenção durante o manuseamento do produto.

## 1.3 Símbolos no produto

### 1.3.1 Sinal de obrigação

No produto são utilizados os seguintes sinais de obrigação:

	Use óculos de protecção
--	-------------------------



	Use capacete de protecção
	Use protecção auricular
	Use luvas de protecção
	Use calçado de segurança
	Use máscara antipoeiras

### 1.3.2 Indicação de estado

No produto são utilizados os seguintes símbolos:

	Indicador de protecção anti-roubo
	Indicador de performance de perfuração
	Indicador de manutenção

### 1.3.3 Símbolos dependentes do produto

No produto, podem usar-se os seguintes símbolos:

	É proibido o transporte por grua
	Equipado com sistema de protecção anti-roubo
A	Ampere
V	Volt
	Corrente alternada
W	Watt
Hz	Hertz
$n_0$	Velocidade nominal de rotação sem carga
$\varnothing$	Diâmetro
mm	Milímetro
/min	Rotações por minuto
	Transferência de dados sem fios





## 1.4 Placas de indicação

### Sobre coluna, placa base e perfurador diamantado

	<p>→ <b>No suporte de coluna e na base de vácuo</b></p> <p><b>Em cima:</b> Para perfurações horizontais com fixação por vácuo, a coluna não pode ser utilizada sem um dispositivo de segurança adicional.</p> <p><b>Em baixo:</b> A ferramenta não pode ser segura apenas por vácuo quando utilizada para perfurações em suspensão.</p>
	<p>→ <b>No perfurador diamantado</b></p> <p>Ao perfurar com água, é obrigatória a utilização de um sistema colector de água em conjunto com um aspirador de líquidos ao efectuar furos no tecto.</p>
	<p>→ <b>No perfurador diamantado</b></p> <p>É obrigatório usar um disjuntor de segurança PRCD.</p>

## 1.5 Dados informativos sobre o produto

Os produtos destinam-se ao utilizador profissional e só podem ser operados, mantidos e reparados por pessoal autorizado, devidamente qualificado. Estas pessoas deverão estar informadas em particular sobre os potenciais perigos. O produto e seu equipamento auxiliar podem representar perigo se usados incorrectamente por pessoas não qualificadas ou se usados para fins diferentes daqueles para os quais foram concebidos.

A designação e o número de série são indicados na placa de características.

- ▶ Registe o número de série na tabela seguinte. Precisa dos dados do produto para colocar questões ao nosso representante ou posto de serviço de atendimento aos clientes.

### Dados do produto

Perfurador diamantado	DD 160
Geração:	02
N.º de série:	

## 1.6 Declaração de conformidade

Declaramos sob nossa exclusiva responsabilidade que o produto aqui descrito está em conformidade com as directivas e normas em vigor. Na parte final desta documentação encontra uma reprodução do organismo de certificação.

As documentações técnicas estão aqui guardadas:

Hilti Entwicklungsgesellschaft mbH | Zulassung Geräte | Hiltistraße 6 | 86916 Kaufering, DE

## 2 Segurança

### 2.1 Normas de segurança gerais para ferramentas eléctricas

**AVISO** Leia todas as normas de segurança, instruções, imagens e dados técnicos, com os quais esta ferramenta eléctrica está equipada. O não cumprimento das instruções a seguir pode resultar em choque eléctrico, incêndio e/ou ferimentos graves.

**Guarde bem todas as normas de segurança e instruções para futura referência.**



O termo “ferramenta eléctrica” utilizado nas normas de segurança refere-se a ferramentas com ligação à corrente eléctrica (com cabo de alimentação) ou a ferramentas a bateria (sem cabo).

### Segurança no posto de trabalho

- ▶ **Mantenha a sua área de trabalho limpa e bem iluminada.** Locais desarrumados ou mal iluminados podem ocasionar acidentes.
- ▶ **Não utilize a ferramenta eléctrica em ambientes explosivos ou na proximidade de líquidos ou gases inflamáveis.** Ferramentas eléctricas produzem faíscas que podem provocar a ignição de pó e vapores.
- ▶ **Mantenha crianças e terceiros afastados durante os trabalhos.** Distacções podem conduzir à perda de controlo sobre a ferramenta.

### Segurança eléctrica

- ▶ **A ficha da ferramenta eléctrica deve servir na tomada. A ficha não deve ser modificada de modo algum. Não utilize quaisquer adaptadores com ferramentas eléctricas com ligação terra.** Fichas originais (não modificadas) e tomadas adequadas reduzem o risco de choque eléctrico.
- ▶ **Evite o contacto do corpo com superfícies ligadas à terra, como, por exemplo, canos, radiadores, fogões e frigoríficos.** Existe um risco elevado de choque eléctrico se o corpo estiver com ligação à terra.
- ▶ **As ferramentas eléctricas não devem ser expostas à chuva nem à humidade.** A infiltração de água numa ferramenta eléctrica aumenta o risco de choque eléctrico.
- ▶ **Não use o cabo de ligação para transportar, pendurar ou desligar a ferramenta eléctrica da tomada. Mantenha o cabo de ligação afastado de calor, óleo, arestas vivas ou partes em movimento.** Cabos de ligação danificados ou emaranhados aumentam o risco de choque eléctrico.
- ▶ **Quando operar uma ferramenta eléctrica ao ar livre, utilize apenas cabos de extensão próprios para utilização no exterior.** A utilização de um cabo de extensão próprio para utilização no exterior reduz o risco de choques eléctricos.
- ▶ **Utilize um disjuntor diferencial se não puder ser evitada a utilização da ferramenta eléctrica em ambiente húmido.** A utilização de um disjuntor diferencial reduz o risco de choque eléctrico.

### Segurança física

- ▶ **Esteja alerta, observe o que está a fazer, e tenha prudência ao trabalhar com uma ferramenta eléctrica. Se estiver cansado ou sob influência de drogas, álcool ou medicamentos não efectue nenhum trabalho com ferramentas eléctricas.** Um momento de distracção ao operar a ferramenta eléctrica pode causar ferimentos graves.
- ▶ **Use equipamento de segurança. Use sempre óculos de protecção.** Equipamento de segurança, como, por exemplo, máscara antipoeiras, sapatos de segurança antiderrapantes, capacete de segurança ou protecção auricular, de acordo com o tipo e aplicação da ferramenta eléctrica, reduzem o risco de lesões.
- ▶ **Evite um arranque involuntário. Assegure-se de que a ferramenta eléctrica está desligada antes de a ligar à fonte de alimentação e/ou à bateria, pegar nela ou a transportar.** Transportar a ferramenta eléctrica com o dedo no interruptor ou ligar uma ferramenta à tomada com o interruptor ligado (ON) pode resultar em acidentes.
- ▶ **Remova quaisquer chaves de ajuste (chaves de fenda), antes de ligar a ferramenta eléctrica.** Um acessório ou chave deixado preso numa parte rotativa da ferramenta pode causar ferimentos.
- ▶ **Evite posturas corporais desfavoráveis. Mantenha sempre uma posição correcta, em perfeito equilíbrio.** Desta forma será mais fácil manter o controlo sobre a ferramenta eléctrica em situações inesperadas.
- ▶ **Use roupa apropriada. Não use roupa larga ou jóias. Mantenha o cabelo, vestuário e luvas afastados das peças móveis.** Roupas largas, jóias ou cabelos compridos podem ficar presos nas peças móveis.
- ▶ **Se poderem ser montados sistemas de remoção e de recolha de pó, assegure-se de que estes estão ligados e são utilizados correctamente.** A utilização de um sistema de remoção de pó pode reduzir os perigos relacionados com a exposição ao mesmo.
- ▶ **Não se acomode numa falsa sensação de segurança e não ignore os regulamentos de segurança para ferramentas eléctricas, mesmo se estiver familiarizado com a ferramenta eléctrica após numerosas utilizações.** Agir de forma descuidada pode causar ferimentos graves dentro duma fracção de segundo.

### Utilização e manuseamento da ferramenta eléctrica

- ▶ **Não sobrecarregue a ferramenta. Use para o seu trabalho a ferramenta eléctrica correcta.** Com a ferramenta eléctrica adequada obterá maior eficiência e segurança se respeitar os seus limites.



- ▶ **Não utilize a ferramenta eléctrica se o interruptor estiver defeituoso.** Uma ferramenta eléctrica que já não possa ser accionada pelo interruptor é perigosa e deve ser reparada.
- ▶ **Retire a ficha da tomada e/ou remova uma bateria amovível antes de efectuar ajustes na ferramenta, substituir acessórios ou guardar a ferramenta.** Esta medida preventiva evita o accionamento acidental da ferramenta eléctrica.
- ▶ **Guarde ferramentas eléctricas não utilizadas fora do alcance das crianças. Não permita que a ferramenta seja utilizada por pessoas não familiarizadas com a mesma ou que não tenham lido estas instruções.** Ferramentas eléctricas operadas por pessoas não treinadas são perigosas.
- ▶ **Faça uma manutenção regular de ferramentas eléctricas e acessórios. Verifique se as partes móveis funcionam perfeitamente e não emperram ou se há peças quebradas ou danificadas que possam influenciar o funcionamento da ferramenta eléctrica. Peças danificadas devem ser reparadas antes da utilização da ferramenta.** Muitos acidentes são causados por ferramentas eléctricas com manutenção deficiente.
- ▶ **Mantenha as ferramentas de corte sempre afiadas e limpas.** Acessórios com gumes afiados tratados correctamente emperram menos e são mais fáceis de controlar.
- ▶ **Utilize a ferramenta eléctrica, acessórios, bits, etc., de acordo com estas instruções. Tome também em consideração as condições de trabalho e o trabalho a ser efectuado.** A utilização da ferramenta eléctrica para outros fins além dos previstos, pode ocasionar situações de perigo.
- ▶ **Mantenha punhos e respectivas superfícies secos, limpos e isentos de óleo e gordura.** Punhos e superfícies afins escorregadios não permitem um manuseamento e controlo seguro da ferramenta eléctrica em situações imprevistas.

#### Manutenção

- ▶ **A sua ferramenta eléctrica só deve ser reparada por pessoal qualificado e só devem ser utilizadas peças sobressalentes originais.** Isto assegurará que a segurança da ferramenta eléctrica se mantenha.

### 2.2 Normas de segurança para máquinas de perfuração diamantadas

- ▶ **Ao executar trabalhos de furação que exijam a utilização de água, desvie a água da área de trabalho ou utilize um sistema de recolha de líquidos.** Tais precauções mantêm a área de trabalho seca e reduzem o risco de choque eléctrico.
- ▶ **Opere a ferramenta eléctrica pelas áreas isoladas dos punhos, quando executar trabalhos onde a ferramenta de corte pode encontrar cabos eléctricos encobertos ou o próprio cabo de ligação.** O contacto de uma ferramenta de corte com um cabo sob tensão também pode colocar peças metálicas da ferramenta eléctrica sob tensão e causar um choque eléctrico.
- ▶ **Ao perfurar com equipamento diamantado, use protecção auricular.** Ruído em excesso pode levar à perda de audição.
- ▶ **Se o acessório encravar, não aplique mais força de avanço e desligue a ferramenta.** Verifique a razão do encravamento e elimine a causa de acessórios encravados.
- ▶ **Se pretender voltar a accionar uma máquina de perfuração diamantada que está presa no material, verifique antes de ligar se o acessório roda livremente.** Quando o acessório encrava, é possível que não rode e isto pode levar à sobrecarga da ferramenta ou a que a máquina de perfuração diamantada se solte do material.
- ▶ **Em caso de fixação da coluna ao material através de buchas e parafusos, assegure-se de que a ancoragem utilizada está em condições de, durante a utilização, manter a máquina segura.** Quando o material não tiver a resistência necessária ou for poroso, a bucha pode ser puxada para fora, fazendo com que a coluna se solte do material.
- ▶ **Ao furar através de paredes ou tectos, assegure-se de que pessoas e área de trabalho do outro lado estão protegidos.** A coroa de perfuração pode ir além do furo e a carote pode cair para fora do outro lado.
- ▶ **Não utilize esta ferramenta para trabalhos de furação por cima da cabeça com fornecimento de água.** A infiltração de água na ferramenta eléctrica aumenta o risco de choque eléctrico.

### 2.3 Normas de segurança adicionais

#### Segurança física

- ▶ **Não é permitida a modificação ou manipulação da ferramenta.**
- ▶ **A ferramenta não está concebida para pessoas debilitadas sem formação.**
- ▶ Mantenha a ferramenta afastada das crianças.
- ▶ **Evite o contacto com peças rotativas. Ligue a ferramenta apenas quando estiver no local de trabalho.** O contacto com peças rotativas, especialmente ferramentas rotativas, pode causar ferimentos.



- ▶ **Evite o contacto da pele com a lama resultante da perfuração.**
- ▶ Pós de materiais, como tinta com chumbo, algumas madeiras, betão/alvenaria/rochas quartzíferas, minerais e metal podem ser nocivos. O contacto ou a inalação do pó podem provocar reacções alérgicas e/ou doenças das vias respiratórias no utilizador ou em pessoas que se encontrem nas proximidades. Determinados pós, como os de carvalho ou de faia, são considerados cancerígenos, especialmente em combinação com aditivos para o tratamento de madeiras (cromato, produtos para a preservação de madeiras). Material que contenha amianto só pode ser manuseado por pessoal especializado. Utilize um sistema de remoção de pó o mais eficiente possível. Para isso, utilize um removedor de pó móvel recomendado pela **Hilti** para poeiras de madeira e/ou minerais, que tenha sido adaptado para esta ferramenta eléctrica. Assegure-se de que o local de trabalho está bem ventilado. Recomenda-se que use uma máscara antipoeiras adequada ao respectivo pó. Respeite as regulamentações em vigor no seu país relativas aos materiais a trabalhar.
- ▶ O perfurador diamantado e a coroa diamantada são pesados. Pode haver esmagamentos. **O utilizador e restantes pessoas que se encontrem na proximidade da ferramenta devem usar óculos de protecção, capacete de segurança, protecção auricular, luvas de protecção e botas de protecção.**

#### Utilização e manutenção de ferramentas eléctricas

- ▶ **Assegure-se de que a ferramenta está devidamente fixa na coluna.**
- ▶ **Assegure-se de que um limitador de curso está sempre colocado na coluna; caso contrário, não está assegurada a função do limitador de curso, relevante em termos de segurança.**
- ▶ **Verifique se os acessórios utilizados são compatíveis com o sistema de encaixe e se estão correctamente encaixados no mandril.**

#### Segurança eléctrica

- ▶ **Evite utilizar extensões de cabo com tomadas múltiplas, bem como utilizar vários equipamentos ligados à mesma extensão.**
- ▶ **A ferramenta deve apenas ser operada quando conectada a uma fonte de alimentação com condutor de protecção e adequadamente dimensionada.**
- ▶ **Antes de iniciar os trabalhos, verifique o local de trabalho relativamente a cabos eléctricos encobertos, bem como tubos de gás e água, por ex., com um detector de metais.** Partes metálicas externas da ferramenta podem transformar-se em condutores de corrente se, por ex., uma linha eléctrica for danificada inadvertidamente. Isto representa um sério perigo de choque eléctrico.
- ▶ **Certifique-se de que o cabo de alimentação não é danificado durante o avanço do patim.**
- ▶ **Nunca opere a ferramenta sem o PRCD fornecido juntamente (para ferramentas sem PRCD, nunca sem transformador de isolamento). Verifique o PRCD antes de cada utilização.**
- ▶ **Verifique o cabo eléctrico regularmente. Se danificado, deve ser imediatamente substituído por um especialista. Quando o cabo de ligação da ferramenta eléctrica está danificado, deve ser substituído por um cabo de ligação específico e aprovado, que se encontra disponível através do Serviço de Clientes Hilti. Verifique as extensões de cabo regularmente. Se estiverem danificadas, deverão ser substituídas. Se danificar o cabo enquanto trabalha, não lhe toque e desligue a ferramenta imediatamente. Retire a ficha de rede da tomada. Linhas de conexão e extensões danificadas representam um risco de choque eléctrico.**
- ▶ **Nunca utilize a ferramenta se esta estiver suja ou molhada.** O pó (nomeadamente o pó resultante de materiais condutores) ou a humidade aderente à superfície da ferramenta podem, sob condições desfavoráveis, causar choques eléctricos. Por conseguinte, se trabalha materiais condutores com frequência, recomendamos que mande verificar periodicamente a sua ferramenta por um Centro de Assistência Técnica Hilti.

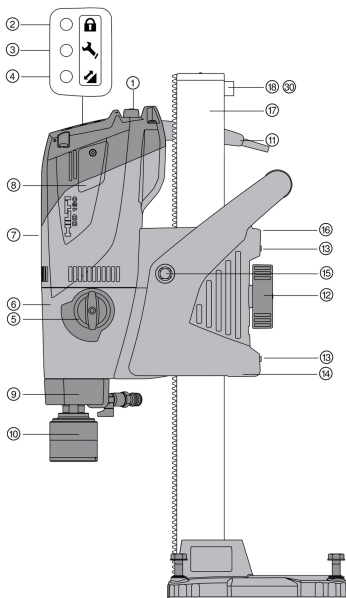
#### Local de trabalho

- ▶ **Deverá obter-se previamente junto do engenheiro ou arquitecto da obra uma autorização para iniciar trabalhos de perfuração e corte.** Os trabalhos de perfuração em edifícios podem influenciar a estática da estrutura, especialmente quando se cortam vigas de reforço ou outros componentes de suporte.
- ▶ **Mova a ferramenta montada na coluna, em caso de coluna não devidamente fixada, sempre totalmente para baixo, de modo a evitar que tombe.**
- ▶ **Mantenha o cabo de alimentação e a extensão, a mangueira de aspiração e de vácuo longe de elementos rotativos.**
- ▶ **Ao perfurar com água, é obrigatória a utilização de um sistema colector de água em conjunto com um aspirador de líquidos ao efectuar furos no tecto.**
- ▶ **Para efectuar furos no tecto é proibido utilizar a fixação por vácuo sem fixação adicional.**
- ▶ **Para perfurações horizontais com fixação por vácuo (acessório), a coluna não pode ser utilizada sem um dispositivo de segurança adicional.**



### 3 Descrição

#### 3.1 Perfurador diamantado DD 160-U



- ① Interruptor on/off
- ② Indicador de protecção anti-roubo
- ③ Indicador de manutenção
- ④ Indicador de performance de perfuração
- ⑤ Selector de velocidades
- ⑥ Secção da engrenagem
- ⑦ Motor
- ⑧ Tampa das escovas de carvão
- ⑨ Ligaçao da água
- ⑩ Mandril
- ⑪ Cabo de alimentação com PRCD
- ⑫ Mecanismo de travamento do patim
- ⑬ Parafuso de ajuste da folga do patim
- ⑭ Patim
- ⑮ Manga do volante
- ⑯ Suporte do cabo
- ⑰ Coluna
- ⑱ Parafuso de encosto
- ⑳ Parafuso de encosto

#### 3.2 Coluna de perfuração

##### Suporte de coluna com base combinada

- ⑱ Parafuso de encosto
- ⑲ Carril
- ⑳ Válvula de segurança (vácuo)
- ㉑ Manómetro
- ㉒ Indicador de nível
- ㉓ Ligaçao de vácuo
- ㉔ Base combinada
- ㉕ Punho
- ㉖ Alavanca de ajuste
- ㉗ Indicador de centragem do furo
- ㉘ Parafuso de nivelamento
- ㉙ Vedante de vácuo

##### Coluna com base de bucha

- ⑳ Parafuso de encosto
- ㉑ Carril
- ㉒ Placa base (bucha, pequena)
- ㉓ Parafuso de nivelamento

#### 3.3 Acessórios (opcional)

- ⑳ Manipulo em cruz
- ㉑ Alavanca
- ㉒ Limitador de profundidade
- ㉓ Varão de enroscar
- ㉔ Peça de rotação da coluna
- ㉕ Kit de rodas
- ㉖ Base de vácuo

##### Sistema de colecta de água

- ⑳ Suporte
- ㉑ Colector da água
- ㉒ Disco vedante

#### 3.4 Utilização conforme a finalidade projectada

O produto descrito é um perfurador diamantado, eléctrico. Foi concebido para furação a húmido com suporte de coluna de furos de atravessamento e furos cegos em materiais minerais (com armação). **Não é permitida a aplicação manual do perfurador diamantado.**



O produto descrito foi concebido para uso profissional e só deve ser utilizado, mantido e reparado por pessoal autorizado e devidamente credenciado. Estas pessoas deverão ser informadas sobre os potenciais perigos que a ferramenta representa. O produto descrito e o seu equipamento auxiliar podem representar perigo se usados incorrectamente por pessoas não qualificadas ou se usados para fins diferentes daqueles para os quais foram concebidos.

- ▶ Utilize sempre uma coluna na aplicação do perfurador diamantado. A coluna deve estar suficiente fixa através de placa da bucha ou de vácuo no material base.
- ▶ Ao efectuar trabalhos de ajuste na base, não utilize nenhuma ferramenta de percussão (martelo).
- ▶ Certifique-se de que a corrente eléctrica à qual a ferramenta é ligada está de acordo com a mencionada na placa de características.
- ▶ Respeite os requisitos nacionais de segurança no trabalho.
- ▶ Observe igualmente as instruções de utilização e segurança dos acessórios.
- ▶ Utilize apenas acessórios e coroas de perfuração da **Hilti**, de forma a evitar ferimentos.

### 3.5 Incluído no fornecimento

Perfurador diamantado, volante, manual de instruções.

A coluna de perfuração é fornecida em separado. Poderá encontrar outros produtos de sistema aprovados para o seu produto na sua **Hilti Store** ou em: [www.hilti.group](http://www.hilti.group)

### 3.6 Indicador de performance de perfuração

O perfurador diamantado está equipado com um indicador de performance de perfuração com sinal luminoso.

Símbolo	Estado	Significado
	aceso a cor-de-laranja	Força de pressão insuficiente
	aceso a verde	Força de pressão ideal
	aceso a vermelho	Força de pressão demasiado elevada

### 3.7 Indicador de manutenção

O perfurador diamantado está equipado com um indicador de manutenção com sinal luminoso.

Símbolo	Estado	Significado
	aceso a vermelho Produto está a trabalhar	As escovas de carvão estão muito gastas. Foi atingido o tempo de trabalho predeterminado e requer-se agora uma manutenção. Depois de a luz acender pela primeira vez, poderá continuar a utilizar-se durante algumas horas, antes de ser activada a desactivação automática. Leve o produto atempadamente ao Centro de Assistência Técnica <b>Hilti</b> .
	aceso a vermelho Produto não está a trabalhar	É preciso trocar as escovas.
	pisca a vermelho	Sobreaquecimento ou dano no perfurador diamantado. Consultar Ajuda em caso de avarias.

## 4 Características técnicas

### 4.1 Características do produto

Peso	Base de bucha	35,9 lb (16,3 kg)
	Base combinada	42,5 lb (19,3 kg)



<b>Dimensões (C×L×A)</b>	<b>Base de bucha</b>	15,7 in x 37,2 in x 6,5 in (400 mm x 945 mm x 165 mm)
	<b>Base combinada</b>	24,0 in x 37,5 in x 9,8 in (610 mm x 952 mm x 250 mm)
<b>Velocidade nominal de rotação sem carga</b>	<b>1.ª velocidade</b>	460 rpm
	<b>2.ª velocidade</b>	760 rpm
	<b>3.ª velocidade</b>	1 690 rpm
<b>Classe de protecção</b>	Classe I de protecção (com ligação terra)	
<b>Potência nominal (a 230 V)</b>	2 200 W	
<b>Pressão máxima permitida da água</b>	73 psi (5 bar)	

#### 4.2 Tensão nominal

O produto está disponível em versões com várias tensões nominais. Verifique sempre a informação inscrita na placa de características do produto.

Tensão nominal	100 V	110 V GB	110 V TW	120 V	127 V	220 V	230 V	240 V
Corrente nominal	15 A	16 A	15 A	19,5 A	18,5 A	10 A	10,3 A	9,9 A
Frequência da rede	50/60 Hz	50/60 Hz	50/60 Hz	60 Hz	50/60 Hz	50/60 Hz	50/60 Hz	50/60 Hz

#### 4.3 Utilização de extensões de cabo

Utilize apenas extensões de cabo aprovadas para o tipo de aplicação em causa e com a secção adequada.

**Secções de cabo mínimas recomendadas e comprimentos máximos:**

Secção do cabo → ↓ Tensão de rede	1,5 mm <sup>2</sup>	2,5 mm <sup>2</sup>	3,5 mm <sup>2</sup>	4,0 mm <sup>2</sup>
100 V	não recomendado	não recomendado	25 m	não recomendado
110 V	não recomendado	15 m	não recomendado	30 m
127 V	não recomendado	20 m	não recomendado	35 m
220 V	35 m	65 m	não recomendado	105 m
230 V	40 m	70 m	não recomendado	não recomendado
240 V	40 m	70 m	não recomendado	110 m

#### 4.4 Aplicação com diferentes equipamentos

Equipamento	Diâmetro da coroa de perfuração	Direcção da perfuração
Sem sistema colector de água sem extracção de pó	1,0 in ... 8,0 in (25 mm ... 202 mm)	Não para cima
Com sistema colector de água sem extracção de pó	1,0 in ... 6,4 in (25 mm ... 162 mm)	Não para cima
Com sistema colector de água Com extracção de pó	1,0 in ... 6,4 in (25 mm ... 162 mm)	Todas as direcções



#### 4.5 Velocidades e diâmetros de coroa correspondentes

Velocidade	Diâmetro da coroa de perfuração	Velocidade de rotação em vazio
1	6,0 in ... 8,0 in (152 mm ... 202 mm)	460 rpm
2	2,8 in ... 5,6 in (72 mm ... 142 mm)	760 rpm
3	1,0 in ... 2,6 in (25 mm ... 67 mm)	1 690 rpm

## 5 Colocação em funcionamento e preparação do trabalho

### 5.1 Fixar o perfurador diamantado na coluna de perfuração

#### CUIDADO

**Risco de ferimentos** Perigo devido a arranque involuntário do perfurador diamantado.

► O perfurador diamantado não deve estar ligado à corrente eléctrica durante os trabalhos de montagem.

1. Retire o parafuso de encosto da parte posterior do carril.
2. Coloque o perfurador diamantado sobre a abertura prevista no carril.
3. Bloqueie o perfurador diamantado, fixando o mecanismo de travamento do patim por completo, rodando-o.
4. Verifique a fixação segura do perfurador diamantado rodando ligeiramente no volante.
5. Monte o batente final no carril e verifique a fixação segura.



Verifique a folga do patim e, se necessário, ajuste-a.

### 5.2 Montar o volante à coluna



O volante pode ser montado no lado esquerdo ou no lado direito do patim.

1. Para montagem do volante, puxe o anel preto para trás.
2. Ajuste o volante no eixo.

### 5.3 Fixar a coluna com bucha

#### AVISO

**Perigo de ferimentos devido à utilização de bucha errada!** A ferramenta pode desprender-se e provocar danos.

► Utilize a bucha adequada ao material base existente e tenha em atenção as instruções de montagem do fabricante da bucha.



Normalmente, as **Hilti** buchas de expansão metálicas HKV 16 são adequadas para fixações do equipamento de perfuração diamantado em betão não fissurado. No entanto, em determinadas condições, pode ser necessária uma fixação alternativa. Em caso de dúvidas quanto à fixação segura, contacte o Serviço de Assistência Técnica da **Hilti**.

1. Aplique a bucha adequada ao material base. Escolha a distância de acordo com a placa base utilizada.

Características técnicas	
Base de bucha	10,6 in (270 mm)
Base combinada	11,4 in (290 mm)






2. Enrosque o varão de aperto na bucha.
3. Coloque a placa base do perfurador diamantado sobre o varão e alinhe-a.
4. Enrosque a porca de aperto no varão, sem apertar firmemente.
5. Nivele a placa base com os parafusos de nivelamento. Certifique-se de que os parafusos de nivelamento estão bem apoiados no material base.
6. Aperte a porca de aperto no varão com uma chave de forqueta adequada.
7. Assegure-se de que o perfurador diamantado está fixo com segurança.

#### 5.4 Fixar a coluna com vácuo


##### AVISO

##### Perigo de ferimentos caso falte o controlo da pressão !

- ▶ Antes de iniciar a perfuração e enquanto durar a operação, certifique-se de que o ponteiro do manómetro se mantém na faixa verde.

 Quando a coluna com base da bucha é utilizada, estabeleça uma ligação firme e nivelada entre base de vácuo e base da bucha. aparafuse a base de bucha sobre a base de vácuo. Certifique-se de que a coroa de perfuração escolhida não danifica a base de vácuo.

Para perfurações horizontais, fixe adicionalmente o perfurador diamantado (p. ex., corrente fixa por uma bucha).

 Antes do posicionamento da coluna assegure-se de que está disponível espaço suficiente para montagem e manuseamento.

1. Rode todos os parafusos de nivelamento de modo a que sobressaiam aprox. 5 mm da parte de baixo da placa base.
2. Una a ligação de vácuo da base de vácuo à bomba de vácuo.
3. Determine o centro do furo. Trace uma linha desde o centro do furo até ao ponto onde a ferramenta deve ser colocada.
4. Sobre a linha, coloque uma marca à distância indicada desde o centro do furo.

##### Características técnicas

Base combinada	11,4 in (290 mm)
Base de vácuo	11,4 in (290 mm)

5. Ligue a bomba de vácuo, prima a válvula de ventilação e mantenha-a premida.
6. Alinhe a marca da placa base sobre a linha.
7. Se o perfurador diamantado estiver correctamente posicionado, solte a válvula de segurança e pressione a placa base contra o material a ser furado.
8. Nivele a placa base com os parafusos de nivelamento.
9. Assegure-se de que o perfurador diamantado está fixo com segurança.

#### 5.5 Fixar suporte de coluna com varão de enroscar

1. Monte o varão de enroscar na extremidade superior da coluna.
2. Posicione o suporte de coluna sobre o material base.
3. Nivele a placa base com os parafusos de nivelamento.
4. Aperte a coluna com o varão de enroscar e contra-aperte-a.
5. Verifique a fixação segura da coluna de perfuração.



## 5.6 Ajustar o ângulo na coluna de suporte com base combinada

### CUIDADO

**Tomar cuidado para não trilhar os dedos!** A libertação do mecanismo de aperto pode levar a que a coluna tombe subitamente.

- ▶ Use luvas de protecção.
- ▶ Antes de soltar o mecanismo de aperto, segure a coluna para que não tombe.


1. Soltar a alavanca de ajuste, em baixo na coluna, até que os ressaltos de localização desengatem.
2. Coloque a coluna na posição desejada.
3. Mova a alavanca de ajuste até que os ressaltos estejam completamente engatados e a coluna esteja novamente fixa.

## 5.7 Ligar o fornecimento de água (acessório)

### ATENÇÃO

**Perigo em caso de utilização incorrecta!** Em caso de utilização incorrecta, a mangueira poderá ser destruída.

- ▶ Verifique periodicamente o estado da mangueira e assegure-se de que não é excedida a pressão máxima permitida da água (consultar Características técnicas).
- ▶ Certifique-se de que a mangueira não entra em contacto com peças em rotação.
- ▶ Certifique-se de que a mangueira não é danificada durante o avanço do patim.
- ▶ Tenha em atenção a indicação sobre a temperatura máxima da água no capítulo Características técnicas.
- ▶ Verifique a estanquidade do sistema de alimentação de água utilizado.

 Utilize apenas água potável ou água sem partículas de sujidade de modo a evitar uma danificação dos componentes.

Como acessório pode ser montado um indicador do fluxo de água entre a ferramenta e a ligação do abastecimento.

1. Feche o regulador do fluxo de água no perfurador diamantado.
2. Estabeleça a ligação ao fornecimento de água (ligação para mangueira).

## 5.8 Montar o sistema colector de água (acessório)

### AVISO


**Perigo devido a choque eléctrico!** Em caso de aspiração defeituosa pode correr água através do motor e da cobertura!

- ▶ Interrompa imediatamente o trabalho quando a aspiração deixar de funcionar.

### CUIDADO

**Risco de ferimentos!** Arranque inadvertido do produto.

- ▶ Retire a ficha antes de efectuar ajustes na ferramenta ou substituir acessórios.

 Nas perfurações para cima, o perfurador diamantado deverá estar posicionado num ângulo de 90° relativamente ao tecto. O disco vedante do sistema colector de água deve estar adaptado ao diâmetro da coroa diamantada.

A utilização do sistema colector permite que a água seja drenada da coroa, evitando assim sujar a área circundante ao furo.

1. Retire o parafuso na coluna de perfuração.
2. Monte o suporte do colector de água com o parafuso na coluna de perfuração.
3. Coloque o colector da água com vedante montado e disco vedante entre os dois braços móveis do suporte do colector de água.
4. Fixe o colector da água com os dois parafusos no suporte do colector de água contra o material base.



- Ligue um aspirador de líquidos ao colector da água ou estabeleça uma conexão com uma mangueira, através da qual a água possa escoar.

## 5.9 Montagem da coroa diamantada de perfuração com porta-ferramentas BI+

### CUIDADO

**Risco de ferimentos ao efectuar a substituição de acessórios !** O acessório fica quente após utilização prolongada. Pode apresentar arestas vivas.

- ▶ Use sempre luvas de protecção durante a substituição de acessórios.

Coroas diamantadas têm de ser substituídas logo que a capacidade de corte ou o avanço da perfuração diminuir perceptivelmente. Isso acontece, em geral, quando os segmentos diamantados se desgastaram até um determinado nível.

- Trave o patim com o mecanismo de travamento do patim no carril. Assegure-se de que está fixo com segurança.
- Abra o porta-ferramentas, rodando-o no sentido do símbolo de “parêntesis abertos”.
- Insira a coroa diamantada de perfuração, a partir de baixo, no dentado do porta-ferramentas no perfurador diamantado e rode-a até que engate.
- Feche o porta-ferramentas, rodando-o no sentido do símbolo de “parêntesis fechados”.
- Verifique se a coroa diamantada de perfuração está bem encaixada no porta-ferramentas.

## 5.10 Seleccionar a rotação

### CUIDADO

**Perigo de desgaste** Perigo de danos na engrenagem

- ▶ Não altere a velocidade com a ferramenta em funcionamento. Aguarde a paragem do veio.
- ▶ Mova o selector de velocidades para a velocidade recomendada enquanto faz rodar a coroa manualmente.

## 5.11 Desmontagem da coroa diamantada de perfuração com porta-ferramentas BI+

### CUIDADO

**Risco de ferimentos ao efectuar a substituição de acessórios !** O acessório fica quente após utilização prolongada. Pode apresentar arestas vivas.

- ▶ Use sempre luvas de protecção durante a substituição de acessórios.

- Trave o patim com o mecanismo de travamento do patim no carril. Assegure-se de que está fixo com segurança.
- Abra o porta-ferramentas, rodando-o no sentido do símbolo de “parêntesis abertos”.
- Puxe o anel na base do porta-ferramentas na direcção da ferramenta (seta). Isto destrava a coroa de perfuração.
- Retire a coroa diamantada de perfuração.

## 6 Utilização

### 6.1 Activar o perfurador diamantado com sistema de protecção anti-roubo TPS (opcional)

O perfurador diamantado DD 160 pode ser equipado opcionalmente com a função "Protecção anti-roubo". Se o perfurador diamantado estiver equipado com esta função, só pode ser activado e preparado para ser utilizado através da respectiva chave de activação.

No manual de instruções "Sistema de protecção anti-roubo TPS", poderá encontrar mais informações pormenorizadas relativas à activação e emprego do sistema de protecção anti-roubo.

- Ligue a ficha de rede do perfurador diamantado à tomada.



2. Prima o botão **I** ou **RESET** no disjuntor de segurança PRCD.
  - ▶ A luz indicadora amarela do sistema de protecção anti-roubo pisca.
3. Segure a chave de activação directamente sobre o símbolo de bloqueio (cadeado).
  - ▶ A luz amarela do sistema de protecção anti-roubo apaga-se. A ferramenta eléctrica está activada.



Se a alimentação eléctrica for interrompida, o perfurador diamantado mantém-se operacional durante cerca de 20 minutos. Quando a interrupção é mais prolongada, é necessário desactivar de novo a protecção contra roubo através da chave de activação.

## 6.2 Operar o disjuntor de segurança PRCD



Para perfuradores diamantados sem PRCD tem de ser utilizado um transformador de isolamento.

1. Encaixe a ficha do perfurador diamantado numa tomada de corrente com ligação à terra.
2. Prima o botão "I" ou "RESET" no disjuntor de segurança PRCD.
  - ▶ O indicador de performance de perfuração acende a cor-de-laranja.
3. Prima o botão "0" ou "TEST" no disjuntor de segurança PRCD.
  - ▶ O indicador de performance de perfuração apaga-se.



### AVISO

**Perigo de ferimentos devido a choque eléctrico!** Se a indicação no disjuntor diferencial não apagar ao pressionar a tecla **0** ou **TEST**, o perfurador diamantado não poderá continuar a ser utilizado!


- ▶ Mandar reparar o seu perfurador diamantado no Centro de Assistência Técnica **Hilti**.

4. Prima o botão "I" ou "RESET" no disjuntor de segurança PRCD.
  - ▶ O indicador de performance de perfuração acende a cor-de-laranja.

## 6.3 Operar o perfurador diamantado sem aspirador de líquidos

1. Abra lentamente o regulador do fluxo de água até que flua o volume de água desejado.



O perfurador diamantado pode ser operado com e sem sistema colector de água. Com sistema colector de água, a água de perfuração é escoada através de uma mangueira, sem sistema colector de água, a água escorre de forma descontrolada. Em caso de funcionamento com sistema colector de água, monte primeiro o sistema colector de água  68.

Em ambas as aplicações não são permitidas furações viradas para cima.

2. Pressione o interruptor on/off "I".
3. Abra o mecanismo de travamento do patim.
4. Rode o volante até que a coroa esteja em contacto com o material a furar.
5. No início da perfuração pressione apenas levemente, até que a coroa de perfuração se tenha centrado, só então deve aumentar a força de pressão.
6. Preste atenção ao indicador de performance de perfuração.



No início, o indicador de performance de perfuração acende a cor-de-laranja. A performance de perfuração ideal é conseguido quando o indicador de performance de perfuração acende a verde. Se o indicador de performance de perfuração acender a vermelho, diminuir a força de pressão.


## 6.4 Operar o perfurador diamantado com aspirador de líquidos **11**



### AVISO

**Perigo devido a choque eléctrico!** Em caso de aspiração defeituosa pode correr água através do motor e da cobertura!

- ▶ Interrompa imediatamente o trabalho quando a aspiração deixar de funcionar.

1. Monte o sistema colector de água  68 e conecte o aspirador de líquidos.
2. Ligue o aspirador de líquidos, não utilize o modo automático.
3. Abra lentamente o regulador do fluxo de água até que flua o volume de água desejado.
4. Pressione o interruptor on/off "I".
5. Abra o mecanismo de travamento do patim.



6. Rode o volante até que a coroa esteja em contacto com o material a furar.
7. No início da perfuração pressione apenas levemente, até que a coroa de perfuração se tenha centrado, só então deve aumentar a força de pressão.
8. Preste atenção ao indicador de performance de perfuração.



No início, o indicador de performance de perfuração acende a cor-de-laranja. A performance de perfuração ideal é conseguido quando o indicador de performance de perfuração acende a verde. Se o indicador de performance de perfuração acender a vermelho, diminuir a força de pressão.

## 6.5 Utilização do Rota-Rail (peça de rotação da coluna)

O Rota-Rail permite um acesso rápido e simples ao furo ou carote, sem que seja necessário desmontar o sistema, parcial ou completamente.

### AVISO

**Risco de ferimentos devido a aplicação errada!** A coluna pode ser danificada ou partir.

- ▶ Nunca utilize o Rota-Rail como prolongamento da coluna.

1. Trave o patim com o respetivo travamento. Assegure-se de que está fixo com segurança.
2. Retire o parafuso de encosto da parte posterior da coluna.
3. Fixe o Rota-Rail de modo que as cremalheiras apontem na mesma direção.
4. Aperte o parafuso no Rota-Rail.
5. Solte o travamento do patim e desloque o patim sobre o Rota-Rail.
6. Solte os parafusos de fixação do Rota-Rail e rode a ferramenta com o Rota-Rail para a esquerda ou direita. Deste modo, permite o acesso ao furo.
7. Retire o carote ou substitua a coroa de perfuração.
8. Volte a rodar a ferramenta com o Rota-Rail para a posição inicial e aperte os parafusos de fixação do Rota-Rail. Desloque a ferramenta de volta para a coluna do suporte, para poder continuar a trabalhar.
9. Depois da desmontagem do Rota-Rail, volte a fixar o parafuso de encosto na parte posterior da coluna.

## 6.6 Desligar o perfurador diamantado

### AVISO

**Perigo para pessoas e material** A coroa diamantada enche-se de água na perfuração para cima. O perfurador diamantado pode danificar-se e o perigo de choque eléctrico é maior.

- ▶ Ao terminar a perfuração em suspensão, deve drenar primeiro a água. Basta separar a mangueira de abastecimento no regulador do fluxo de água e deixar escoar a água abrindo o regulador do fluxo de água. Não deixe escorrer água para cima do motor e da cobertura.

1. Feche o regulador do fluxo de água no perfurador diamantado.
2. Retire a coroa do furo.
3. Bloqueie o perfurador diamantado com o travamento do patim.
4. Desligue o perfurador diamantado.
5. Desligue o aspirador (caso o utilize).

## 6.7 Passos de trabalho, caso a coroa de perfuração encrave

Em caso de encravamento, salta primeiro a embraiagem. Em seguida, o sistema electrónico desliga o motor e, sem intervenção manual do utilizador, volta a ligar duas vezes automaticamente. Se isso não levar a que o encravamento se solte, o sistema electrónico desliga o motor por 90 segundos. Pode soltar manualmente o encravamento do seguinte modo:

### 6.7.1 Soltar a coroa de perfuração com a chave de forqueta

1. Retire a ficha de rede da tomada.
2. Segure a coroa perto do encabadouro com uma chave de forqueta adequada e solte-a, rodando-a.
3. Ligue a ficha de rede à tomada.
4. Prossiga o processo de perfuração.


### 6.7.2 Soltar a coroa de perfuração com o volante

1. Retire a ficha de rede da tomada.



2. Com o volante, solte a coroa de perfuração do material base.
3. Ligue a ficha de rede à tomada.
4. Prossiga o processo de perfuração.

## 6.8 Desmontagem do perfurador diamantado

1. Retire a ficha de rede da tomada.
2. Desmonte a coroa diamantada de perfuração com porta-ferramentas BI+.  69
3. Se necessário, retire a carote.
4. Desmonte o perfurador diamantado do material base.



Quando desmonta o sistema como unidade inteira, recomenda-se descer a ferramenta pelo carril depois de desligada, até que a coroa de perfuração toque no material base. Impede-se assim que o perfurador diamantado tombe.

## 7 Conservação, transporte e armazenamento

### 7.1 Conservação e manutenção



#### AVISO

**Perigo devido a choque eléctrico!** A conservação e manutenção com a ficha de ligação inserida pode originar ferimentos graves e queimaduras.

- ▶ Retirar sempre a ficha de ligação antes de todos os trabalhos de conservação e manutenção!

#### Conservação

- Remover a sujidade persistente com cuidado.
- Limpe as saídas de ar cuidadosamente com uma escova seca.
- Limpar a carcaça apenas com um pano ligeiramente humedecido. Não utilizar produtos de conservação que contenham silicone, uma vez que estes poderiam danificar os componentes de plástico.

#### Manutenção



#### AVISO

**Perigo devido a choque eléctrico!** Reparações incorrectas em peças eléctricas podem causar ferimentos e queimaduras graves.

- ▶ As reparações na parte eléctrica apenas podem ser executadas por um electricista especializado.
- Verificar, regularmente, todos os componentes visíveis quanto a danos e os comandos operativos quanto a funcionamento perfeito.
- Em caso de danos e/ou perturbações de funcionamento, não operar o produto. Mandar reparar de imediato pelo Centro de Assistência Técnica **Hilti**.
- Após os trabalhos de conservação e manutenção, aplicar todos os dispositivos de protecção e verificar o respectivo funcionamento.



Para um funcionamento seguro, utilize apenas peças sobresselentes e consumíveis originais. Poderá encontrar peças sobresselentes, consumíveis e acessórios aprovados por nós para o seu produto no seu **Hilti Store** ou em: [www.hilti.group](http://www.hilti.group).

### 7.2 Conservação do perfurador diamantado

- ▶ Não utilize qualquer pulverizador, aparelho de jacto de vapor ou água corrente para a limpeza!
  - ▶ Evite a penetração de corpos estranhos no interior.
- ▶ Limpe regularmente o mandril e os segmentos de aperto com um pano e lubrifique-os com spray **Hilti**.
- ▶ Retire do mandril partículas de sujidade existentes.
- ▶ Remova o filtro de entrada de água no punho auxiliar de tempos a tempos e lave o filtro (crivo) com água corrente, na direcção oposta àquela em que normalmente flui a água.
- ▶ Desmonte e limpe o indicador do fluxo de água logo que este apresente sujidade.
  - ▶ Não use agentes abrasivos ou objectos pontiagudos para limpar o visor!



### 7.3 Transporte e armazenamento

#### Transporte

- ▶ Não transporte este produto com a ferramenta inserida.
- ▶ Certificar-se de que está bem apertado durante o transporte.
- ▶ Após cada transporte, verifique todos os componentes visíveis quanto a danos e os comandos operativos quanto a funcionamento perfeito.

#### Armazenamento

- ▶ Armazene este produto sempre com a ficha de rede retirada.
- ▶ Guarde este produto num local seco e fora do alcance das crianças e pessoas não autorizadas.
- ▶ Após um armazenamento prolongado, verifique todos os componentes visíveis quanto a danos e os comandos operativos quanto a funcionamento perfeito.

## 8 Ajuda em caso de avarias

No caso de avarias que não sejam mencionadas nesta tabela ou se não conseguir resolvê-las por si mesmo, contacte o nosso Centro de Assistência Técnica **Hilti**.

### 8.1 Tabela de avarias

Avaria	Causa possível	Solução
O perfurador diamantado não está a trabalhar	Não recebe corrente eléctrica.	<ul style="list-style-type: none"> <li>▶ Insira outra ferramenta eléctrica e verifique o funcionamento.</li> <li>▶ Verifique as ligações de ficha, o cabo de rede, a linha de corrente e o fusível de rede.</li> </ul>
	Interruptor on/off avariado.	▶ Nesse caso, mande reparar a ferramenta num Centro de Assistência Técnica Hilti.
	Alimentação eléctrica interrompida	▶ Verificar o cabo de alimentação, a extensão, as fichas e o PRCD e, se necessário, mandar substituir por um electricista especializado.
	Avaria no sistema electrónico.	▶ Nesse caso, mande reparar a ferramenta num Centro de Assistência Técnica Hilti.
	Água no motor.	▶ Deixe o perfurador diamantado secar totalmente num local quente e seco.
Indicador de manutenção está aceso	O limite de desgaste das escovas de carvão está quase alcançado. O tempo de funcionamento restante até à desactivação automática do perfurador diamantado ainda é de algumas horas.	▶ Substitua as escovas de carvão logo que possível.
O perfurador diamantado não está a trabalhar e o indicador de manutenção está aceso	As escovas de carvão estão gastas.	▶ Substitua as escovas de carvão.
O perfurador diamantado não está a trabalhar e o indicador de manutenção pisca	O motor sobreaquece.	▶ Aguarde alguns minutos até que o motor tenha arrefecido ou deixe o perfurador diamantado a trabalhar em vazio para acelerar o processo de arrefecimento. Desligue o perfurador diamantado e volte a ligá-lo.
	Falha por sobrecarga.	▶ Desligue o perfurador diamantado e volte a ligá-lo.




Avaria	Causa possível	Solução
O perfurador diamantado não está a trabalhar e o indicador de protecção anti-roubo pisca	O perfurador diamantado não está activo (no caso do perfurador diamantado com protecção contra roubo, opcional).	▶ Active o perfurador diamantado com a chave de activação.
A coroa diamantada de perfuração não roda.	O selector de velocidades não prendeu.	▶ <b>Accione o selector de velocidades, até prender.</b>
	A coroa diamantada de perfuração encravou no material base.	▶ Solte a coroa diamantada de perfuração com uma chave de forqueta: retire a ficha de rede da tomada. Segure a coroa perto do encabadouro com uma chave de forqueta adequada e solte-a, rodando-a.
	Avaria na engrenagem.	▶ Nesse caso, mande reparar a ferramenta num Centro de Assistência Técnica Hilti.
A velocidade de perfuração vai diminuindo.	Coroa diamantada de perfuração com muito desgaste.	▶ <b>Afie a coroa diamantada de perfuração na placa de afiar.</b>
	Especificação errada para o material base.	▶ Seleccione uma especificação da coroa diamantada de perfuração mais adequada.
	Volume de água demasiado alto.	▶ Reduza a quantidade de água com a regulação de água.
	A carote fica presa no interior da coroa diamantada de perfuração.	▶ Retire a carote.
	Atingida a profundidade máxima de perfuração.	▶ Retire a carote e utilize uma extensão da coroa de perfuração.
	Coroa diamantada de perfuração com defeito.	▶ Verifique se a coroa diamantada de perfuração apresenta danos e, se necessário, substitua-a.
	A embraiagem "salta" prematuramente ou desembraia permanentemente.	▶ Nesse caso, mande reparar a ferramenta num Centro de Assistência Técnica Hilti.
	Travão fechado.	▶ Abra o travão.
	Volume de água insuficiente.	▶ Controle o abastecimento de água à coroa diamantada de perfuração ou aumente a quantidade com a regulação de água.
Grande percentagem de aço (identificável na água limpa com limpa-lha).	▶ Seleccione uma especificação da coroa diamantada de perfuração mais adequada.	
O volante roda sem resistência.	Contrapino partido.	▶ Substitua o contrapino.
Fuga de água na ligação da água ou na engrenagem.	A pressão da água é demasiado elevada.	▶ Reduza a pressão da água.
	Retentor gasto.	▶ Substitua o retentor.
Impossível introduzir a coroa diamantada de perfuração no mandril.	Encabadouro/mandril sujo ou danificado.	▶ Limpe o encabadouro ou o mandril e lubrifique-os ou substitua-os.





## 9 Reciclagem

---

 As ferramentas **Hilti** são, em grande parte, fabricadas com materiais recicláveis. Um pré-requisito para a reciclagem é que esses materiais sejam devidamente separados. Em muitos países, a **Hilti** aceita a sua ferramenta usada para reutilização. Para mais informações dirija-se ao Serviço de Clientes **Hilti** ou ao seu vendedor.



- ▶ Não deite as ferramentas eléctricas, aparelhos electrónicos e baterias no lixo doméstico!
- 

## 10 Garantia do fabricante

---

- ▶ Se tiver dúvidas em relação às condições de garantia, contacte o seu parceiro **Hilti** local.





This Product is Certified  
Ce produit est homologué  
Producto homologado por  
Este producto está registrado





Hilti Corporation  
LI-9494 Schaan  
Tel.:+423 234 21 11  
Fax:+423 234 29 65  
[www.hilti.group](http://www.hilti.group)



434952