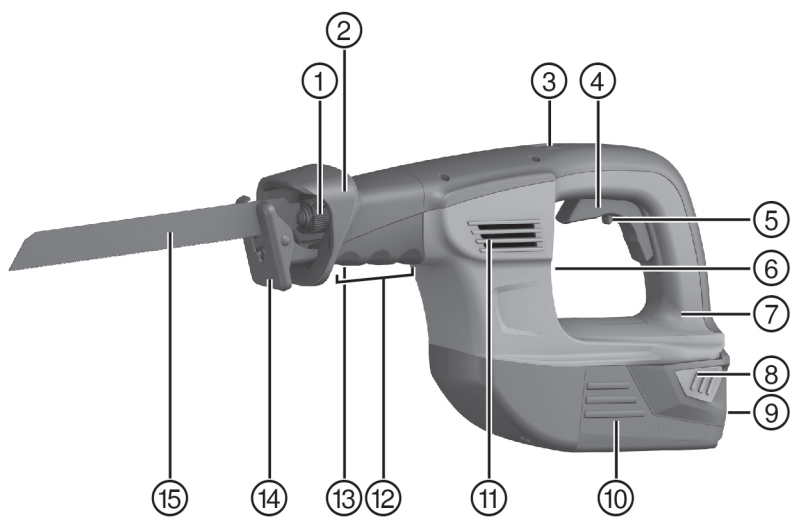




WSR 36-A

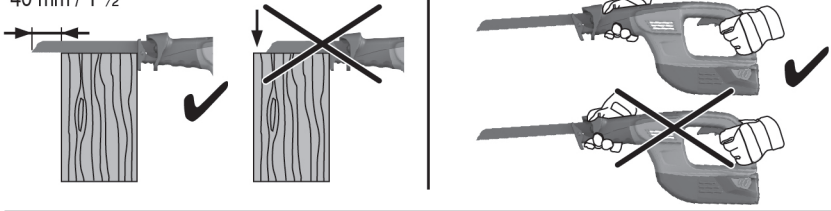
English	1
Français	11
Español	22
Português	33



2



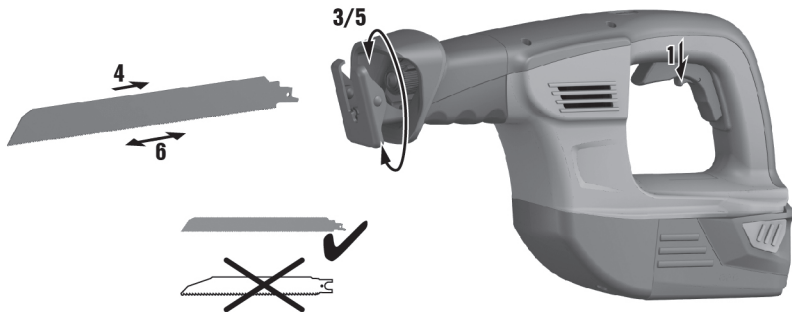
40 mm / 1 1/2"



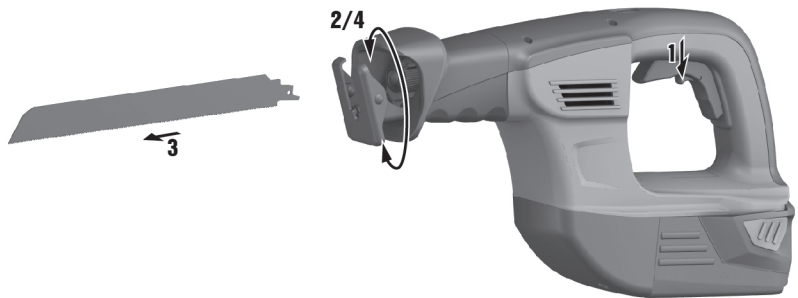
3



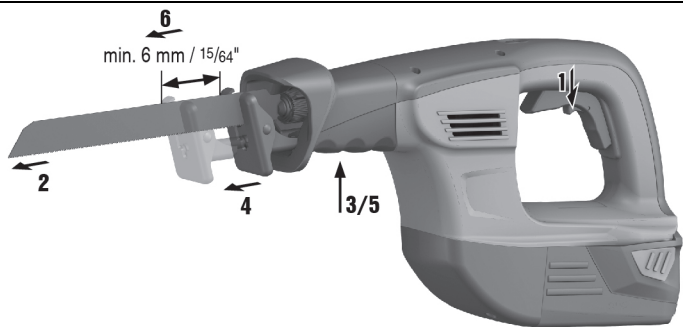
4



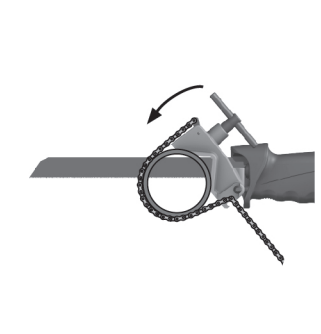
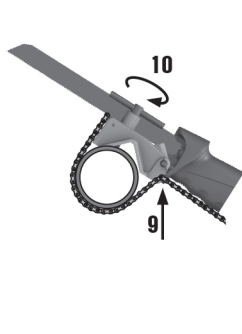
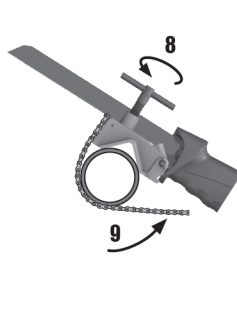
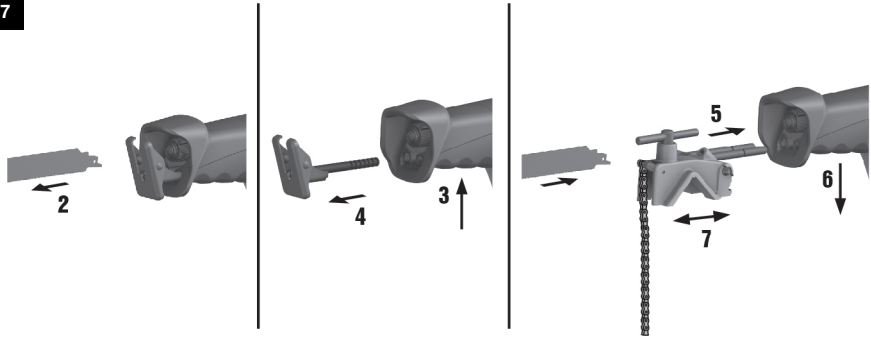
5



6



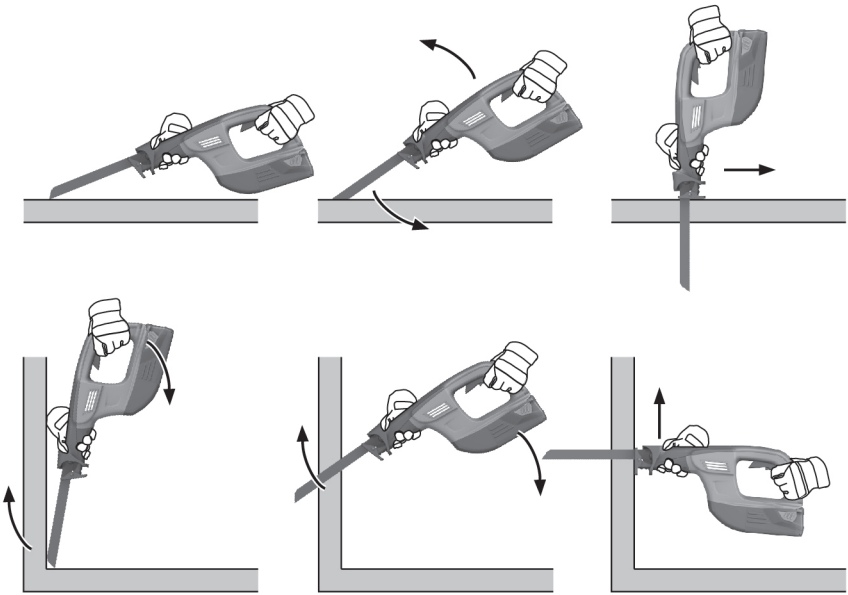
7



8



9



WSR 36-A

en	Original operating instructions	1
fr	Mode d'emploi original	11
es	Manual de instrucciones original	22
pt	Manual de instruções original	33

Original operating instructions

1 Information about the documentation

1.1 About this documentation

- Read this documentation before initial operation or use. This is a prerequisite for safe, trouble-free handling and use of the product.
- Observe the safety instructions and warnings in this documentation and on the product.
- Always keep the operating instructions with the product and make sure that the operating instructions are with the product when it is given to other persons.

1.2 Explanation of signs used

1.2.1 Warnings

Warnings alert persons to hazards that occur when handling or using the product. The following signal words are used in combination with a symbol:

	DANGER! Draws attention to imminent danger that will lead to serious personal injury or fatality.
	WARNING! Draws attention to a potential hazard that could lead to serious personal injury or fatality.
	CAUTION! Draws attention to a potentially dangerous situation that could lead to minor personal injury or damage to the equipment or other property.

1.2.2 Symbols in the documentation

The following symbols are used in this document:

	Read the operating instructions before use
	Instructions for use and other useful information

1.2.3 Symbols in the illustrations

The following symbols are used in illustrations:

	These numbers refer to the corresponding illustrations found at the beginning of these operating instructions.
	The numbering reflects the sequence of operations shown in the illustrations and may deviate from the steps described in the text.
	Item reference numbers are used in the overview illustrations and refer to the numbers used in the product overview section .
	These characters are intended to specifically draw your attention to certain points when handling the product.

1.3 Product-dependent symbols

1.3.1 Symbols on the product

The following symbols are used on the product:

	Stroke rate
	Direct current (DC)
	The product supports wireless data transmission compatible with iOS and Android platforms.
	Li-ion battery
	Hilti Li-ion battery type series used. Observe the information given in the section headed Intended use .



	Never use the battery as a striking tool.
	Do not drop the battery. Never use a battery that has suffered an impact or is damaged in any other way.

1.4 Product information

Hilti products are designed for professional use and may be operated, serviced and maintained only by trained, authorized personnel. This personnel must be specifically informed about the possible hazards. The product and its ancillary equipment can present hazards if used incorrectly by untrained personnel or if used not in accordance with the intended use.

The type designation and serial number are printed on the rating plate.

- ▶ Write down the serial number in the table below. You will be required to state the product details when contacting Hilti Service or your local Hilti organization to inquire about the product.

Product information

Reciprocating saw	WSR 36-A
Generation:	01
Serial no.:	

1.5 Declaration of conformity

We declare, on our sole responsibility, that the product described here complies with the applicable directives and standards. A copy of the declaration issued by the certification department can be found at the end of this documentation.

The technical documentation is filed here:

Hilti Entwicklungsgesellschaft mbH | Tool Certification | Hiltistrasse 6 | 86916 Kaufering, Germany

2 Safety

2.1 General power tool safety warnings

WARNING

Read all safety warnings and all instructions. Failure to follow the warnings and instructions may result in electric shock, fire and/or serious injury.

Save all warnings and instructions for future reference.

The term "power tool" in the warnings refers to your mains-operated (corded) power tool or battery-operated (cordless) power tool.

Work area safety

- ▶ **Keep work area clean and well lit.** Cluttered or dark areas invite accidents.
- ▶ **Do not operate power tools in explosive atmospheres, such as in the presence of flammable liquids, gases or dust.** Power tools create sparks which may ignite the dust or fumes.
- ▶ **Keep children and bystanders away while operating a power tool.** Distractions can cause you to lose control.

Electrical safety

- ▶ **Power tool plugs must match the outlet. Never modify the plug in any way. Do not use any adapter plugs with earthed (grounded) power tools.** Unmodified plugs and matching outlets will reduce risk of electric shock.
- ▶ **Avoid body contact with earthed or grounded surfaces, such as pipes, radiators, ranges and refrigerators.** There is an increased risk of electric shock if your body is earthed or grounded.
- ▶ **Do not expose power tools to rain or wet conditions.** Water entering a power tool will increase the risk of electric shock.
- ▶ **Do not abuse the cord. Never use the cord for carrying, pulling or unplugging the power tool. Keep cord away from heat, oil, sharp edges or moving parts.** Damaged or entangled cords increase the risk of electric shock.
- ▶ **When operating a power tool outdoors, use an extension cord suitable for outdoor use.** Use of a cord suitable for outdoor use reduces the risk of electric shock.
- ▶ **If operating a power tool in a damp location is unavoidable, use a residual current device (RCD) protected supply.** Use of an RCD reduces the risk of electric shock.



Personal safety

- ▶ **Stay alert, watch what you are doing and use common sense when operating a power tool. Do not use a power tool while you are tired or under the influence of drugs, alcohol or medication.** A moment of inattention while operating power tools may result in serious personal injury.
- ▶ **Use personal protective equipment. Always wear eye protection.** Protective equipment such as dust mask, non-skid safety shoes, hard hat, or hearing protection used for appropriate conditions will reduce personal injuries.
- ▶ **Prevent unintentional starting. Ensure the switch is in the off-position before connecting to power source and/or battery pack, picking up or carrying the tool.** Carrying power tools with your finger on the switch or energising power tools that have the switch on invites accidents.
- ▶ **Remove any adjusting key or wrench before turning the power tool on.** A wrench or a key left attached to a rotating part of the power tool may result in personal injury.
- ▶ **Do not overreach. Keep proper footing and balance at all times.** This enables better control of the power tool in unexpected situations.
- ▶ **Dress properly. Do not wear loose clothing or jewellery. Keep your hair, clothing and gloves away from moving parts.** Loose clothes, jewellery or long hair can be caught in moving parts.
- ▶ **If devices are provided for the connection of dust extraction and collection facilities, ensure these are connected and properly used.** Use of dust collection can reduce dust-related hazards.

Power tool use and care

- ▶ **Do not force the power tool. Use the correct power tool for your application.** The correct power tool will do the job better and safer at the rate for which it was designed.
- ▶ **Do not use the power tool if the switch does not turn it on and off.** Any power tool that cannot be controlled with the switch is dangerous and must be repaired.
- ▶ **Disconnect the plug from the power source and/or the battery pack from the power tool before making any adjustments, changing accessories, or storing power tools.** Such preventive safety measures reduce the risk of starting the power tool accidentally.
- ▶ **Store idle power tools out of the reach of children and do not allow persons unfamiliar with the power tool or these instructions to operate the power tool.** Power tools are dangerous in the hands of untrained users.
- ▶ **Maintain power tools. Check for misalignment or binding of moving parts, breakage of parts and any other condition that may affect the power tool's operation. If damaged, have the power tool repaired before use.** Many accidents are caused by poorly maintained power tools.
- ▶ **Keep cutting tools sharp and clean.** Properly maintained cutting tools with sharp cutting edges are less likely to bind and are easier to control.
- ▶ **Use the power tool, accessories and tool bits etc. in accordance with these instructions, taking into account the working conditions and the work to be performed.** Use of the power tool for operations different from those intended could result in a hazardous situation.

Battery tool use and care

- ▶ **Recharge only with the charger specified by the manufacturer.** A charger that is suitable for one type of battery pack may create a risk of fire when used with another battery pack.
- ▶ **Use power tools only with specifically designated battery packs.** Use of any other battery packs may create a risk of injury and fire.
- ▶ **When battery pack is not in use, keep it away from other metal objects, like paper clips, coins, keys, nails, screws or other small metal objects, that can make a connection from one terminal to another.** Shorting the battery terminals together may cause burns or a fire.
- ▶ **Under abusive conditions, liquid may be ejected from the battery; avoid contact. If contact accidentally occurs, flush with water. If liquid contacts eyes, additionally seek medical help.** Liquid ejected from the battery may cause irritation or burns.

Service

- ▶ **Have your power tool serviced by a qualified repair person using only identical replacement parts.** This will ensure that the safety of the power tool is maintained.

2.2 Safety instructions for jig saw / reciprocating saw

- ▶ **Hold power tool by insulated gripping surfaces, when performing an operation where the cutting accessory may contact hidden wiring.** Cutting accessory contacting a "live" wire may make exposed metal parts of the power tool "live" and could give the operator an electric shock.



2.3 Additional safety instructions

Personal safety

- ▶ **Use clamps or another practical way to secure and support the workpiece to a stable platform.** Holding the work by hand or against your body leaves it unstable and may lead to loss of control.
- ▶ **Modification of the power tool is not permitted.**
- ▶ **Wear ear protectors.** Exposure to noise can cause hearing loss.
- ▶ **Respiratory protection must be worn if the power tool is used without a dust removal system for work that creates dust.**
- ▶ **Improve the blood circulation in your fingers by relaxing your hands and exercising your fingers during breaks between working.**
- ▶ **Secure the workpiece. Use clamps or a vice to secure the workpiece.** The workpiece is thus held more securely than by hand and both hands remain free to operate the tool.
- ▶ **The power tool is not intended for use by inexperienced persons who have received no special training.**
- ▶ **Keep the power tool out of reach of children.**
- ▶ **Wear protective gloves when changing accessory tools as accessory tools get hot during use and cutting edges of saw blades are sharp.**
- ▶ **Switch the product on only after bringing it into the working position.**
- ▶ **Never use the power tool without the hand guard fitted.**
- ▶ **Engage the transport lock before storing or transporting the tool.**
- ▶ Avoid unintentional starting. **Don't carry the tool with your finger on the control switch. Remove the battery from the power tool during work breaks, before carrying out maintenance, before changing accessory tools and before transporting the power tool.**
- ▶ **Observe the national health and safety requirements.**
- ▶ Dust from materials, such as paint containing lead, some wood species, concrete / masonry / stone containing silica, and minerals as well as metal, may be harmful. Contact with or inhalation of the dust may cause allergic reactions and/or respiratory or other diseases to the operator or bystanders. Certain kinds of dust are classified as carcinogenic such as oak and beech dust, especially in conjunction with additives for wood conditioning (chromate, wood preservative). Material containing asbestos may be handled only by specialists. **Use a dust removal system whenever possible. To achieve a high level of dust collection, use a suitable vacuum cleaner. When indicated, wear a respirator appropriate for the type of dust generated. Ensure that the workplace is well ventilated. Follow national requirements for the materials you want to work with.**

Electrical safety

- ▶ **Before beginning work, check the working area (e.g. using a metal detector) to ensure that no concealed electric cables or gas and water pipes are present.** External metal parts of the power tool may become live, for example, when an electric cable is damaged accidentally. This presents a serious risk of electric shock.

Special safety instructions for reciprocating saws

- ▶ **Always guide the power tool away from your body when working with it.**
- ▶ **Never position your hands ahead of or on the saw blade.**
- ▶ **Never cut into unknown materials and keep the line of cut above and below the workpiece free of obstacles.** If the saw blade strikes an object it may cause the power tool to kick back.
- ▶ **Apply moderate pressure and select a suitable stroke rate when using the pipe-cutting adapter (accessory), especially when cutting large-diameter pipes.** This will help to prevent the power tool overheating.
- ▶ **Warning! When cutting through pipes, e.g. when carrying out demolition or installation work, check to ensure that the pipes no longer contain liquids and empty them if necessary. When cutting through pipes, hold the power tool above the level of the pipe you are cutting through.** The power tool incorporates no protective measures to prevent ingress of water or dampness. Liquids running out of pipes may cause a short circuit in the power tool.
- ▶ **Do not attempt to cut material thicker than the specified max. thickness for which the saw is designed and do not use unsuitable saw blades (reciprocating saw blades of the wrong size or not equipped with a 1/2" connection end).**

Careful handling and use of batteries

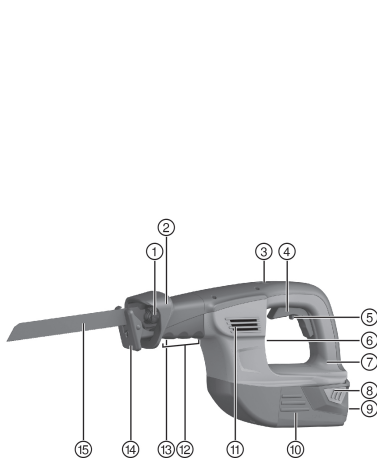
- ▶ **Observe the special guidelines applicable to the transport, storage and use of lithium-ion batteries.**
- ▶ **Do not expose batteries to high temperatures and keep them away from fire.** There is a risk of explosion.



- ▶ **Avoid ingress of moisture.** Ingress of moisture may cause a short circuit, resulting in burning injuries or fire.
- ▶ **Do not disassemble, crush or incinerate batteries and do not subject them to temperatures over 80°C (176°F).** This presents a risk of fire, explosion or injury through contact with caustic substances.
- ▶ **Never continue to use or attempt to charge damaged batteries, e.g. batteries with cracks, broken parts, bent or pushed-in / pulled-out contacts).**
- ▶ **Do not use the battery as a power source for other unspecified power tools or appliances.**
- ▶ If the battery is too hot to touch it may be defective. **In this case, place the power tool in a non-flammable location, well away from flammable materials, where it can be kept under observation and allowed to cool down. Contact Hilti Service after the battery has cooled down.**

3 Description

3.1 Overview of the product



- ① Chuck (blade holder)
- ② Hand guard with chuck (blade holder) cover
- ③ Stroke rate regulator
- ④ Control switch
- ⑤ Safety lock
- ⑥ Rating plate
- ⑦ Grip
- ⑧ Battery release button
- ⑨ Battery state of charge display
- ⑩ Battery
- ⑪ Air vents
- ⑫ Forward gripping area (hand guard)
- ⑬ Contact shoe adjustment button
- ⑭ Contact shoe
- ⑮ Saw blade

3.2 Intended use

The product described is a cordless reciprocating saw. It is designed for cutting wood, wood-like materials, metals and plastics.

The product is designed for two-handed operation.

- ▶ Use only **Hilti** Li-ion batteries from the B 36 series with this product.
- ▶ Use only the **Hilti** battery chargers from the C4/36 series for these batteries.

3.3 Possible misuse

- ▶ Do not use the power tool to cut bricks, concrete, cellular concrete, natural stone or tiles.
- ▶ Do not use the product to cut pipes that still contain liquids.
- ▶ Do not saw into unknown materials.



3.4 Lithium-ion battery status display

The charge state of the Li-ion battery and malfunctions of the power tool are indicated by the display on the Li-ion battery. The charge state of the Li-ion battery is displayed after pressing one of the two battery release buttons.

Status	Meaning
4 LEDs light up.	Charge state: 75 % to 100 %
3 LEDs light up.	Charge state: 50 % to 75 %
2 LEDs light up.	Charge state: 25 % to 50 %
1 LED lights.	Charge state: 10 % to 25 %
1 LED blinks.	Charge state: < 10 %
1 LED blinks, the power tool is not ready for use.	The battery has overheated or is completely discharged.
4 LEDs blink, the power tool is not ready for use.	The power tool is overloaded or has overheated.

Battery charge state cannot be displayed while the control switch is pressed and for up to 5 seconds after releasing the control switch. If the battery display LEDs blink, please observe the instructions given in the Troubleshooting section.

3.5 Items supplied

Reciprocating saw, saw blade, operating instructions.

To help ensure safe and reliable operation, use only genuine Hilti spare parts and consumables. Spare parts, consumables and accessories approved by Hilti for use with the product can be found at your local **Hilti Center** or online at: **www.hilti.group**

3.6 Stroke rate setting

Material to be cut	Suggested stroke rate settings
Wood	5-6
Wood containing nails	5-6
Interior finishing, drywall	3-4
Plastic	3-4
Steel	2-3
Non-ferrous metals	2-3
Aluminium	2-3
Stainless steel	1

4 Technical data

4.1 Reciprocating saw

	WSR 36-A
Rated voltage	36 V
Weight	9.63 lb (4.37 kg)
Stroke rate	0 /min ... 2,850 /min
Stroke	1.3 in (32 mm)
Keyless chuck for standard accessory tools	1/2 in



5 Operation

5.1 Safe operation 2

CAUTION

Risk of injury by inadvertent starting!

- ▶ Before inserting the battery, make sure that the product is switched off.
- ▶ Remove the battery before making any adjustments to the power tool or before changing accessories.

WARNING

Risk of injury! Danger of kickback.

- ▶ Always use saw blades of adequate length. The tip of the blade must project at least 40 mm (1 1/2") beyond the reverse side of the workpiece during the blade stroke.

WARNING

Risk of injury! Caused by the chuck / accessory tool retaining mechanism

- ▶ Always hold the power tool securely with both hands on the grips provided. Never use the power tool without a fully functional hand guard.

WARNING

Risk of injury by the blade holder / chuck

- ▶ Do not use the cover over the blade holder / chuck as a gripping area.



The power tool must be pressed against the workpiece until the contact shoe makes firm contact. This helps ensure maximum safety and good performance.

- ▶ Observe all safety instructions printed in this documentation and on the tool.

5.2 Removing the battery 3

1. Press the two release buttons and hold them in the pressed position.
2. Pull the battery out of the product to the rear.

5.3 Fitting the saw blade 4



Use only saw blades equipped with a 1/2" connection end.


1. Engage the transport lock.
2. Check that the connection end of the accessory tool is clean and lightly greased. Clean it and grease it if necessary.
3. Turn the chuck locking sleeve counterclockwise and hold it in this position.
4. Push the saw blade into the chuck from the front end of the tool.
5. Release the locking sleeve and allow it to click back and engage in its original position.
6. Grip and pull the saw blade to check that it is locked in position.

5.4 Removing the saw blade 5

1. Engage the transport lock.
2. Turn the chuck locking sleeve counterclockwise and hold it in this position.
3. Pull the blade forward out of the chuck.
4. Release the locking sleeve and allow it to move back to its original position.




5.5 Adjusting the contact shoe


-  When the contact shoe is adjusted correctly the length of the blade can be used optimally and access in corners is improved. The contact shoe engages in click-stop increments of 6 mm (¹⁵/₆₄").
Do not adjust the contact shoe while the power tool is in operation.

1. Engage the transport lock.
2. Remove the saw blade.
3. Press the contact shoe adjustment button and hold it in this position.
4. Slide the contact shoe to the desired position.
5. Release the contact shoe adjustment button.
6. Grip and pull the contact shoe to check that it is locked in position.

5.6 Adjusting the stroke rate


-  Please refer to the application table for the recommended stroke rate settings.

1. Set the stroke rate to a setting between 1 (low) and 6 (high) by turning the stroke rate regulator.
2. Press the control switch.

-  The power tool will then run at the preselected stroke rate.

5.7 Pipe-cutting adapter (accessory)

1. Engage the transport lock.
2. Remove the saw blade.
3. Press the contact shoe adjustment button and hold it in this position.
4. Pull the contact shoe forward, away from the power tool.
5. Push the pipe-cutting adapter onto the front end of the power tool and bring it into the desired position.
6. Release the contact shoe adjustment button.
7. Grip and pull the pipe-cutting adapter to check that it is locked in position.
8. Release the screw clamp on the pipe-cutting adapter fully.
9. Place the chain around the pipe and hook it back onto the pipe-cutting adapter.

-  The clamping screw should lie at an angle of 45° to the power tool.

10. Close the clamping screw.

5.8 Inserting the battery

CAUTION

Risk of short circuit !

- ▶ Before inserting the battery, make sure that the contacts on the battery and the contacts on the product are free of foreign matter.

WARNING

Risk of injury! Hazard presented by a falling battery.

- ▶ A falling battery may present a risk of injury to yourself and others. Check that the battery is securely seated in the reciprocating saw.
- ▶ Push the battery into the product from the rear as far as it will go and until it is heard to engage with a double click.

5.9 Switching on

1. Disengage the transport lock.



2. Press the control switch.

5.10 Switching off

WARNING

Risk of injury due to saw run-on !

- ▶ Do not lift the product away from the workpiece until it has stopped completely.
- ▶ Wait until the product stops completely before you lay it down.

1. Release the control switch.
2. Engage the transport lock.

5.11 Plunge cutting

WARNING

Risk of injury! Risk of kickback.

- ▶ Apply the appropriate safety measures at the rear of the workpiece when plunge sawing. Use only suitable saw blades (length as short as possible).



Use the plunge cutting technique only on soft materials and with short saw blades. The product can be used in one of two plunge cutting positions: in the normal position or in the reversed position.

1. Bring the forward edge of the AVR contact shoe into contact with the workpiece.
2. Disengage the transport lock.
3. Press the control switch.
4. Press the forward edge of the contact shoe against the workpiece and begin the plunge action by slowly increasing the angle of attack.



To prevent stalling, it is important that the product is running before the saw blade is brought into contact with the surface.

5. Once the saw blade has penetrated right through the material, bring the tool into the normal working position (contact shoe flush with the workpiece) and then continue sawing along the cutting line.

6 Care and maintenance of cordless tools

WARNING

Risk of injury with battery inserted !

- ▶ Always remove the battery before carrying out care and maintenance tasks!

Care and maintenance of the tool

- Carefully remove stubborn dirt from the tool.
- Clean the air vents carefully with a dry brush.
- Use only a slightly damp cloth to clean the casing. Do not use cleaning agents containing silicone as these may attack the plastic parts.

Care of the Li-ion batteries

- Keep the battery free from oil and grease.
- Use only a slightly damp cloth to clean the casing. Do not use cleaning agents containing silicone as these may attack the plastic parts.
- Avoid ingress of moisture.

Maintenance

- Check all visible parts and controls for signs of damage at regular intervals and make sure that they all function correctly.
- Do not operate the cordless tool if signs of damage are found or if parts malfunction. Have the tool repaired by **Hilti** Service immediately.
- After cleaning and maintenance, fit all guards or protective devices and check that they function correctly.



6.1 Checks after care and maintenance work

- ▶ After carrying out care and maintenance, check that all protective and safety devices are fitted and that they function faultlessly.

7 Transport and storage of cordless tools

Transport

CAUTION

Accidental starting during transport !

- ▶ Always transport your products with the batteries removed!
- ▶ Remove the battery.
- ▶ Never transport batteries in bulk form (loose, unprotected).
- ▶ Check the tool and batteries for damage before use after long periods of transport.

Storage

CAUTION

Accidental damage caused by defective or leaking batteries !

- ▶ Always store your products with the batteries removed!
- ▶ Store the tool and batteries in a place that is as cool and dry as possible.
- ▶ Never store batteries in direct sunlight, on heating units or behind a window pane.
- ▶ Store the tool and batteries in a place where they cannot be accessed by children or unauthorized persons.
- ▶ Check the tool and batteries for damage before use after long periods of storage.

8 Troubleshooting

If the trouble you are experiencing is not listed in this table or if you are unable to remedy the problem by yourself, please contact **Hilti** Service.

8.1 The reciprocating saw is not operational.

Malfunction	Possible cause	Action to be taken
The LEDs indicate nothing.	The battery is not fully inserted.	▶ Push the battery in until it engages with a double click.
	The battery is empty.	▶ Charge the battery.
	The transport lock is engaged.	▶ Disengage the transport lock.
1 LED blinks.	The battery is discharged.	▶ Change the battery and charge the empty battery.
	The battery is too hot or too cold.	▶ Bring the battery to the recommended working temperature.

8.2 The reciprocating saw is operational.

Trouble or fault	Possible cause	Action to be taken
The tool does not achieve full power.	The control switch is not fully pressed.	▶ Press the control switch fully.
	The battery is discharged.	▶ Change the battery and charge the empty battery.
	Stroke rate set too low.	▶ Set the stroke rate regulator to the setting recommended for the material to be cut.
The saw blade can't be removed from the chuck.	The locking sleeve is not turned as far as it will go.	▶ Turn the locking sleeve as far as it will go and remove the saw blade.



9 Disposal

Most of the materials from which **Hilti** tools and appliances are manufactured can be recycled. The materials must be correctly separated before they can be recycled. In many countries, your old tools, machines or appliances can be returned to **Hilti** for recycling. Ask **Hilti** Service or your Hilti representative for further information.

Battery disposal

Improper disposal of batteries can result in health hazards from leaking gases or fluids.

- ▶ DO NOT send batteries through the mail!
- ▶ Cover the terminals with a non-conductive material (such as electrical tape) to prevent short circuiting.
- ▶ Dispose of your battery out of the reach of children.
- ▶ Dispose of the battery at your **Hilti Store**, or consult your local governmental garbage disposal or public health and safety resources for disposal instructions.



- ▶ Do not dispose of power tools, electronic equipment or batteries as household waste!

10 Manufacturer's warranty

- ▶ Please contact your local **Hilti** representative if you have questions about the warranty conditions.

Mode d'emploi original

1 Indications relatives à la documentation

1.1 À propos de cette documentation

- Lire intégralement la présente documentation avant la mise en service. C'est la condition préalablement requise pour assurer la sécurité du travail et un maniement sans perturbations.
- Bien respecter les consignes de sécurité et les avertissements de la présente documentation ainsi que celles figurant sur le produit.
- Toujours conserver le mode d'emploi à proximité du produit et uniquement le transmettre à des tiers avec ce mode d'emploi.

1.2 Explication des symboles

1.2.1 Avertissements

Les avertissements attirent l'attention sur des dangers liés à l'utilisation du produit. Les termes de signalisation suivants sont utilisés en combinaison avec un symbole :



DANGER ! Pour un danger imminent qui peut entraîner de graves blessures corporelles ou la mort.



AVERTISSEMENT ! Pour un danger probable qui peut entraîner de graves blessures corporelles ou la mort.



ATTENTION ! Pour attirer l'attention sur une situation pouvant présenter des dangers entraînant des blessures corporelles légères ou des dégâts matériels.

1.2.2 Symboles dans la documentation

Les symboles suivants sont utilisés dans la présente documentation :



Lire le mode d'emploi avant d'utiliser l'appareil



Pour des conseils d'utilisation et autres informations utiles

1.2.3 Symboles dans les illustrations

Les symboles suivants sont utilisés dans les illustrations :



Ces chiffres renvoient à l'illustration correspondante au début du présent mode d'emploi.



3	La numérotation détermine la séquence des étapes de travail dans l'image et peut se différencier de celles des étapes de travail dans le texte.
	Les numéros de position sont utilisés dans l'illustration Vue d'ensemble et renvoient aux numéros des légendes dans la section Vue d'ensemble du produit .
	Ce signe doit inviter à manier le produit en faisant particulièrement attention.

1.3 Symboles spécifiques au produit

1.3.1 Symboles sur le produit

Les symboles suivants sont utilisés sur le produit :

n_0	Cadence de coupe
---	Courant continu
	Le produit prend en charge la transmission de données sans fil qui est compatible avec les plates-formes iOS et Android.
Li-Ion	Accu lithium-ions
	Série de type d'accu Li-Ion Hilti utilisée. Observer les instructions au chapitre Utilisation conforme à l'usage prévu .
	Ne jamais utiliser l'accu comme outil de percussion.
	Ne pas laisser tomber l'accu. Ne pas utiliser d'accu ayant subi un choc ou d'autres dommages.

1.4 Informations produit

Les produits **Hilti** sont destinés aux professionnels et ne doivent être utilisés, entretenus et réparés que par un personnel autorisé et formé. Ce personnel doit être au courant des dangers inhérents à l'utilisation de l'appareil. Le produit et ses accessoires peuvent s'avérer dangereux s'ils sont utilisés de manière incorrecte par un personnel non qualifié ou de manière non conforme à l'usage prévu.

La désignation du modèle et le numéro de série figurent sur sa plaque signalétique.

- Inscrivez le numéro de série dans le tableau suivant. Les informations produit vous sont demandées lorsque vous contactez nos revendeurs ou services après-vente.

Caractéristiques produit

Scie sabre	WSR 36-A
Génération :	01
N° de série :	

1.5 Déclaration de conformité

Nous déclarons sous notre seule et unique responsabilité que le produit décrit ici est conforme aux directives et normes en vigueur. Une copie de l'attestation délivrée par l'organisme de certification se trouve en fin de la présente documentation.

Pour obtenir les documentations techniques, s'adresser à :

Hilti Entwicklungsgesellschaft mbH | Zulassung Geräte | Hiltistraße 6 | 86916 Kaufering, DE

2 Sécurité

2.1 Indications générales de sécurité pour les outils électriques

⚠ AVERTISSEMENT Lire et comprendre toutes les consignes de sécurité et instructions. Tout manquement à l'observation des consignes de sécurité et instructions risque de provoquer une électrocution, un incendie et/ou de graves blessures.

Les consignes de sécurité et instructions doivent être intégralement conservées pour les utilisations futures.



La notion d'« outil électroportatif » mentionnée dans les consignes de sécurité se rapporte à des outils électriques raccordés au secteur (avec câble de raccordement) et à des outils électriques sur accu (sans câble de raccordement).

Sécurité sur le lieu de travail

- ▶ **Conserver la zone de travail propre et bien éclairée.** Un lieu de travail en désordre ou mal éclairé augmente le risque d'accidents.
- ▶ **Ne pas faire fonctionner les outils électriques en atmosphère explosive et où se trouvent des liquides, des gaz ou poussières inflammables.** Les outils électriques produisent des étincelles qui peuvent enflammer les poussières ou les fumées.
- ▶ **Maintenir les enfants et les personnes présentes à l'écart pendant l'utilisation de l'outil électroportatif.** En cas d'inattention il y a risque de perdre le contrôle de l'appareil.

Sécurité relative au système électrique

- ▶ **La fiche de secteur de l'outil électroportatif doit être adaptée à la prise de courant. Ne jamais modifier la fiche de quelque façon que ce soit. Ne pas utiliser d'adaptateurs avec des outils électriques à branchement de terre.** Des fiches non modifiées et des prises de courant adaptées réduiront le risque de choc électrique.
- ▶ **Éviter le contact physique avec des surfaces mises à la terre tels que tuyaux, radiateurs, cuisinières et réfrigérateurs.** Il y a un risque élevé de choc électrique au cas où votre corps serait relié à la terre.
- ▶ **Ne pas exposer les outils électroportatifs à la pluie ou à l'humidité.** La pénétration d'eau à l'intérieur d'un outil électroportatif augmentera le risque d'un choc électrique.
- ▶ **Ne jamais utiliser le cordon à d'autres fins que celles prévues, telles que pour porter, accrocher ou débrancher l'outil électroportatif de la prise de courant. Maintenir le cordon à l'écart de la chaleur, des parties grasses, des bords tranchants ou des parties de l'appareil en mouvement.** Des cordons endommagés ou emmêlés augmentent le risque de choc électrique.
- ▶ **Si l'outil électroportatif est utilisé à l'extérieur, utiliser uniquement une rallonge homologuée pour les applications extérieures.** L'utilisation d'une rallonge électrique homologuée pour les applications extérieures diminue le risque d'un choc électrique.
- ▶ **Si l'utilisation de l'outil électrique dans un environnement humide ne peut pas être évitée, utiliser un interrupteur de protection contre les courants de court-circuit.** L'utilisation d'un tel interrupteur de protection réduit le risque d'une décharge électrique.

Sécurité des personnes

- ▶ **Rester vigilant, surveiller ce que l'on fait. Faire preuve de bon sens en utilisant l'outil électroportatif. Ne pas utiliser l'outil électroportatif si vous êtes fatigué ou sous l'emprise de l'alcool, de drogues ou de médicaments.** Un moment d'inattention lors de l'utilisation de l'outil électroportatif peut entraîner des blessures graves.
- ▶ **Utiliser un équipement de sécurité et toujours porter une protection pour les yeux.** Les équipements de protection personnels tels que masque antipoussière, chaussures de sécurité antidérapantes, casque de protection ou protection acoustique suivant l'utilisation de l'outil électroportatif, réduiront le risque de blessures des personnes.
- ▶ **Éviter une mise en service par mégarde. S'assurer que l'outil électroportatif est arrêté avant de le brancher à la source de courant et/ou à l'accu, de le prendre ou de le porter.** Le fait de porter l'outil électroportatif avec le doigt sur l'interrupteur ou de brancher l'appareil sur la source de courant lorsque l'interrupteur est en position de fonctionnement peut entraîner des accidents.
- ▶ **Retirer tout outil de réglage ou toute clé avant de mettre l'outil électroportatif en fonctionnement.** Une clé ou un outil se trouvant sur une partie en rotation peut causer des blessures.
- ▶ **Adopter une bonne posture. Veiller à toujours garder une position stable et équilibrée.** Cela permet un meilleur contrôle de l'outil électroportatif dans des situations inattendues.
- ▶ **S'habiller de manière adaptée. Ne pas porter de vêtements amples ni de bijoux. Garder les cheveux, les vêtements et les gants à distance des parties en mouvement.** Des vêtements amples, des bijoux ou des cheveux longs peuvent être happés par des parties en mouvement.
- ▶ **Si des dispositifs servant à aspirer ou à recueillir les poussières doivent être utilisés, s'assurer qu'ils sont effectivement raccordés et correctement utilisés.** L'utilisation d'un dispositif d'aspiration de la poussière peut réduire les risques dus aux poussières.

Utilisation et maniement de l'outil électroportatif

- ▶ **Ne pas forcer l'appareil. Utiliser l'outil électroportatif adapté au travail à effectuer.** Un outil électroportatif approprié réalisera mieux le travail et de manière plus sûre au régime pour lequel il a été conçu.
- ▶ **Ne pas utiliser d'outil électroportatif dont l'interrupteur est défectueux.** Tout outil électroportatif qui ne peut plus être mis en ou hors fonctionnement est dangereux et doit être réparé.



- ▶ **Débrancher la fiche de la prise de courant et/ou l'accu avant d'effectuer des réglages sur l'appareil, de changer les accessoires, ou de ranger l'appareil.** Cette mesure de précaution empêche une mise en fonctionnement par mégarde de l'outil électroportatif.
- ▶ **Conserver les outils électroportatifs non utilisés hors de portée des enfants. Ne pas permettre l'utilisation de l'appareil à des personnes qui ne se sont pas familiarisées avec celui-ci ou qui n'ont pas lu ces instructions.** Les outils électroportatifs sont dangereux lorsqu'ils sont entre les mains de personnes non initiées.
- ▶ **Prendre soin des outils électroportatifs. Vérifier que les parties en mouvement fonctionnent correctement et qu'elles ne sont pas coincées, et contrôler si des parties sont cassées ou endommagées de sorte que le bon fonctionnement de l'outil électroportatif s'en trouve entravé. Faire réparer les parties endommagées avant d'utiliser l'appareil.** De nombreux accidents sont dus à des outils électroportatifs mal entretenus.
- ▶ **Garder les outils de coupe affûtés et propres.** Des outils destinés à couper correctement entretenus avec des bords tranchants bien aiguisés se coincent moins souvent et peuvent être guidés plus facilement.
- ▶ **L'outil électroportatif, les accessoires, les outils amovibles, etc. doivent être utilisés conformément à ces instructions. Tenir également compte des conditions de travail et du travail à réaliser.** L'utilisation des outils électroportatifs à d'autres fins que celles prévues peut entraîner des situations dangereuses.

Utilisation et maniement de l'outil sur accu

- ▶ **Ne charger les accus que dans des chargeurs recommandés par le fabricant.** Si un chargeur approprié à un type spécifique d'accus est utilisé avec des accus non recommandés pour celui-ci, il y a risque d'incendie.
- ▶ **Dans les outils électroportatifs, utiliser uniquement les accus spécialement prévus pour ceux-ci.** L'utilisation de tout autre accu peut entraîner des blessures et des risques d'incendie.
- ▶ **Tenir l'accu non utilisé à l'écart de tous objets métalliques tels qu'agrafes, pièces de monnaie, clés, clous, vis ou autres, étant donné qu'un pontage peut provoquer un court-circuit.** Un court-circuit entre les contacts d'accu peut provoquer des brûlures ou un incendie.
- ▶ **En cas d'utilisation abusive, du liquide peut sortir de l'accu. Éviter tout contact avec ce liquide. En cas de contact par mégarde, rincer soigneusement avec de l'eau. Au cas où le liquide rentrerait dans les yeux, consulter en plus un médecin.** Le liquide qui sort de l'accu peut entraîner des irritations de la peau ou causer des brûlures.

Service

- ▶ **L'outil électroportatif doit uniquement être réparé par un personnel qualifié et seulement avec des pièces de rechange d'origine.** Ceci permet d'assurer la sécurité de l'appareil.

2.2 Consignes de sécurité spécifiques aux scies sauteuses/scies sabres

- ▶ **Tenir l'outil électroportatif seulement par les surfaces isolées des poignées lors des travaux pendant lesquels l'appareil utilisé risque de toucher des câbles électriques cachés.** Le contact avec un câble sous tension risque aussi de mettre les parties métalliques de l'appareil sous tension et de provoquer une décharge électrique.

2.3 Consignes de sécurité supplémentaires

Sécurité des personnes

- ▶ **Utiliser un dispositif de serrage ou tout autre moyen pratique pour sécuriser la pièce travaillée et la maintenir dans une position stable.** Le maintien de la pièce travaillée avec la main ou le corps est instable et risque d'entraîner la perte de contrôle.
- ▶ **Toute manipulation ou modification de l'appareil est interdite.**
- ▶ **Porter un casque antibruit.** Le bruit peut entraîner des pertes auditives.
- ▶ **Si l'appareil fonctionne sans dispositif d'aspiration de la poussière et si le travail effectué dégage de la poussière, porter un masque respiratoire léger.**
- ▶ **Faire régulièrement des pauses et des exercices de relaxation et de massage des doigts pour favoriser l'irrigation sanguine dans les doigts.**
- ▶ **Bien fixer la pièce. Utiliser des dispositifs de serrage ou un étai pour fixer la pièce.** Elle sera ainsi mieux tenue qu'à la main, et les deux mains restent alors libres pour commander l'appareil.
- ▶ **L'appareil n'est pas destiné à être utilisé par des personnes affaiblies sans encadrement.**
- ▶ **L'appareil doit être tenu à l'écart des enfants.**
- ▶ **Utiliser des gants de protection pour changer d'outil, car l'outil devient très chaud lors de son utilisation et les arêtes de coupe de la lame de scie sont tranchantes.**



- ▶ **Seulement mettre le produit en marche lorsqu'il est dans la position de travail.**
- ▶ **Ne jamais installer l'appareil sans protège-main.**
- ▶ **Pour le stockage ou le transport de l'appareil, activer la sécurité de transport.**
- ▶ **Éviter tout démarrage intempestif de l'appareil. Ne pas porter l'appareil avec le doigt sur le variateur électronique de vitesse. Lorsque l'appareil n'est pas utilisé pendant une pause, avant un entretien, lors du remplacement d'outils ou du transport, l'accu doit être retiré de l'appareil.**
- ▶ **Observer les exigences nationales en matière de sécurité.**
- ▶ Les poussières de matériaux telles que des peintures contenant du plomb, certains types de bois, du béton / de la maçonnerie / des pierres naturelles qui contiennent du quartz ainsi que des minéraux et des métaux peuvent être nuisibles à la santé. Le contact ou l'aspiration de poussière peut provoquer des réactions allergiques et/ou des maladies respiratoires de l'utilisateur ou de toute personne se trouvant à proximité. Certaines poussières, telles que des poussières de chêne ou de hêtre, sont considérées comme cancérigènes, en particulier lorsqu'elles sont combinées à des additifs destinés au traitement du bois (chromate, produit de protection du bois). Les matériaux contenant de l'amiante doivent seulement être manipulés par un personnel spécialisé. **Utiliser si possible un dispositif d'aspiration de poussière. Pour une aspiration de poussière efficace, il convient d'utiliser un dépollueur mobile adéquat. Le cas échéant, porter un masque antipoussière adapté au type de poussière considérée. Veiller à ce que le poste de travail soit bien ventilé. Respecter les prescriptions locales en vigueur qui s'appliquent aux matériaux travaillés.**

Sécurité relative au système électrique

- ▶ **Avant d'entamer le travail, vérifier, par exemple à l'aide d'un détecteur de métaux, qu'il n'y a pas de câbles ou gaines électriques, tuyaux de gaz ou d'eau cachés dans la zone d'intervention.** Toutes pièces métalliques extérieures de l'appareil peuvent devenir conductrices, par exemple, lorsqu'un câble électrique est endommagé par inadvertance. Cela peut entraîner un grave danger d'électrocution.

Consignes de sécurité spécifiques aux lames de scie

- ▶ **Lors de la coupe, toujours effectuer des mouvements s'éloignant de soi.**
- ▶ **Ne jamais laisser ses mains devant ou sur la lame de scie.**
- ▶ **Ne pas scier dans des sous-sols de nature inconnue et libérer la surface de coupe de tout obstacle en haut et en bas.** Si elle percute un objet, la lame de scie peut provoquer un mouvement de recul sur l'appareil.
- ▶ **Travailler avec une pression d'appui modérée et une vitesse de coupe appropriée lors de l'utilisation d'un adaptateur coupe-tubes (accessoire), notamment dans le cas de tuyaux de grand diamètre.** Ceci permet d'éviter une surchauffe de l'appareil.
- ▶ **Avertissement ! En cas de séparation de conduites, par exemple lors de travaux de démolition ou d'installation, s'assurer préalablement que celles-ci ne contiennent plus aucun liquide et les vider si nécessaire. En cas de séparation de conduites, tenir l'appareil plus haut que la conduite à séparer.** L'appareil ne dispose d'aucune protection contre la pénétration d'humidité. Le liquide s'écoulant peut provoquer un court-circuit dans l'appareil.
- ▶ **Ne pas scier hors de l'espace de travail ni avec des outils inappropriés (dimensions inappropriées et pas avec des lames de scie avec un emmanchement 1/2" pour scies sabre).**

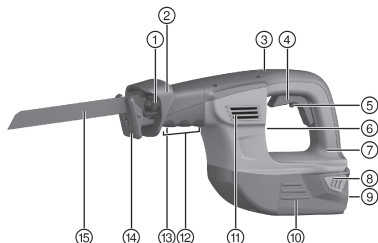
Utilisation et emploi soigneux des accus

- ▶ **Respecter les directives spécifiques relatives au transport, au stockage et à l'utilisation des accus Li-Ion.**
- ▶ **Ne pas exposer les accus à des températures élevées ni au feu.** Il y a un risque d'explosion.
- ▶ **Éviter toute pénétration d'humidité.** Toute infiltration d'humidité risque de provoquer un court-circuit et des brûlures ou un incendie.
- ▶ **Les accus ne doivent pas être démontés, écrasés, chauffés à une température supérieure à 80 °C (176 °F) ou jetés au feu.** Sinon, il y a un risque d'incendie, d'explosion et de brûlure.
- ▶ **Les accus endommagés (p. ex. accus fissurés, pièces cassées, contacts tordus, déformés vers l'intérieur et/ou l'extérieur) ne doivent plus être chargés ni utilisés.**
- ▶ **Ne pas utiliser les accus comme source d'énergie pour d'autres appareils non spécifiés.**
- ▶ Si l'accu est trop chaud pour être touché, il est probablement défectueux. **Déposer l'appareil à un endroit non inflammable d'où il peut être surveillé, suffisamment loin de matériaux potentiellement inflammables et le laisser refroidir. Contacter le S.A.V. Hilti une fois l'accu refroidi.**



3 Description

3.1 Vue d'ensemble du produit



- ① Dispositif de verrouillage de la lame / porte-lame
- ② Protège-main avec recouvrement du dispositif de verrouillage de la lame / porte-lame
- ③ Régulateur de cadence de coupe
- ④ Variateur électronique de vitesse
- ⑤ Sécurité de transport
- ⑥ Plaque signalétique
- ⑦ Poignée
- ⑧ Bouton de déverrouillage de l'accu
- ⑨ Indicateur de l'état de charge de l'accu
- ⑩ Accu
- ⑪ Ouïes d'aération
- ⑫ Partie avant préhensible (protège-main)
- ⑬ Bouton-poussoir de réglage du patin d'appui
- ⑭ Patin d'appui
- ⑮ Lame de scie

3.2 Utilisation conforme à l'usage prévu

Le produit décrit est une scie sabre sans fil. Elle est destinée aux travaux de sciage dans le bois ou des matières analogues au bois, des matériaux métalliques ainsi que dans des plastiques.

Le produit doit être tenu avec les deux mains.

- ▶ Pour ce produit, utiliser exclusivement les accus Li-Ion **Hilti** de la série B 36.
- ▶ Pour ces accus, utiliser exclusivement les chargeurs **Hilti** de la série C4/36.

3.3 Mauvaise utilisation possible

- ▶ Ne pas scier de la brique, du béton, du béton cellulaire, de la pierre naturelle ou du carrelage.
- ▶ Ne pas utiliser le produit pour scier des conduites contenant encore du liquide.
- ▶ Ne pas scier dans des sous-sols de nature inconnue.

3.4 Affichage de l'état des accus Li-Ion

L'état de charge de l'accu Li-Ion ainsi que les dysfonctionnements de l'appareil sont signalés par le biais de l'affichage de l'accu Li-Ion. L'état de charge de l'accu Li-Ion peut être visualisé en appuyant légèrement sur l'un des deux boutons de déverrouillage.

État	Signification
4 LED allumées.	État de charge : 75 % à 100 %
3 LED allumées.	État de charge : 50 % à 75 %
2 LED allumées.	État de charge : 25 % à 50 %
1 LED allumée.	État de charge : 10 % à 25 %
1 LED clignote.	État de charge : < 10 %



État	Signification
1 LED clignote, l'appareil n'est pas fonctionnel.	L'accu surchauffe ou est complètement déchargé.
4 LED clignotent, l'appareil n'est pas fonctionnel.	Charge excessive ou surchauffe de l'appareil.

i Il n'est pas possible d'interroger l'indicateur de l'état de charge lorsque le variateur électronique de vitesse est actionné et jusqu'à 5 secondes après avoir relâché le variateur électronique de vitesse. Si les LED de l'affichage de l'accu clignotent, se reporter au chapitre Aide au dépannage.

3.5 Éléments livrés.

Scie sabre, lame de scie, mode d'emploi.

i Pour une utilisation en toute sécurité, utiliser uniquement des pièces de rechange et consommables d'origine. Vous trouverez les pièces de rechange, consommables et accessoires autorisés par Hilti convenant pour votre produit dans le centre **Hilti** ou sous : www.hilti.group

3.6 Réglages de la cadence de coupe

Matériaux	Réglages de la cadence de coupe suggérés
Bois	5–6
Bois avec des clous logés à l'intérieur	5–6
Aménagement intérieur, finitions et cloisons sèches	3–4
Plastique	3–4
Acier	2–3
Métaux non ferreux	2–3
Métaux légers	2–3
Acier inoxydable	1

4 Caractéristiques techniques

4.1 Scie sabre

	WSR 36-A
Tension de référence	36 V
Poids	9,63 lb (4,37 kg)
Cadence de coupe	0 tr/min ... 2.850 tr/min
Course	1,3 in (32 mm)
Porte-lame sans clé pour outils standard	1/2 in

5 Utilisation

5.1 Comportement conforme à la sécurité

ATTENTION

Risque de blessures du fait d'une mise en marche inopinée !

- ▶ Avant d'insérer l'accu, s'assurer que le produit correspondant est bien sur arrêt.
- ▶ Retirer le bloc-accu, avant d'effectuer des réglages sur l'appareil ou de changer les accessoires.



**AVERTISSEMENT**

Risque de blessures Danger des contrecoups.

- ▶ Toujours utiliser des lames de scie dont la longueur dépasse d'au moins 40 mm (1 1/2") les dimensions de la pièce travaillée pendant le cycle de course.

**AVERTISSEMENT**

Risque de blessures du fait du dispositif de verrouillage de la lame / porte-lame

- ▶ Le carter du dispositif de verrouillage de la lame / porte-lame ne doit pas être utilisé comme une partie sans protège-main opérationnel.

**AVERTISSEMENT**

Risque de blessures du fait du dispositif de verrouillage de la lame / porte-lame

- ▶ Le carter du dispositif de verrouillage de la lame / porte-lame ne doit pas être utilisé comme une partie préhensible.



L'appareil doit être serré contre la pièce travaillée à l'aide du patin d'appui. Ceci permet de garantir un travail fiable et optimal.

- ▶ Bien respecter les consignes de sécurité de la présente documentation ainsi que celles figurant sur l'appareil.

5.2 Retrait de l'accu

1. Appuyer sur les deux boutons de déverrouillage et les maintenir enfoncés.
2. Extraire l'accu du produit vers l'arrière.

5.3 Mise en place de la lame de scie 

Utiliser uniquement des lames de scie avec un emmanchement 1/2".

1. Activer la sécurité de transport.
2. Vérifier si l'emmanchement de l'outil est bien propre et légèrement graissé. Le nettoyer et le graisser si nécessaire.
3. Tourner la douille de verrouillage du porte-lame dans le sens contraire des aiguilles d'une montre et la maintenir dans cette position.
4. Pousser la lame par l'avant dans le porte-lame.
5. Relâcher la douille de verrouillage jusqu'à ce qu'elle se verrouille (déclat audible).
6. Vérifier que la lame est bien enclenchée en tirant dessus.

5.4 Retrait de la lame de scie

1. Activer la sécurité de transport.
2. Tourner la douille de verrouillage du porte-lame dans le sens contraire des aiguilles d'une montre et la maintenir dans cette position.
3. Tirer la lame du porte-lame vers l'avant hors du porte-lame.
4. Relâcher la douille de verrouillage.

5.5 Réglage du patin d'appui 

En réglant le patin d'appui, la longueur de lame peut être utilisée de manière optimale et l'accès dans les coins est amélioré. Le patin d'appui s'encliquette selon un écartement de 6 mm (15/64").

Ne pas dérégler le patin en cours de fonctionnement.

1. Activer la sécurité de transport.
2. Retirer la lame de scie.
3. Appuyer sur le bouton-poussoir de réglage du patin d'appui et le maintenir appuyé.



4. Pousser la butée de profondeur dans la position souhaitée.
5. Relâcher le bouton-poussoir de réglage du patin d'appui.
6. Vérifier si le patin est bien enclenché en tirant dessus.

5.6 Réglage de la cadence de coupe



Les réglages de la cadence de coupe recommandés sont indiqués dans le tableau des applications.

1. Tourner le régulateur de la cadence et régler la cadence de coupe entre 1 (faible) et 6 (élevée).
2. Appuyer sur le variateur électronique de vitesse.



Règle la cadence de coupe présélectionnée.

5.7 Adaptateur coupe-tubes (accessoire) 7

1. Activer la sécurité de transport.
2. Retirer la lame de scie.
3. Appuyer sur le bouton-poussoir de réglage du patin d'appui et le maintenir appuyé.
4. Retirer le patin d'appui de l'appareil vers l'avant.
5. Glisser l'adaptateur coupe-tubes par l'avant jusqu'à obtention de la position souhaitée.
6. Relâcher le bouton-poussoir de réglage du patin d'appui.
7. Vérifier si l'adaptateur coupe-tubes est bien fixé en tirant dessus.
8. Ouvrir complètement le crampon de vis de serrage sur l'adaptateur coupe-tubes.
9. Placer la chaîne de l'adaptateur coupe-tubes autour du tube et l'accrocher à l'adaptateur.



Un angle de 45° doit séparer l'appareil et la vis de serrage.

10. Fermer le crampon de vis de serrage.

5.8 Introduction de l'accu 8

ATTENTION

Risque de court-circuit !

- ▶ Avant d'insérer l'accu dans l'appareil, s'assurer que les contacts de l'accu et les contacts sur le produit sont exempts de corps étrangers.

AVERTISSEMENT

Risque de blessures Danger engendré par la chute de l'accu.

- ▶ Une chute d'accu pourrait vous mettre en danger ou mettre en danger d'autres personnes. Vérifier que l'accu est bien en place dans la scie sabre.
- ▶ Introduire l'accu dans le produit par l'arrière, jusqu'à ce qu'il s'encliquette en butée avec un « double-clic » audible.

5.9 Mise en marche

1. Désactiver la sécurité de transport.
2. Appuyer sur le variateur électronique de vitesse.

5.10 Arrêt

AVERTISSEMENT

Risque de blessures car la scie continue de tourner !

- ▶ Relever le produit de la pièce travaillée seulement une fois qu'il est complètement arrêté.
- ▶ Attendre jusqu'à ce que le produit soit complètement arrêté avant de le déposer.



1. Relâcher le variateur électronique de vitesse.
2. Activer la sécurité de transport.

5.11 Sciage en plongée

AVERTISSEMENT

Risque de blessures Danger des contrecoups.

- ▶ Lors du sciage en plongée, sécuriser la zone à l'arrière du lieu d'intervention. Utiliser uniquement des lames de scie appropriées (les plus courtes possibles).



Ne procéder à un sciage en plongée que dans des matériaux tendres et avec des lames de scie courtes. Pour effectuer des coupes en plongée, il est possible d'utiliser le produit avec deux positions de réglage : soit la position normale, soit la position retournée.

1. Positionner le produit avec le bord avant du patin d'appui AVR sur la pièce à découper.
2. Activer la sécurité de transport.
3. Appuyer sur le variateur électronique de vitesse.
4. Appuyer fortement le produit contre la pièce travaillée et plonger dans le matériau en réduisant l'angle d'appui.



Il est important que le produit soit en marche, avant d'appuyer la lame de scie contre le matériau support, sinon le produit peut se bloquer.

5. Une fois la profondeur de coupe nécessaire atteinte, remettre le produit dans sa position de travail normale (de sorte que le patin d'appui soit bien à plat) et continuer à scier le long du tracé.

6 Nettoyage et entretien des appareils sans fil

AVERTISSEMENT

Risque de blessures lorsque l'accu est inséré !

- ▶ Toujours retirer l'accu avant tous travaux de nettoyage et d'entretien !

Entretien de l'appareil

- Éliminer prudemment les saletés récalcitrantes.
- Nettoyer les ouïes d'aération avec précaution au moyen d'une brosse sèche.
- Nettoyer le boîtier uniquement avec un chiffon légèrement humidifié. Ne pas utiliser de nettoyants à base de silicone, ceci pourrait attaquer les pièces en plastique.

Entretien des accus Li-ion

- Veiller à ce que l'accu soit toujours propre et exempt de traces de graisse et d'huile.
- Nettoyer le boîtier uniquement avec un chiffon légèrement humidifié. Ne pas utiliser de nettoyants à base de silicone, ceci pourrait attaquer les pièces en plastique.
- Éviter toute pénétration d'humidité.

Entretien

- Vérifier régulièrement qu'aucune pièce visible n'est endommagée et que les organes de commande sont parfaitement opérationnels.
- En cas d'endommagements et/ou de dysfonctionnements, ne pas utiliser l'appareil sans fil. Le faire immédiatement réparer par le S.A.V. **Hilti**.
- Après des travaux de nettoyage et d'entretien, vérifier si tous les équipements de protection sont bien en place et fonctionnent parfaitement.

6.1 Contrôle après des travaux de nettoyage et d'entretien

- ▶ Après des travaux de nettoyage et d'entretien, vérifier si tous les équipements de protection sont bien en place et fonctionnent parfaitement.



7 Transport et stockage des appareils sur accu

Transport

ATTENTION

Mise en marche inopinée lors du transport !

- ▶ Toujours retirer les accus avant de transporter les produits !
- ▶ Retirer les accus.
- ▶ Ne jamais transporter les accus en vrac.
- ▶ Avant toute utilisation consécutive à un transport prolongé de l'appareil et des accus, toujours vérifier qu'ils ne sont pas endommagés.

Stockage

ATTENTION

Endommagement involontaire du fait d'accus défectueux ou de chute d'accu !

- ▶ Toujours retirer les accus avant de stocker les produits !
- ▶ Stocker l'appareil et les accus si possible au frais et au sec.
- ▶ Ne jamais stocker les accus exposés au soleil, sur des installations de chauffage ou derrière des vitres.
- ▶ Stocker l'appareil et les accus hors de portée des enfants et des personnes non autorisées.
- ▶ Avant toute utilisation consécutive à un stockage prolongé de l'appareil et des accus, toujours vérifier qu'ils ne sont pas endommagés.

8 Aide au dépannage

En cas de défaillances non énumérées dans ce tableau ou auxquelles il n'est pas possible de remédier sans aide, contacter le S.A.V. Hilti.

8.1 La scie sabre n'est pas en état de marche


Défaillance	Causes possibles	Solution
Les LED n'indiquent rien.	L'accu n'est pas complètement encliqueté.	▶ Encliqueter l'accu d'un « double-clic ».
	L'accu est vide.	▶ Retirer l'accu.
1 LED clignote.	La sécurité de transport n'est pas activée.	▶ Activer la sécurité de transport.
	Décharger l'accu.	▶ Remplacer l'accu et charger l'accu vide.
	Accu trop chaud ou trop froid.	▶ Amener l'accu à la température de service recommandée.

8.2 La scie sabre est en état de marche

Défaillance	Causes possibles	Solution
L'appareil n'atteint pas la pleine puissance.	Le variateur électronique de vitesse n'est pas complètement enfoncé.	▶ Enfoncer complètement le variateur électronique de vitesse.
	Décharger l'accu.	▶ Remplacer l'accu et charger l'accu vide.
	Cadence de coupe réglée sur une valeur trop faible.	▶ Régler le régulateur de la cadence de coupe sur la valeur recommandée pour le matériel à scier.
Impossible de retirer la lame de scie du porte-lame.	La douille de verrouillage n'a pas été tournée jusqu'en butée.	▶ Tourner la douille de verrouillage jusqu'en butée et retirer la lame de scie.



9 Recyclage

 Les appareils **Hilti** sont fabriqués pour une grande partie en matériaux recyclables. Le recyclage présuppose un tri adéquat des matériaux. **Hilti** reprend les appareils usagés dans de nombreux pays en vue de leur recyclage. Consulter le service clients **Hilti** ou un conseiller commercial.

Élimination des accus

Une élimination non conforme des accus peut produire des émanations de gaz et de liquides nocives pour la santé.

- ▶ Ne pas envoyer ni expédier d'accus endommagés !
- ▶ Recouvrir les raccordements avec un matériau non conducteur pour éviter tout court-circuit.
- ▶ Éliminer les accus en veillant à ce qu'ils soient hors de la portée des enfants.
- ▶ Éliminer l'accu en le déposant auprès du **Hilti Store** local ou s'adresser à l'entreprise de collecte des déchets compétente.



- ▶ Ne pas jeter les appareils électriques, électroniques et accus dans les ordures ménagères !

10 Garantie constructeur

- ▶ En cas de questions sur les conditions de garantie, veuillez vous adresser à votre partenaire **Hilti** local.

Manual de instrucciones original

1 Información sobre la documentación

1.1 Acerca de esta documentación

- Lea detenidamente esta documentación antes de la puesta en servicio. Ello es imprescindible para un trabajo seguro y un manejo sin problemas.
- Respete las indicaciones de seguridad y las advertencias presentes en esta documentación y en el producto.
- Conserve este manual de instrucciones siempre junto con el producto y entregue el producto a otras personas siempre acompañado del manual.

1.2 Explicación de símbolos

1.2.1 Avisos

Las advertencias de seguridad advierten de peligros derivados del manejo del producto. Las siguientes palabras de peligro se utilizan combinadas con un símbolo:



¡PELIGRO! Término utilizado para un peligro inminente que puede ocasionar lesiones graves o incluso la muerte.



¡ADVERTENCIA! Término utilizado para un posible peligro inminente que puede ocasionar lesiones graves o incluso la muerte.



PRECAUCIÓN Término utilizado para una posible situación peligrosa que puede ocasionar lesiones leves o daños materiales

1.2.2 Símbolos en la documentación

En esta documentación se utilizan los siguientes símbolos:



Leer el manual de instrucciones antes del uso



Indicaciones de uso y demás información de interés

1.2.3 Símbolos en las figuras

En las figuras se utilizan los siguientes símbolos:



Estos números hacen referencia a la figura correspondiente incluida al principio de este manual



3	La numeración describe el orden de los pasos de trabajo en la imagen y puede ser diferente de los pasos descritos en el texto
11	Los números de posición se utilizan en la figura Vista general y los números de la leyenda están explicados en el apartado Vista general del producto
	Preste especial atención a este símbolo cuando utilice el producto.

1.3 Símbolos de productos

1.3.1 Símbolos en el producto

En el producto se utilizan los siguientes símbolos:

n_0	Número de carreras
---	Corriente continua
	El producto permite la transferencia de datos inalámbrica, compatible con plataformas iOS y Android.
Li-Ion	Batería de Ion-Litio
	Serie utilizada de baterías de Ion-Litio Hilti . Consulte las indicaciones recogidas en el capítulo Uso conforme a las prescripciones .
	Nunca utilice la batería como herramienta de percusión.
	No deje que la batería se caiga. No utilice baterías que hayan recibido algún golpe ni que estén dañadas de alguna otra forma.

1.4 Información del producto

Los productos **Hilti** están diseñados para usuarios profesionales y solo deben ser manejados, conservados y reparados por personal autorizado y debidamente formado. Este personal debe estar especialmente instruido en lo referente a los riesgos de uso. La utilización del producto y sus dispositivos auxiliares puede conllevar riesgos para el usuario en caso de manejarse de forma inadecuada por personal no cualificado o utilizarse para usos diferentes a los que están destinados.

La denominación del modelo y el número de serie están indicados en la placa de identificación.

- Copie el número de serie en la siguiente tabla. Necesitará los datos del producto para realizar consultas a nuestros representantes o al Departamento de Servicio Técnico.

Datos del producto

Sierra sable	WSR 36-A
Generación:	01
N.º de serie:	

1.5 Declaración de conformidad

Bajo nuestra exclusiva responsabilidad, declaramos que el producto aquí descrito cumple con las directivas y normas vigentes. Encontrará una reproducción del organismo certificador al final de esta documentación. La documentación técnica se encuentra depositada aquí:

Hilti Entwicklungsgesellschaft mbH | Zulassung Geräte | Hiltistraße 6 | 86916 Kaufering, DE

2 Seguridad

2.1 Indicaciones generales de seguridad para herramientas eléctricas

⚠ ADVERTENCIA Lea con atención todas las instrucciones e indicaciones de seguridad. Si no se tienen en cuenta las instrucciones e indicaciones de seguridad, podrían producirse descargas eléctricas, incendios o lesiones graves.

Conserve todas las instrucciones e indicaciones de seguridad para futuras consultas.



El término «herramienta eléctrica» empleado en las indicaciones de seguridad se refiere a herramientas eléctricas portátiles, ya sea con cable de red o sin cable, en caso de ser accionadas por batería.

Seguridad en el puesto de trabajo

- ▶ **Mantenga su área de trabajo limpia y bien iluminada.** El desorden o una iluminación deficiente de las zonas de trabajo pueden provocar accidentes.
- ▶ **No utilice la herramienta eléctrica en un entorno con peligro de explosión en el que se encuentren combustibles líquidos, gases o material en polvo.** Las herramientas eléctricas producen chispas que pueden llegar a inflamar los materiales en polvo o vapores.
- ▶ **Mantenga alejados a los niños y otras personas de su puesto de trabajo al emplear la herramienta eléctrica.** Una distracción le puede hacer perder el control sobre la herramienta.

Seguridad eléctrica

- ▶ **El enchufe de la herramienta eléctrica debe corresponder a la toma de corriente utilizada. No se deberá modificar el enchufe en forma alguna. No utilice enchufes adaptadores para las herramientas eléctricas con puesta a tierra.** Los enchufes sin modificar adecuados a las respectivas tomas de corriente reducen el riesgo de descarga eléctrica.
- ▶ **Evite el contacto corporal con superficies que tengan puesta a tierra, como pueden ser tubos, calefacciones, cocinas y frigoríficos.** El riesgo a quedar expuesto a una sacudida eléctrica es mayor si su cuerpo tiene contacto con tierra.
- ▶ **No exponga las herramientas eléctricas a la lluvia y evite que penetren líquidos en su interior.** El riesgo de recibir descargas eléctricas aumenta si penetra agua en la herramienta eléctrica.
- ▶ **No utilice el cable de red para transportar o colgar la herramienta eléctrica ni tire de él para extraer el enchufe de la toma de corriente. Mantenga el cable de red alejado de fuentes de calor, aceite, aristas afiladas o piezas móviles de la herramienta.** Los cables de red dañados o enredados pueden provocar descargas eléctricas.
- ▶ **Cuando trabaje al aire libre con una herramienta eléctrica, utilice exclusivamente un alargador adecuado para exteriores.** La utilización de un alargador adecuado para su uso en exteriores evita el riesgo de una descarga eléctrica.
- ▶ **Cuando no pueda evitarse el uso de la herramienta en un entorno húmedo, utilice un interruptor de corriente de defecto.** La utilización de un interruptor de corriente de defecto evita el riesgo de una descarga eléctrica.

Seguridad de las personas

- ▶ **Permanezca atento, preste atención durante el trabajo y utilice la herramienta eléctrica con prudencia. No utilice una herramienta eléctrica si está cansado, ni tampoco después de haber consumido alcohol, drogas o medicamentos.** Un momento de descuido al utilizar la herramienta eléctrica podría producir graves lesiones.
- ▶ **Utilice el equipo de protección adecuado y lleve siempre gafas protectoras.** El riesgo de lesiones se reduce considerablemente si, según el tipo y la aplicación de la herramienta eléctrica empleada, se utiliza un equipo de cubierta protectora adecuado como una mascarilla antipolvo, zapatos de seguridad con suela antideslizante, casco o protección para los oídos.
- ▶ **Evite una puesta en marcha fortuita de la herramienta. Asegúrese de que la herramienta eléctrica está apagada antes de alzarla, transportarla, conectarla a la alimentación de corriente o insertar la batería.** Si transporta la herramienta eléctrica sujetándola por el interruptor de conexión/desconexión o si introduce el enchufe en la toma de corriente con la herramienta conectada, podría producirse un accidente.
- ▶ **Retire las herramientas de ajuste o llaves fijas antes de conectar la herramienta eléctrica.** Una herramienta o llave colocada en una pieza giratoria puede producir lesiones al ponerse en funcionamiento.
- ▶ **Evite adoptar posturas forzadas. Procure que la postura sea estable y manténgase siempre en equilibrio.** De esta forma podrá controlar mejor la herramienta eléctrica en caso de presentarse una situación inesperada.
- ▶ **Utilice ropa adecuada. No utilice vestimenta amplia ni joyas. Mantenga su pelo, vestimenta y guantes alejados de las piezas móviles.** La vestimenta suelta, las joyas y el pelo largo se pueden enganchar con las piezas en movimiento.
- ▶ **Siempre que sea posible utilizar equipos de aspiración o captación de polvo, asegúrese de que están conectados y de que se utilizan correctamente.** El uso de un sistema de aspiración reduce los riesgos derivados del polvo.

Uso y manejo de la herramienta eléctrica

- ▶ **No sobrecargue la herramienta. Utilice la herramienta eléctrica adecuada para el trabajo que se dispone a realizar.** Con la herramienta eléctrica apropiada podrá trabajar mejor y de modo más seguro dentro del margen de potencia indicado.



- ▶ **No utilice herramientas eléctricas con el interruptor defectuoso.** Las herramientas eléctricas que no se puedan conectar o desconectar son peligrosas y deben repararse.
- ▶ **Extraiga el enchufe de la toma de corriente o retire la batería antes de efectuar cualquier ajuste en la herramienta, cambiar accesorios o en caso de no utilizar la herramienta durante un tiempo prolongado.** Esta medida preventiva evita el riesgo de conexión accidental de la herramienta eléctrica.
- ▶ **Guarde las herramientas eléctricas que no utilice fuera del alcance de los niños. No permita utilizar la herramienta a ninguna persona que no esté familiarizada con ella o no haya leído este manual de instrucciones.** Las herramientas eléctricas utilizadas por personas inexpertas son peligrosas.
- ▶ **Cuide su herramienta eléctrica adecuadamente. Compruebe si las piezas móviles de la herramienta funcionan correctamente y sin atascarse, y si existen piezas rotas o deterioradas que pudieran afectar al funcionamiento de la herramienta eléctrica. Encargue la reparación de las piezas defectuosas antes de usar la herramienta eléctrica.** Muchos accidentes son consecuencia de un mantenimiento inadecuado de la herramienta eléctrica.
- ▶ **Mantenga los útiles limpios y afilados.** Las herramientas de corte bien cuidadas y con aristas afiladas se atascan menos y se guían con más facilidad.
- ▶ **Utilice la herramienta eléctrica, los accesorios, útiles, etc., de acuerdo con estas instrucciones. Para ello, tenga en cuenta las condiciones de trabajo y la tarea que se va a realizar.** El uso de herramientas eléctricas para trabajos diferentes de aquellos para los que han sido concebidas puede resultar peligroso.

Uso y manejo de la herramienta de batería

- ▶ **Cargue las baterías únicamente con los cargadores recomendados por el fabricante.** Existe riesgo de incendio al intentar cargar baterías de un tipo diferente al previsto para el cargador.
- ▶ **Utilice únicamente las baterías previstas para la herramienta eléctrica.** El uso de otro tipo de baterías puede provocar daños e incluso incendios.
- ▶ **Si no utiliza la batería, guárdela separada de clips, monedas, llaves, clavos, tornillos o demás objetos metálicos que pudieran puentear sus contactos.** El cortocircuito de los contactos de la batería puede causar quemaduras o incendios.
- ▶ **La utilización inadecuada de la batería puede provocar fugas de líquido. Evite el contacto con este líquido. En caso de contacto accidental, enjuague el área afectada con abundante agua. En caso de contacto con los ojos, acuda además inmediatamente a un médico.** El líquido de la batería puede irritar la piel o producir quemaduras.

Servicio Técnico

- ▶ **Solicite que un profesional lleve a cabo la reparación de su herramienta eléctrica y que utilice exclusivamente piezas de repuesto originales.** Solamente así se garantiza la seguridad de la herramienta.

2.2 Indicaciones de seguridad para sierras de calar/sierras sable

- ▶ **Sujete la herramienta eléctrica por las empuñaduras aisladas cuando realice trabajos en los que el útil de inserción puede entrar en contacto con cables eléctricos ocultos.** El contacto con los cables conductores puede traspasar la conductividad a las partes metálicas y producir descargas eléctricas.

2.3 Indicaciones de seguridad adicionales

Seguridad de las personas

- ▶ **Utilice dispositivos de sujeción u otro método factible para asegurar la pieza de trabajo y mantenerla en una posición estable.** Sujetar la pieza de trabajo con la mano o el cuerpo es inestable y puede derivar en una pérdida de control.
- ▶ **No está permitido efectuar manipulaciones o modificaciones en la herramienta.**
- ▶ **Utilice protección para los oídos.** El ruido constante puede reducir la capacidad auditiva.
- ▶ **Si la herramienta se utiliza sin un sistema de aspiración de polvo, debe emplearse una mascarilla ligera al realizar trabajos que generen polvo.**
- ▶ **Efectúe pausas durante el trabajo, así como ejercicios de relajación y estiramiento de los dedos para mejorar la circulación de estos.**
- ▶ **Asegure la pieza de trabajo. Utilice dispositivos de sujeción o un tornillo de banco para sujetar la pieza de trabajo.** De esa forma estará sujeta de modo más seguro que con la mano y, por otro lado, tendrá las dos manos libres para manejar la herramienta.
- ▶ **La herramienta no es adecuada para personas con poca fuerza a las que no se haya instruido.**
- ▶ **Mantenga la herramienta fuera del alcance de los niños.**
- ▶ **Utilice los guantes de protección para el cambio de útil, ya que este se calienta debido al uso y los filos de corte de la hoja de sierra están afilados.**



- ▶ **Conecte el producto una vez se encuentre en la posición de trabajo.**
- ▶ **No utilice nunca la herramienta sin llevar puesta la protección de las manos.**
- ▶ **Active el seguro de transporte para realizar el almacenamiento y el transporte de la herramienta.**
- ▶ Evite un arranque inesperado. **No sujete la herramienta colocando el dedo en el conmutador de control. Debe extraer la batería de la herramienta cuando no la vaya utilizar (durante una pausa, antes de realizar un trabajo de mantenimiento, al cambiar de útiles o durante el transporte).**
- ▶ **Respete la normativa nacional en materia de protección laboral.**
- ▶ El polvo procedente de materiales como pinturas con plomo, determinadas maderas, hormigón/mampostería/rocas con cuarzo, así como minerales y metal puede ser nocivo para la salud. El contacto con el polvo o su inhalación puede provocar reacciones alérgicas o asfixia al usuario o a personas que se encuentren en su entorno. Existen determinados tipos de polvo, como puede ser el de roble o el de haya, catalogados como cancerígenos, especialmente si se encuentra mezclado con aditivos usados en el tratamiento de la madera (cromato, agente protector para la madera). Únicamente expertos cualificados están autorizados a manipular materiales que contengan asbesto. **Utilice siempre que sea posible un aspirador de polvo. Para lograr un alto grado de aspiración del polvo, utilice un aspirador de polvo portátil apropiado. Utilice una mascarilla adecuada para cada clase de polvo. Procure una buena ventilación del lugar de trabajo. Respete la normativa vigente en su país concerniente al procesamiento de los materiales de trabajo.**

Seguridad eléctrica

- ▶ **Compruebe antes de empezar a trabajar si la zona de trabajo oculta cables eléctricos, tuberías de gas o cañerías de agua, por ejemplo, con un detector de metales.** Las partes metálicas exteriores de la herramienta pueden pasar a conducir electricidad si, por ejemplo, se ha dañado por error un cable eléctrico. Dichas partes suponen un peligro serio por el riesgo de una descarga eléctrica.

Indicaciones de seguridad especiales para sierras sable

- ▶ **Aparte siempre la herramienta del cuerpo cuando se esté trabajando con ella.**
- ▶ **No ponga nunca las manos delante de la hoja de sierra o en la misma.**
- ▶ **No corte nunca superficies desconocidas y mantenga la guía de corte libre de obstáculos por arriba y por abajo.** De lo contrario, la hoja de la sierra puede provocar el retroceso de la herramienta si choca contra un objeto.
- ▶ **Trabaje con una presión de apriete moderada y una velocidad de corte apropiada cuando utilice un adaptador para corte de tubos (accesorio), especialmente en tubos con un diámetro grande.** De este modo, se impide el sobrecalentamiento de la herramienta.
- ▶ **¡Advertencia! Al cortar tuberías, por ejemplo cuando realice trabajos de derribo e instalación, asegúrese de que ya no contienen líquidos y vacíelas en caso necesario. Cuando corte tuberías, mantenga la herramienta por encima de la pieza que desea cortar.** La herramienta no está dotada de ninguna protección contra la penetración de humedad. El líquido derramado puede ocasionar un cortocircuito en la herramienta.
- ▶ **No sierre fuera de la zona de trabajo o con herramientas inadecuadas (dimensionado erróneo u hojas para sierras sable sin extremo de inserción de 1/2").**

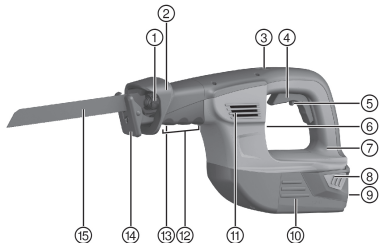
Manipulación y utilización segura de las baterías

- ▶ **Tenga en cuenta las directivas especiales en materia de transporte, almacenamiento y manejo de las baterías de Ion-Litio.**
- ▶ **Mantenga las baterías alejadas de altas temperaturas y fuego.** Existe peligro de explosión.
- ▶ **Evite la penetración de humedad.** La humedad puede provocar un cortocircuito y, como consecuencia, quemaduras o incendios.
- ▶ **Las baterías no se deben destruir, comprimir, calentar por encima de 80 °C (176 °F) o quemar.** En caso contrario existe peligro de abrasión, incendio y explosión.
- ▶ **Las baterías dañadas (p. ej., baterías con grietas, piezas rotas o contactos doblados, metidos hacia dentro o extraídos) no deben cargarse ni seguir utilizándose.**
- ▶ **No utilice las baterías como fuente de energía para otros consumidores no especificados.**
- ▶ Si al tocar la batería detecta que está muy caliente, puede deberse a una avería en la misma. **Coloque la herramienta en un lugar visible, no inflamable y alejado de materiales inflamables, y deje que se enfríe. Póngase en contacto con el Servicio Técnico de Hilti una vez que la batería se haya enfriado.**



3 Descripción

3.1 Vista general del producto 1



- ① Bloqueo del útil/portaútiles
- ② Protección de la mano con cubierta bloqueo del útil/portaútiles
- ③ Regulador del número de carreras
- ④ Conmutador de control
- ⑤ Seguro de transporte
- ⑥ Placa de identificación
- ⑦ Empuñadura
- ⑧ Tecla de desbloqueo de la batería
- ⑨ Indicador del estado de carga de la batería
- ⑩ Batería
- ⑪ Rejillas de ventilación
- ⑫ Zona de agarre delantera (protección de la mano)
- ⑬ Pulsador para el ajuste de la zapata de presión
- ⑭ Zapata de presión
- ⑮ Hoja de sierra

3.2 Uso conforme a las prescripciones

El producto descrito es una sierra sable de batería. Está destinada al tronzado de madera, materiales similares y metálicos, así como plásticos.

El producto ha sido diseñado para el uso con dos manos.

- ▶ Para este producto utilice únicamente las baterías de Ion-Litio de **Hilti** de la serie B 36.
- ▶ Para estas baterías utilice exclusivamente los cargadores de **Hilti** de la serie C4/36.

3.3 Posibles usos indebidos

- ▶ No corte ladrillos, hormigón, hormigón poroso, piedra natural ni azulejos.
- ▶ No utilice el producto para cortar tuberías que todavía contienen líquidos.
- ▶ No sierre cuando se desconozca lo que se encuentra en la capa inferior.

3.4 Indicador de la batería de Ion-Litio

El estado de carga de la batería de Ion-Litio y las averías de la herramienta se indican mediante el indicador de la batería de Ion-Litio. El estado de carga de la batería de Ion-Litio se visualiza pulsando una de las dos teclas de desbloqueo de la batería.

Estado	Significado
Los 4 LED se iluminan.	Estado de carga: 75 % a 100 %
Los 3 LED se iluminan.	Estado de carga: 50 % a 75 %
Los 2 LED se iluminan.	Estado de carga: 25 % a 50 %
1 LED encendido.	Estado de carga: 10 % a 25 %
1 LED parpadea.	Estado de carga: < 10 %



Estado	Significado
1 LED parpadea, la herramienta no está lista para funcionar.	La batería está sobrecalentada o totalmente descargada.
4 LED parpadean, la herramienta no está lista para funcionar.	La herramienta está sobrecargada o sobrecalentada.

i Con el conmutador de control accionado y hasta 5 s después de soltarlo no es posible consultar el estado de carga. Si los LED del indicador de la batería parpadean, observe las indicaciones del capítulo «Ayuda en caso de averías».

3.5 Suministro.

Sierra sable, hoja de sierra, manual de instrucciones.

i Para garantizar un correcto funcionamiento, utilice exclusivamente piezas de repuesto y material de consumo originales. Puede encontrar las piezas de repuesto, el material de consumo y los accesorios que comercializamos en su Centro **Hilti** o en www.hilti.com

3.6 Ajuste del número de carreras

Material de trabajo	Recomendación de ajuste del número de carreras
Madera	5-6
Madera fijada con clavos	5-6
Construcción de interiores, construcción en seco	3-4
Plástico	3-4
Acero	2-3
Metales no férricos	2-3
Metales ligeros	2-3
Acero inoxidable	1

4 Datos técnicos

4.1 Sierra sable

	WSR 36-A
Tensión nominal	36 V
Peso	9,63 lb (4,37 kg)
Número de carreras	0 rpm ... 2.850 rpm
Longitud de carrera	1,3 in (32 mm)
Portaútiles con inserción automática de útiles estándar	1/2 in

5 Manejo

5.1 Comportamiento de seguridad

PRECAUCIÓN

Riesgo de lesiones por arranque involuntario.

- ▶ Antes de insertar la batería, asegúrese de que el producto correspondiente esté desconectado.
- ▶ Retire la batería antes de realizar ajustes en la herramienta o de cambiar accesorios.



⚠ ADVERTENCIA

Riesgo de lesiones Peligro de rebote.

- ▶ Utilice siempre hojas de sierra cuya longitud sobresalga de la pieza al menos 40 mm (1 1/2") durante el ciclo de la carrera.

⚠ ADVERTENCIA

Riesgo de lesiones por el bloqueo del útil/portaútiles

- ▶ Sujete siempre la herramienta con ambas manos por las empuñaduras previstas. No utilice nunca la herramienta sin un protector de mano en buen estado funcional.

⚠ ADVERTENCIA

Riesgo de lesiones mediante el bloqueo del útil/portaútiles

- ▶ La cubierta del bloqueo del útil/portaútiles no se puede utilizar como parte de agarre.



La herramienta debe presionarse con la zapata de presión contra la pieza que se va a trabajar. Eso garantiza un trabajo óptimo y seguro.

- ▶ Observe todas las indicaciones de seguridad recogidas en esta documentación y las colocadas en la herramienta.

5.2 Extracción de la batería 3

1. Mantenga pulsados los dos botones de desbloqueo.
2. Extraiga la batería del producto tirando hacia atrás.

5.3 Colocación de la hoja de sierra 4



Utilice únicamente hojas de sierra con extremos de inserción de 1/2".

1. Active el seguro de transporte.
2. Compruebe si el extremo de inserción del útil está limpio y ligeramente engrasado. Limpie y engrase el extremo de inserción en caso necesario.
3. Gire el casquillo de bloqueo del portaútiles hacia la izquierda y manténgalo apretado.
4. Presione desde delante la hoja de sierra en el portaútiles.
5. Deje que el casquillo de bloqueo retroceda hacia atrás hasta que encaje de forma audible.
6. Tire de la hoja de sierra para comprobar que está bien enclavada.

5.4 Retirada de la hoja de sierra 5

1. Active el seguro de transporte.
2. Gire el casquillo de bloqueo del portaútiles en el sentido contrario a las agujas del reloj y manténgalo apretado.
3. Extraiga la hoja de sierra del portaútiles tirando hacia fuera.
4. Deslice hacia atrás el casquillo de bloqueo.

5.5 Ajuste de la zapata de presión 6



Al regular la zapata de presión, se aprovecha de forma óptima la longitud de la hoja de la sierra y se mejora el acceso a las esquinas. La zapata de presión se enclava a intervalos de 6 mm (15/64"). No ajuste la zapata de presión durante el funcionamiento.

1. Active el seguro de transporte.
2. Retire la hoja de sierra.
3. Presione el pulsador para el ajuste de la zapata de presión y manténgalo pulsado.
4. Desplace la zapata de presión hasta la posición deseada.



5. Suelte el pulsador para el ajuste de la zapata de presión.
6. Tire de la zapata de presión para comprobar que está bien enclavada.

5.6 Ajuste del número de carreras



Consulte el ajuste del número de carreras recomendado en la tabla de aplicaciones.

1. Gire el regulador del número de carreras y ajuste el número de carreras entre 1 (pequeño) y 6 (grande).
2. Pulse el conmutador de control.



Se ajusta el número de carreras preseleccionado.

5.7 Adaptador para corte de tubos (accesorio)

1. Active el seguro de transporte.
2. Retire la hoja de sierra.
3. Presione el pulsador para el ajuste de la zapata de presión y manténgalo pulsado.
4. Tire de la zapata de presión hacia delante desde la herramienta.
5. Desplace el adaptador para corte de tubos hacia delante hasta la posición deseada de la herramienta.
6. Suelte el pulsador para el ajuste de la zapata de presión.
7. Tire del adaptador para corte de tubos para comprobar que está bien enclavado.
8. Abra la abrazadera del adaptador para corte de tubos.
9. Coloque la cadena del adaptador para corte de tubos alrededor del tubo y cuélguela del adaptador.



Entre la herramienta y el tornillo de apriete debe haber un ángulo de 45°.

10. Cierre la abrazadera.

5.8 Colocación de la batería



PRECAUCIÓN

Peligro de cortocircuito !

- ▶ Antes de insertar la batería, asegúrese de que los contactos de la batería y del producto estén libres de cuerpos extraños.



ADVERTENCIA

Riesgo de lesiones Peligro por la caída de la batería.

- ▶ Si se cae la batería, puede dañarle a usted y a otras personas. Compruebe que la batería está bien colocada en la sierra sable.
- ▶ Introduzca la batería en el producto empujando desde atrás hasta que oiga un doble clic que le indica que está encajada en el tope.

5.9 Conexión

1. Desactive el seguro de transporte.
2. Pulse el conmutador de control.

5.10 Desconexión



ADVERTENCIA

Riesgo de lesiones por funcionamiento residual de la sierra !

- ▶ No levante el producto de la pieza hasta que se haya parado por completo.
- ▶ Espere hasta que el producto se haya detenido por completo antes de dejarlo sobre alguna superficie.

1. Suelte el conmutador de control.



2. Active el seguro de transporte.

5.11 Serrado de inmersión

ADVERTENCIA

Riesgo de lesiones Peligro de rebote.

- ▶ Asegure la zona con suficiente margen hacia atrás para la realización de trabajos de serrado de inmersión. Utilice únicamente hojas de sierra apropiadas (lo más cortas posibles).



Utilice el método de serrado por inmersión solo para materiales blandos y con hojas de sierra cortas. Es posible utilizar el producto con dos ajustes de corte por inmersión diferentes: en la posición normal o en la posición invertida.

1. Coloque el producto con el borde delantero de la zapata de presión AVR sobre la pieza.
2. Accione el seguro de transporte.
3. Pulse el conmutador de control.
4. Presione el producto fuertemente contra la pieza e introdúzcalo en la superficie de trabajo reduciendo el ángulo de incidencia.



Es importante que el producto esté en marcha antes de presionar la hoja de sierra contra la superficie de trabajo, ya que de lo contrario podría bloquearse.

5. Una vez que haya atravesado la superficie de la pieza, vuelva a poner el producto en la posición de trabajo normal (la zapata de presión está completamente apoyada) y continúe serrando a lo largo de la línea de corte.

6 Cuidado y mantenimiento de las herramientas alimentadas por batería

ADVERTENCIA

Riesgo de lesiones con la batería colocada !

- ▶ Extraiga siempre la batería antes de llevar a cabo tareas de cuidado y mantenimiento.

Mantenimiento de la herramienta

- Retire con cuidado la suciedad fuertemente adherida.
- Limpie cuidadosamente las rejillas de ventilación con un cepillo seco.
- Limpie la carcasa utilizando únicamente un paño ligeramente humedecido. No utilice limpiadores que contengan silicona, ya que podría afectar a las piezas de plástico.

Cuidado de las baterías de Ion-Litio

- Mantenga la batería limpia y sin residuos de aceite o grasa.
- Limpie la carcasa utilizando únicamente un paño ligeramente humedecido. No utilice limpiadores que contengan silicona, ya que podría afectar a las piezas de plástico.
- Evite la penetración de humedad.

Mantenimiento

- Compruebe con regularidad si las piezas visibles están dañadas o si los elementos de manejo funcionan correctamente.
- No utilice la herramienta de batería si presenta daños o fallos que afecten al funcionamiento. Llévela de inmediato al Servicio Técnico de **Hilti** para que la reparen.
- Coloque todos los dispositivos de protección después de las tareas de cuidado y mantenimiento y compruebe su correcto funcionamiento.

6.1 Comprobación después de las tareas de cuidado y mantenimiento

- ▶ Una vez realizadas las tareas de cuidado y mantenimiento, compruebe si están colocados todos los dispositivos de protección y si estos funcionan correctamente.



7 Transporte y almacenamiento de las herramientas alimentadas por batería

Transporte

PRECAUCIÓN

Arranque involuntario en el transporte !

- ▶ Transporte sus productos siempre sin batería.
- ▶ Retire las baterías.
- ▶ No transporte nunca las baterías sin embalaje.
- ▶ Compruebe si la herramienta o las baterías presentan daños tras haber sido transportadas durante mucho tiempo.

Almacenamiento

PRECAUCIÓN

Daños imprevistos debido a una batería defectuosa o agotada !

- ▶ Guarde su productos siempre sin batería.
- ▶ Guarde la herramienta y las baterías en un lugar lo más seco y fresco posible.
- ▶ No guarde nunca las baterías en un lugar expuesto al sol, sobre un radiador o detrás de una luna de cristal.
- ▶ Guarde la herramienta y las baterías fuera del alcance de niños y personas no autorizadas.
- ▶ Compruebe si la herramienta o las baterías presentan daños tras haber sido almacenadas durante mucho tiempo.

8 Ayuda en caso de averías

Si se producen averías que no estén incluidas en esta tabla o que no pueda solucionar usted, diríjase al Servicio Técnico de **Hilti**.

8.1 La sierra sable no está lista para funcionar

Anomalía	Posible causa	Solución
Los LED no indican nada.	La batería no se ha insertado completamente.	▶ Encaje la batería hasta que note un doble clic.
	La batería está agotada.	▶ Cargue la batería.
	Seguro de transporte no activado.	▶ Accione el seguro de transporte.
1 LED parpadea.	La batería está descargada.	▶ Cambie la batería y recargue la batería vacía.
	La batería está demasiado caliente o fría.	▶ Deje que la batería alcance la temperatura de trabajo recomendada.

8.2 La sierra sable está lista para funcionar

Anomalía	Posible causa	Solución
La herramienta no desarrolla toda la potencia.	Conmutador de control no pulsado del todo.	▶ Pulse completamente el conmutador de control.
	La batería está descargada.	▶ Cambie la batería y recargue la batería vacía.
	El número de carreras se ha ajustado a un valor muy bajo.	▶ Ajustar el regulador del número de carreras a un valor recomendado para el material que desea serrarse.
La hoja de sierra no puede extraerse del portaútiles.	Casquillo de bloqueo no girado hasta el tope.	▶ Gire el casquillo de bloqueo hasta el tope y retire la hoja de sierra.



9 Reciclaje

Las herramientas Hilti están fabricadas en su mayor parte con materiales reutilizables. La condición para dicha reutilización es una separación adecuada de los materiales. En muchos países, Hilti recoge las herramientas usadas para su recuperación. Pregunte en el Servicio de Atención al Cliente de Hilti o a su asesor de ventas.

Eliminación de las baterías

Los gases y líquidos originados por una eliminación indebida de las baterías pueden ser perjudiciales para la salud.

- ▶ No envíe baterías dañadas bajo ningún concepto.
- ▶ Cubra las conexiones con un material no conductor para evitar cortocircuitos.
- ▶ Deshágase de las baterías de tal forma que no terminen en manos de niños.
- ▶ Elimine la batería en su **Hilti Store** o diríjase a su empresa de desechos.



- ▶ No deseche las herramientas eléctricas, los aparatos eléctricos ni las baterías junto con los residuos domésticos.

10 Garantía del fabricante

- ▶ Si tiene alguna consulta acerca de las condiciones de la garantía, póngase en contacto con su sucursal local de Hilti.

Manual de instruções original

1 Indicações sobre a documentação

1.1 Sobre esta documentação

- Antes da colocação em funcionamento, leia esta documentação. Esta é a condição para um trabalho seguro e um manuseamento sem problemas.
- Tenha em atenção as instruções de segurança e as advertências nesta documentação e no produto.
- Guarde o manual de instruções sempre junto do produto e entregue-o a outras pessoas apenas juntamente com este manual.

1.2 Explicação dos símbolos

1.2.1 Advertências

As advertências alertam para perigos durante a utilização do produto. As seguintes indicações de perigo são utilizadas em combinação com um símbolo:

	PERIGO! Indica perigo iminente que pode originar ferimentos corporais graves ou até mesmo fatais.
	AVISO! Indica um possível perigo que pode causar graves ferimentos pessoais, até mesmo fatais.
	CUIDADO! Indica uma situação potencialmente perigosa que pode originar ferimentos corporais ligeiros ou danos materiais

1.2.2 Símbolos na documentação

Nesta documentação são utilizados os seguintes símbolos:

	Leia o manual de instruções antes da utilização
	Instruções de utilização e outras informações úteis

1.2.3 Símbolos nas figuras

Em figuras são utilizados os seguintes símbolos:



2	Estes números referem-se à respectiva imagem no início deste Manual
3	A numeração reproduz uma sequência dos passos de trabalho na imagem e pode divergir dos passos de trabalho no texto
11	Na figura Vista geral são utilizados números de posição que fazem referência aos números da legenda na secção Vista geral do produto
	Este símbolo pretende despertar a sua atenção durante o manuseamento do produto.

1.3 Símbolos dependentes do produto

1.3.1 Símbolos no produto

No produto são utilizados os seguintes símbolos:

n_0	Número de cursos
	Corrente contínua
	O produto suporta a transmissão de dados sem fios, que é compatível com plataformas iOS e Android.
Li-Ion	Bateria de iões de lítio
	Série utilizada da bateria de iões de lítio Hilti . Tenha em atenção as indicações no capítulo Utilização conforme a finalidade projectada .
	Nunca utilize a bateria como ferramenta de percussão.
	Não deixe cair a bateria. Não utilize baterias que tenham recebido uma pancada ou que estejam, de outra forma, danificadas.

1.4 Dados informativos sobre o produto

Os produtos **Hilti** foram concebidos para uso profissional e só devem ser utilizados, mantidos e reparados por pessoal autorizado e devidamente credenciado. Este pessoal deverá estar informado, em particular, sobre os potenciais perigos. O produto e seu equipamento auxiliar podem representar perigo se usados incorrectamente por pessoas não qualificadas ou se usados para fins diferentes daqueles para os quais foram concebidos.

A designação e o número de série são indicados na placa de características.

- ▶ Registe o número de série na tabela seguinte. Os dados do produto são necessários para colocar questões ao nosso representante ou posto de serviço de atendimento aos clientes.

Dados do produto

Serra de sabre	WSR 36-A
Geração:	01
N.º de série:	

1.5 Declaração de conformidade

Declaramos sob nossa exclusiva responsabilidade que o produto aqui descrito está em conformidade com as directivas e normas em vigor. Na parte final desta documentação encontra uma reprodução do organismo de certificação.

As documentações técnicas estão aqui guardadas:

Hilti Entwicklungsgesellschaft mbH | Zulassung Geräte | Hiltistraße 6 | 86916 Kaufering, DE

2 Segurança

2.1 Normas de segurança gerais para ferramentas eléctricas

⚠ AVISO Leia todas as normas de segurança e instruções. O não cumprimento das normas de segurança e instruções pode resultar em choque eléctrico, incêndio e/ou lesões graves.

Guarde bem todas as normas de segurança e instruções para futura referência.



O termo "ferramenta eléctrica" utilizado nas normas de segurança refere-se a ferramentas com ligação à corrente eléctrica (com cabo de alimentação) ou ferramentas a bateria (sem cabo).

Segurança no posto de trabalho

- ▶ **Mantenha a sua área de trabalho limpa e bem iluminada.** Locais desarrumados ou mal iluminados podem ocasionar acidentes.
- ▶ **Não utilize a ferramenta eléctrica em ambientes explosivos ou na proximidade de líquidos ou gases inflamáveis.** Ferramentas eléctricas produzem faíscas que podem provocar a ignição de pó e vapores.
- ▶ **Mantenha crianças e terceiros afastados durante os trabalhos.** Distacções podem conduzir à perda de controlo sobre a ferramenta.

Segurança eléctrica

- ▶ **A ficha da ferramenta eléctrica deve servir na tomada. A ficha não deve ser modificada de modo algum. Não utilize quaisquer adaptadores com ferramentas eléctricas com ligação terra.** Fichas originais (não modificadas) e tomadas adequadas reduzem o risco de choque eléctrico.
- ▶ **Evite o contacto do corpo com superfícies ligadas à terra, como, por exemplo, canos, radiadores, fogões e frigoríficos.** Existe um risco elevado de choque eléctrico se o corpo estiver com ligação à terra.
- ▶ **As ferramentas eléctricas não devem ser expostas à chuva nem à humidade.** A infiltração de água numa ferramenta eléctrica aumenta o risco de choque eléctrico.
- ▶ **Não use o cabo para transportar, arrastar ou desligar a ferramenta eléctrica da tomada. Mantenha o cabo afastado de calor, óleo, arestas vivas ou partes em movimento da ferramenta.** Cabos danificados ou emaranhados aumentam o risco de choque eléctrico.
- ▶ **Quando operar uma ferramenta eléctrica ao ar livre, utilize apenas cabos de extensão próprios para utilização no exterior.** O uso de um cabo apropriado para espaços exteriores, reduz o risco de choques eléctricos.
- ▶ **Utilize um disjuntor diferencial se não puder ser evitada a utilização da ferramenta eléctrica em ambiente húmido.** A utilização de um disjuntor diferencial reduz o risco de choque eléctrico.

Segurança física

- ▶ **Esteja alerta, observe o que está a fazer, e tenha prudência ao trabalhar com uma ferramenta eléctrica. Se estiver cansado ou sob influência de drogas, álcool ou medicamentos não efectue nenhum trabalho com ferramentas eléctricas.** Um momento de distração ao operar a ferramenta eléctrica pode causar ferimentos graves.
- ▶ **Use equipamento de segurança. Use sempre óculos de protecção.** Equipamento de segurança, como, por exemplo, máscara antipoeiras, sapatos de segurança antiderrapantes, capacete de segurança ou protecção auricular, de acordo com o tipo e aplicação da ferramenta eléctrica, reduzem o risco de lesões.
- ▶ **Evite um arranque involuntário. Assegure-se de que a ferramenta eléctrica está desligada antes de a ligar à fonte de alimentação e/ou à bateria, pegar nela ou a transportar.** Transportar a ferramenta eléctrica com o dedo no interruptor ou ligar uma ferramenta à tomada com o interruptor ligado (ON) pode resultar em acidentes.
- ▶ **Remova quaisquer chaves de ajuste (chaves de fenda), antes de ligar a ferramenta eléctrica.** Um acessório ou chave deixado preso numa parte rotativa da ferramenta pode causar ferimentos.
- ▶ **Evite posturas corporais desfavoráveis. Mantenha sempre uma posição correcta, em perfeito equilíbrio.** Desta forma será mais fácil manter o controlo sobre a ferramenta eléctrica em situações inesperadas.
- ▶ **Use roupa apropriada. Não use roupa larga ou jóias. Mantenha o cabelo, vestuário e luvas afastados das peças móveis.** Roupas largas, jóias ou cabelos compridos podem ficar presos nas peças móveis.
- ▶ **Se poderem ser montados sistemas de remoção e de recolha de pó, assegure-se de que estes estão ligados e são utilizados correctamente.** A utilização de um sistema de remoção de pó pode reduzir os perigos relacionados com a exposição ao mesmo.

Utilização e manuseamento da ferramenta eléctrica

- ▶ **Não sobrecarregue a ferramenta. Use para o seu trabalho a ferramenta eléctrica correcta.** Com a ferramenta eléctrica adequada obterá maior eficiência e segurança se respeitar os seus limites.
- ▶ **Não utilize a ferramenta eléctrica se o interruptor estiver defeituoso.** Uma ferramenta eléctrica que já não possa ser accionada pelo interruptor é perigosa e deve ser reparada.
- ▶ **Retire a ficha da tomada e/ou remova a bateria antes de efectuar ajustes na ferramenta, substituir acessórios ou guardar a ferramenta eléctrica.** Esta medida preventiva evita o accionamento acidental da ferramenta eléctrica.



- ▶ **Guarde ferramentas eléctricas não utilizadas fora do alcance das crianças. Não permita que a ferramenta seja utilizada por pessoas não familiarizadas com a mesma ou que não tenham lido estas instruções.** Ferramentas eléctricas operadas por pessoas não treinadas são perigosas.
- ▶ **Faça uma manutenção regular das ferramentas eléctricas. Verifique se as partes móveis funcionam perfeitamente e não emperram ou se há peças quebradas ou danificadas que possam influenciar o funcionamento da ferramenta eléctrica. Peças danificadas devem ser reparadas antes da utilização da ferramenta.** Muitos acidentes são causados por ferramentas eléctricas com manutenção deficiente.
- ▶ **Mantenha as ferramentas de corte sempre afiadas e limpas.** Acessórios com gumes afiados tratados correctamente emperram menos e são mais fáceis de controlar.
- ▶ **Utilize a ferramenta eléctrica, acessórios, bits, etc., de acordo com estas instruções. Tome também em consideração as condições de trabalho e o trabalho a ser efectuado.** A utilização da ferramenta eléctrica para outros fins além dos previstos, pode ocasionar situações de perigo.

Utilização e manuseamento da ferramenta a bateria

- ▶ **Apenas deverá carregar as baterias em carregadores recomendados pelo fabricante.** Num carregador adequado para um determinado tipo de baterias existe perigo de incêndio se for utilizado para outras baterias.
- ▶ **Nas ferramentas eléctricas utilize apenas as baterias previstas.** A utilização de outras baterias pode causar ferimentos e riscos de incêndio.
- ▶ **Quando a bateria não estiver em uso, mantenha-a afastada de outros objectos de metal, como, por exemplo, cliques, moedas, chaves, pregos, parafusos, ou outros pequenos objectos metálicos que possam ligar em ponte os contactos.** Um curto-circuito entre os contactos da bateria pode causar queimaduras ou incêndio.
- ▶ **Utilizações inadequadas podem provocar derrame do líquido da bateria. Evite o contacto com este líquido. No caso de contacto acidental, enxágue imediatamente com água. Se o líquido entrar em contacto com os olhos, procure auxílio médico.** O líquido que escorre da bateria pode provocar irritações ou queimaduras da pele.

Manutenção

- ▶ **A sua ferramenta eléctrica só deve ser reparada por pessoal qualificado e só devem ser utilizadas peças sobressalentes originais.** Isto assegurará que a segurança da ferramenta se mantenha.

2.2 Normas de segurança para serras tico-tico/serras de sabre

- ▶ **Segure a ferramenta eléctrica apenas pelas áreas isoladas dos punhos, quando executar trabalhos em que o acessório possa encontrar cabos eléctricos encobertos.** O contacto com um cabo sob tensão também pode colocar partes metálicas da ferramenta sob tensão e causar um choque eléctrico.

2.3 Normas de segurança adicionais

Segurança física

- ▶ **Utilize grampos ou uma outra forma prática, para proteger a peça a trabalhar e a manter numa posição estável.** Segurar a peça a trabalhar com a mão ou com o corpo é instável e pode levar à perda do controlo.
- ▶ **Não é permitida a modificação ou manipulação da ferramenta.**
- ▶ **Use protecção auricular.** Ruído em excesso pode levar à perda de audição.
- ▶ **Se a ferramenta for utilizada sem o sistema de remoção de pó, é indispensável colocar uma máscara de protecção respiratória.**
- ▶ **Faça pausas durante o trabalho para relaxar os músculos e melhorar a circulação sanguínea nos dedos.**
- ▶ **Mantenha fixa a peça a trabalhar. Para maior segurança e porque assim fica com ambas as mãos livres para segurar a ferramenta, use grampos ou um torno para segurar a peça a trabalhar.**
- ▶ **A ferramenta não está concebida para pessoas debilitadas sem formação.**
- ▶ **Mantenha a ferramenta afastada das crianças.**
- ▶ **Ao efectuar a substituição de acessórios, calce luvas de protecção, pois estes aquecem durante a utilização e as arestas de corte da serra de sabre são afiadas.**
- ▶ **Ligue o produto apenas quando estiver na posição de trabalho.**
- ▶ **Nunca utilize a ferramenta sem o resguardo da mão devidamente colocado.**
- ▶ **Active o bloqueio de transporte quando guardar ou transportar a ferramenta.**
- ▶ **Evite arranques inadvertidos. Não transporte a ferramenta com o dedo no interruptor on/off. Quando não estiver a utilizar a ferramenta (por exemplo, durante um intervalo de trabalho, antes**



da manutenção, durante a troca de acessórios e durante o transporte), a bateria deve ser removida da ferramenta.

- ▶ **Respeite os requisitos nacionais de segurança no trabalho.**
- ▶ Pós de materiais, como tinta com chumbo, algumas madeiras, betão/alvenaria/rochas quartzíferas, minerais e metal podem ser nocivos. O contacto ou a inalação do pó podem provocar reacções alérgicas e/ou doenças das vias respiratórias no utilizador ou em pessoas que se encontrem nas proximidades. Determinados pós, como os de carvalho ou de faia, são considerados cancerígenos, especialmente em combinação com aditivos para o tratamento de madeiras (cromato, produtos para a preservação de madeiras). Material que contenha amianto só pode ser manuseado por pessoal especializado. **Se possível, utilize um aspirador de pó. Para alcançar um elevado grau de remoção de pó, utilize um aspirador móvel. Se necessário, utilize uma máscara de protecção respiratória adequada ao respectivo pó. Assegure-se de que o local de trabalho está bem ventilado. Respeite as regulamentações em vigor no seu país relativas aos materiais a trabalhar.**

Segurança eléctrica

- ▶ **Antes de iniciar os trabalhos, verifique o local de trabalho relativamente a cabos eléctricos encobertos, bem como tubos de gás e água, por ex., com um detector de metais.** Partes metálicas externas da ferramenta podem transformar-se em condutores de corrente se, por ex., uma linha eléctrica for danificada inadvertidamente. Isto representa um sério risco de choque eléctrico.

Normas de segurança especiais para serras de sabre

- ▶ **Durante o processo de trabalho, mantenha a ferramenta afastada do corpo.**
- ▶ **Nunca ponha as mãos na frente da lâmina nem toque na lâmina com as mãos.**
- ▶ **Nunca utilize a serra de sabre para serrar materiais desconhecidos e mantenha a área circundante à linha de corte livre de obstáculos.** Ao bater num objecto, a lâmina pode provocar um ressalto na ferramenta.
- ▶ **Ao utilizar um adaptador de corte de tubos (acessório), especialmente ao cortar tubos de grande diâmetro, aplique força moderada e selecione uma velocidade de corte apropriada.** Evita-se, assim, um sobreaquecimento da ferramenta .
- ▶ **Aviso! Antes de iniciar o corte de tubos, por exemplo no decurso de trabalhos de demolição ou instalação, verifique se estes não contêm líquidos (esvazie-os, se necessário). Ao cortar tubos mantenha a ferramenta num plano superior à linha de corte.** A ferramenta não possui qualquer protecção contra a entrada de humidade. A fuga de líquidos pode causar um curto-circuito na ferramenta.
- ▶ **Não ultrapasse os limites de funcionalidade da serra de sabre e use exclusivamente as lâminas indicadas (não use lâminas inapropriadas ou que não tenham encabadouro de 1/2").**

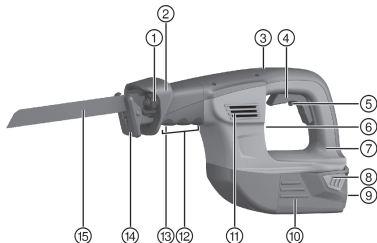
Utilização e manutenção cuidadosa de baterias

- ▶ **Observe as regras específicas sobre transporte, armazenamento e utilização de baterias de iões de lítio.**
- ▶ **Mantenha as baterias afastadas de temperaturas elevadas e do fogo.** Existe risco de explosão.
- ▶ **Evite a entrada de humidade.** A humidade infiltrada pode provocar um curto-circuito e originar queimaduras ou um incêndio.
- ▶ **As baterias não podem ser desmanteladas, esmagadas, aquecidas acima dos 80 °C (176 °F) ou incineradas.** Caso contrário, existe risco de incêndio, explosão e queimaduras/corrosão.
- ▶ **Baterias danificadas (por ex., com fissuras, peças partidas, contactos dobrados, empurrados para trás e/ou puxados para fora) não podem ser carregadas nem continuar a ser utilizadas.**
- ▶ **Não utilize as baterias como fonte de energia para outros consumidores não especificados.**
- ▶ **Se a bateria estiver demasiado quente ao toque, poderá estar com defeito. Coloque a ferramenta num local que não constitua risco de incêndio, suficientemente afastado de materiais combustíveis, onde possa ser vigiada e deixe-a arrefecer. Contacte o Centro de Assistência Técnica Hilti depois de a bateria ter arrefecido.**



3 Descrição

3.1 Vista geral do produto



- ① Bloqueio da ferramenta/porta-ferramentas
- ② Guarda-mão com capa do bloqueio da ferramenta/porta-ferramentas
- ③ Regulador de velocidades
- ④ Interruptor on/off
- ⑤ Bloqueio de transporte
- ⑥ Placa de características
- ⑦ Punho
- ⑧ Botão de destravamento da bateria
- ⑨ Indicador do estado de carga da bateria
- ⑩ Bateria
- ⑪ Saídas de ar
- ⑫ Área frontal do punho (guarda-mão)
- ⑬ Patilha de aperto da base de suporte
- ⑭ Base de suporte
- ⑮ Lâmina de serra

3.2 Utilização correcta

O produto descrito é uma serra de sabre a bateria. Foi concebida para cortar madeira, derivados de madeira, metais e plástico.

O produto foi concebido para uma utilização com ambas as mãos.

- ▶ Para este produto, utilize apenas as baterias de iões de lítio **Hilti** da série B 36.
- ▶ Para estas baterias, utilize apenas os carregadores **Hilti** da série C4/36.

3.3 Possível uso incorrecto

- ▶ Nunca corte tijolos, betão, betão poroso, pedra natural ou azulejos.
- ▶ Não utilize o produto para cortar tubos que ainda contenham líquidos.
- ▶ Não utilize a serra de sabre para serrar materiais desconhecidos.

3.4 Indicador da bateria de iões de lítio

O estado da carga da bateria de iões de lítio e as avarias da ferramenta são sinalizados através da indicação da bateria de iões de lítio. O estado de carga da bateria de iões de lítio é exibido depois de pressionado um dos dois botões de destravamento da bateria.

Estado	Significado
4 LEDs acendem.	Estado de carga: 75% a 100%
3 LEDs acendem.	Estado de carga: 50% a 75%
2 LEDs acendem.	Estado de carga: 25% a 50%
1 LED acende.	Estado de carga: 10% a 25%
1 LED pisca.	Estado de carga: < 10%



Estado	Significado
1 LED pisca, o aparelho não está pronto a funcionar.	A bateria sobreaqueceu ou está totalmente descarregada.
4 LEDs piscam, o aparelho não está pronto a funcionar.	A ferramenta está sobrecarregada ou sobreaquecida.



Com o interruptor on/off pressionado e até 5 segundos depois de o soltar, não é possível consultar o estado de carga. Se os LEDs da indicação da bateria estiverem a piscar, leia as indicações no capítulo Ajuda em caso de avarias.

3.5 Incluído no fornecimento.

Serra de sabre, lâmina de serra, Manual de instruções.



Para um funcionamento seguro, utilize apenas peças sobresselentes e consumíveis originais. Poderá encontrar as peças sobresselentes, consumíveis e acessórios aprovados por nós para o seu produto no seu Centro de Assistência **Hilti** ou em: www.hilti.com

3.6 Velocidades

Material trabalhado	Velocidade recomendada
Madeira	5-6
Madeira com pregos	5-6
Acabamento de interiores, drywall	3-4
Plástico	3-4
Aço	2-3
Metais não-ferrosos	2-3
Metais leves	2-3
Aço inoxidável	1

4 Características técnicas

4.1 Serra de sabre

	WSR 36-A
Tensão nominal	36 V
Peso	9,63 lb (4,37 kg)
Número de cursos	0 rpm ... 2 850 rpm
Comprimento do curso	1,3 in (32 mm)
Porta-ferramentas Sistema sem chave para lâminas standard	1/2 in

5 Utilização

5.1 Procedimentos de segurança 2



CUIDADO

Risco de ferimentos devido a arranque involuntário!

- ▶ Antes de encaixar a bateria, certifique-se de que o produto correspondente está desligado.
- ▶ Remova a bateria, antes de efectuar ajustes na ferramenta ou substituir acessórios.



 **AVISO**

Risco de ferimentos Perigo de coice.

- ▶ Utilize sempre lâminas de serra cujo comprimento permita que, durante o seu curso, a lâmina se projecte sempre pelo menos 40 mm (1 1/2") para além da peça a ser trabalhada.

 **AVISO**

Risco de ferimentos devido ao bloqueio da ferramenta/porta-ferramentas

- ▶ Segure a ferramenta sempre com as duas mãos nos punhos previstos para o efeito. Nunca utilize a ferramenta sem o guarda-mão devidamente funcional.

 **AVISO**

Risco de ferimentos através do bloqueio da ferramenta / porta-ferramentas

- ▶ A capa do bloqueio da lâmina / porta-ferramentas não pode ser utilizada como punho.



A ferramenta deve ser pressionada, com a base de suporte, contra a peça a trabalhar. Isto garante um funcionamento eficiente e seguro.

- ▶ Tenha em atenção todas as normas de segurança nesta documentação e na ferramenta.

5.2 Retirar a bateria 3

1. Pressione ambos os botões de destravamento e mantenha-os pressionados.
2. Retire a bateria do produto, puxando-a para trás.

5.3 Colocar a lâmina de serra 4



Utilize apenas lâminas com encabadouro de 1/2".

1. Active o bloqueio de transporte.
2. Verifique se o encabadouro do acessório está limpo e ligeiramente lubrificado. Caso necessário, limpe e lubrifique o encabadouro.
3. Rode o casquilho de bloqueio do porta-ferramentas, no sentido contrário ao dos ponteiros do relógio, e segure-o nesta posição.
4. Introduza a lâmina no porta-ferramentas.
5. Liberte o casquilho de bloqueio e deixe-o deslizar para trás até que encaixe de forma audível.
6. Verifique se a lâmina está encaixada, puxando-a.

5.4 Retirar a lâmina de serra 5

1. Active o bloqueio de transporte.
2. Rode o casquilho de bloqueio do porta-ferramentas, no sentido contrário ao dos ponteiros do relógio, e segure-o nesta posição.
3. Retire a lâmina do porta-ferramentas, puxando-a para a frente.
4. Liberte o casquilho de bloqueio.

5.5 Ajustar a base de suporte 6



A base de suporte pode ser ajustada para, por um lado, otimizar a utilização do comprimento da lâmina e, por outro lado, melhorar a acessibilidade a cantos. A base de suporte engata em intervalos de 6 mm (15/64").

Não ajuste a base de suporte durante o funcionamento.

1. Active o bloqueio de transporte.
2. Retire a lâmina.
3. Pressione a patilha de aperto para ajustar a base de suporte e mantenha-a nesta posição.
4. Empurre a base de suporte para a posição desejada.



5. Liberte a patilha de aperto para ajustar a base de suporte.
6. Verifique se a base de suporte está engatada, puxando-a.

5.6 Regular a velocidade



É favor consultar a velocidade recomendada na tabela de aplicação.

1. Rode o regulador de velocidade e ajuste a velocidade entre 1 (pequena) e 6 (grande).
2. Pressione o interruptor on/off.



A ferramenta funcionará à velocidade seleccionada.

5.7 Adaptador de corte de tubos (acessório)

1. Active o bloqueio de transporte.
2. Retire a lâmina.
3. Pressione a patilha de aperto para ajustar a base de suporte e mantenha-a nesta posição.
4. Remova a base de suporte da ferramenta, puxando-a para a frente.
5. Introduza o adaptador de corte de tubos na ferramenta até à posição desejada.
6. Liberte a patilha de aperto para ajustar a base de suporte.
7. Verifique se o adaptador de corte de tubos está engatado, puxando-o.
8. Desaperte completamente o parafuso no adaptador de corte de tubos.
9. Coloque a corrente do adaptador em torno do tubo e engate-a no adaptador.



Entre a ferramenta e o parafuso de aperto deve existir um ângulo de 45°.

10. Aperte o parafuso.

5.8 Colocar a bateria

CUIDADO

Perigo de curto-circuito !

- ▶ Antes de encaixar a bateria, certifique-se de que os contactos da bateria e os contactos no produto estão livres de corpos estranhos.

AVISO

Risco de ferimentos Perigo devido a bateria mal encaixada.

- ▶ Uma bateria mal encaixada pode cair e causar acidentes. Verifique se a bateria está correctamente encaixada na serra de sabre.
- ▶ Introduza a bateria no produto a partir de trás, até engatar no encosto com clique duplo audível.

5.9 Ligar

1. Desactive o bloqueio de transporte.
2. Pressione o interruptor on/off.

5.10 Desligar

AVISO

Risco de ferimentos devido a serra ainda em movimento !

- ▶ Levante o produto da peça a trabalhar somente quando a lâmina estiver parada.
- ▶ Aguarde até que o produto esteja parado, antes de o posar.

1. Solte o interruptor on/off.
2. Active o bloqueio de transporte.




5.11 Corte por afundamento


AVISO

Risco de ferimentos Perigo de coice.

- ▶ Ao efectuar cortes por afundamento, proteja a área para trás. Use apenas lâminas de corte adequadas (o mais curtas possível).

 O corte por afundamento só deve ser usado em materiais macios e com lâminas de serra curtas. Pode utilizar o produto em duas posições de corte por afundamento diferentes: na posição normal ou na posição inversa.

1. Segure o produto com a extremidade frontal da base de suporte AVR contra a peça a trabalhar.
2. Accione o bloqueio de transporte.
3. Pressione o interruptor on/off.
4. Pressione firmemente o produto contra a peça a trabalhar e inicie o movimento de afundamento reduzindo o ângulo de incidência (base de suporte) em relação ao material base.

 Certifique-se de que o produto está a trabalhar antes de colocar a lâmina em contacto com o material base. Caso contrário, o produto pode bloquear.

5. Assim que a lâmina tenha atravessado a peça a cortar, coloque novamente o produto na posição de trabalho normal (com a base de suporte totalmente em contacto) e continue a serrar, seguindo a linha de corte.

6 Conservação e manutenção de ferramentas de baterias recarregáveis

AVISO

Risco de lesão com a bateria encaixada !

- ▶ Retire sempre a bateria antes de todos os trabalhos de conservação e manutenção!

Conservação da ferramenta

- Remover a sujidade persistente com cuidado.
- Limpe as saídas de ar cuidadosamente com uma escova seca.
- Limpar a carcaça apenas com um pano ligeiramente humedecido. Não utilizar produtos de conservação que contenham silicone, uma vez que estes poderiam danificar os componentes de plástico.

Conservação das baterias de íões de lítio

- Manter a bateria limpa e isenta de óleo e gordura.
- Limpar a carcaça apenas com um pano ligeiramente humedecido. Não utilizar produtos de conservação que contenham silicone, uma vez que estes poderiam danificar os componentes de plástico.
- Evitar a entrada de humidade.

Manutenção

- Verificar, regularmente, todos os componentes visíveis quanto a danos e os comandos operativos quanto a funcionamento perfeito.
- Em caso de danos e/ou perturbações de funcionamento, não operar a ferramenta com bateria. Mandar reparar de imediato pelo Centro de Assistência Técnica **Hilti**.
- Após os trabalhos de conservação e manutenção, aplicar todos os dispositivos de protecção e verificar o respectivo funcionamento.

6.1 Verificação após trabalhos de conservação e manutenção

- ▶ Após trabalhos de conservação e manutenção, verifique se todos os dispositivos de protecção estão encaixados e se funcionam em perfeitas condições.



7 Transporte e armazenamento de ferramentas de baterias recarregáveis

Transporte

CUIDADO

Arranque inadvertido durante o transporte !

- ▶ Transporte os seus produtos sempre sem as baterias colocadas!
- ▶ Retirar as baterias.
- ▶ Nunca transportar as baterias em embalagem solta.
- ▶ Após transporte prolongado, verificar a ferramenta e as baterias quanto a danos, antes da utilização.

Armazenamento

CUIDADO

Dano acidental devido a baterias com defeito ou a perderem líquido !

- ▶ Armazene os seus produtos sempre sem as baterias colocadas!
- ▶ Armazenar a ferramenta e as baterias em local o mais fresco e seco possível.
- ▶ Nunca armazenar as baterias em locais onde fiquem sujeitas à exposição solar, em cima de radiadores ou por trás de um vidro.
- ▶ Armazenar a ferramenta e as baterias fora do alcance de crianças e pessoas não autorizadas.
- ▶ Após armazenamento prolongado, verificar a ferramenta e as baterias quanto a danos, antes da utilização.

8 Ajuda em caso de avarias

No caso de avarias que não sejam mencionadas nesta tabela ou se não conseguir resolvê-las por si mesmo, contacte o nosso Centro de Assistência Técnica **Hilti**.

8.1 A serra de sabre não está pronta a funcionar


Avaria	Causa possível	Solução
Os LEDs não indicam nada.	A bateria não está completamente encaixada.	▶ Encaixe a bateria com um duplo clique.
	A bateria está descarregada.	▶ Carregue a bateria.
	Bloqueio de transporte não accionado.	▶ Accione o bloqueio de transporte.
Pisca 1 LED.	Bateria descarregada.	▶ Substitua a bateria e carregue a bateria descarregada.
	Bateria demasiado quente ou demasiado fria.	▶ Deixe que a bateria atinja a temperatura de funcionamento recomendada.

8.2 A serra de sabre está pronta a funcionar

Avaria	Causa possível	Solução
Frac performance da ferramenta.	O interruptor on/off não foi totalmente pressionado.	▶ Pressione completamente o interruptor on/off.
	Bateria descarregada.	▶ Substitua a bateria e carregue a bateria descarregada.
	Foi seleccionada uma velocidade demasiado baixa.	▶ Ajustar o regulador de velocidade de acordo com o valor recomendado para o material a ser trabalhado.
É impossível remover a lâmina de serra do porta-ferramentas.	O casquilho de bloqueio não foi rodado até ao batente.	▶ Rode o casquilho de bloqueio até ao batente e retire a lâmina de serra.



9 Reciclagem

 As ferramentas **Hilti** são, em grande parte, fabricadas com materiais recicláveis. Um pré-requisito para a reciclagem é que esses materiais sejam devidamente separados. Em muitos países, a **Hilti** aceita a sua ferramenta usada para reutilização. Para mais informações dirija-se ao Serviço de Clientes **Hilti** ou ao seu vendedor.

Remover baterias

Uma reciclagem incorrecta de baterias pode representar perigo para a saúde devido à fuga de gases ou líquidos.

- ▶ Não envie quaisquer baterias danificadas!
- ▶ Para evitar curto-circuitos, cubra as conexões com um material não condutor.
- ▶ Elimine as baterias de modo a mantê-las longe do alcance das crianças.
- ▶ Efectue a reciclagem da bateria na sua **Hilti Store** ou entre em contacto com a empresa de recolha de lixo responsável.



- ▶ Não deite as ferramentas eléctricas, aparelhos electrónicos e baterias no lixo doméstico!
-

10 Garantia do fabricante

- ▶ Em caso de dúvidas quanto às condições de garantia, contacte o seu parceiro **Hilti** local.



This Product is Certified
Ce produit est homologué
Producto homologado por
Este producto está registrado





Hilti Corporation
LI-9494 Schaan
Tel.:+423 234 21 11
Fax:+423 234 29 65
www.hilti.com



214008