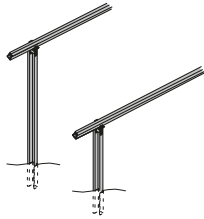
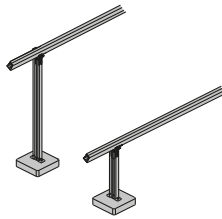


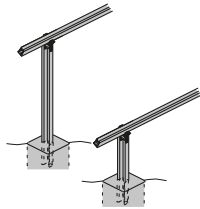
a) Solar Table Rammed System



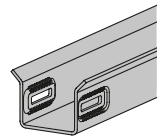
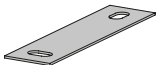
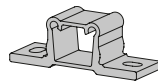
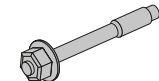
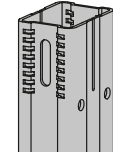
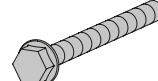
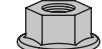
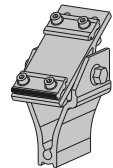
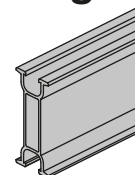
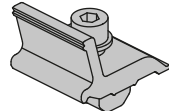
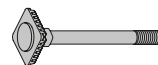
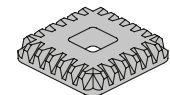
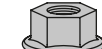
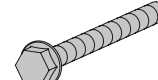
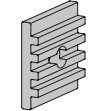
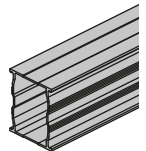
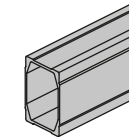
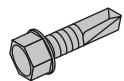
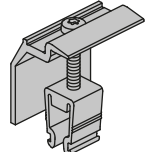
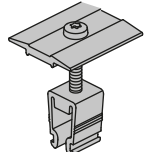
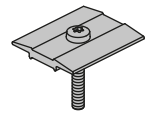

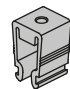
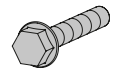
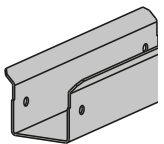
b) Solar Table Concrete System



c) Solar Table Cast-in System



Parts List

1	2	3	4	5	6	7	8
							
MSP-HDG-RP	MSP-AL-BPI	MSP-AL-BP	e.g. HST-R M12 e.g. HST-R M16	MSP-AL-SP	M12x100 A4-70	M12 A4-70	MSP-SPT2-LCC
9	10	11	12	13	14	15	16
							
MSP-SPT-CS	MSP-SPT-WF	MSP-HDG M12x130	MSP-HDG-TP	M12 HDG	M12x130 A4-70	MSP-AL-TP	MSP-SPT-LC
17	18	19	20	21	22	23	24
							
MSP-SPT-LS	S-MD03S 5.5x26	MSP-EC-C	MSP-MC-C	MSP-MC-UP	MSP-MC/EC-SP	MSP-MC/EC-CL	M12x110 A4-70
25							
							
MSP-HDG-CI MSP-HDG-CIH							

Panel configuration

Landscape (L)

Portrait (P)

