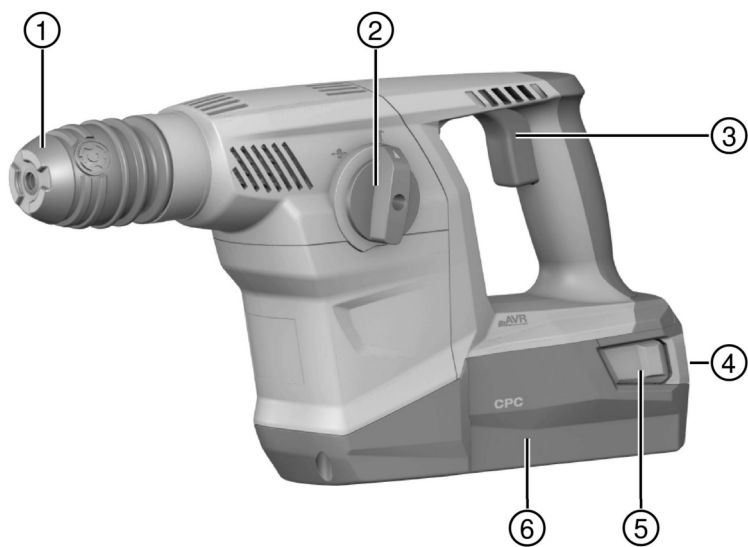


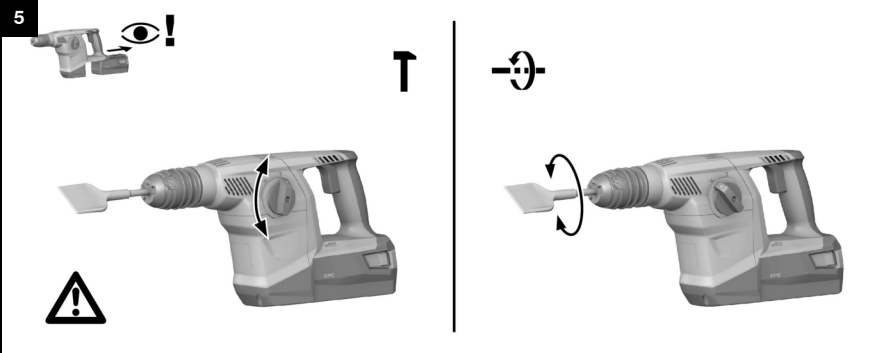
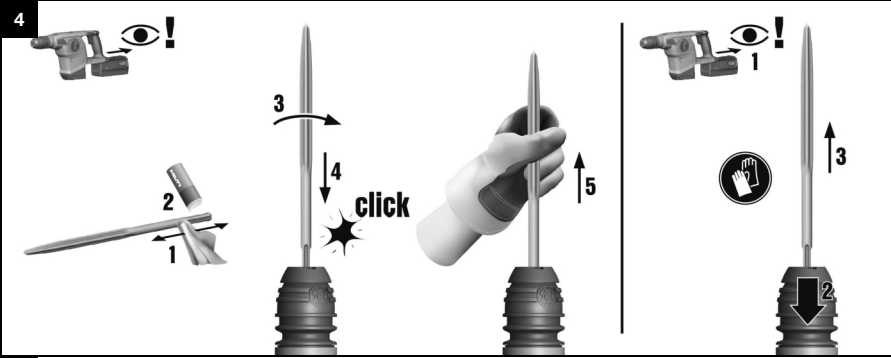
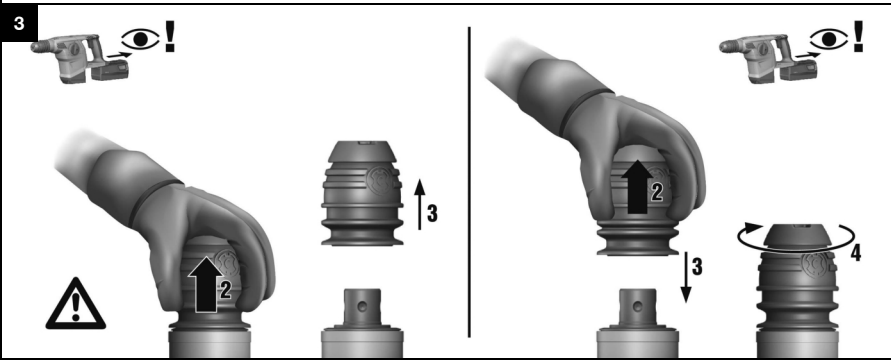
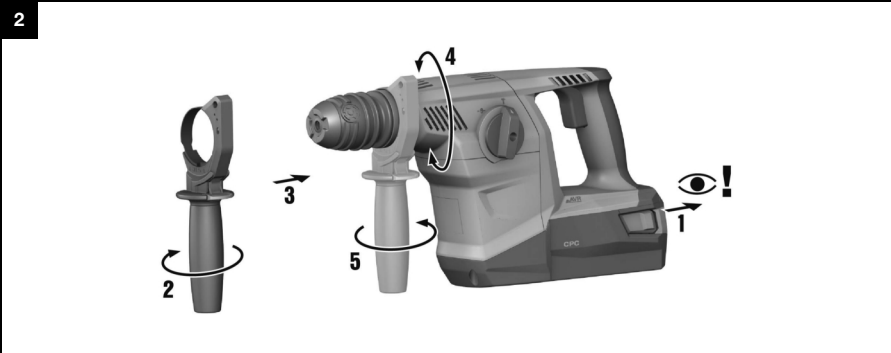


TE 300-A36 (03)

English
עברית

1
11





TE 300-A36

| | | |
|----|---------------------------------------|----|
| en | Original operating instructions | 1 |
| he | הוראות הפעלה מקוריות | 11 |

Original operating instructions

1 Information about the operating instructions

1.1 About these operating instructions

- **Warning!** Read and understand all accompanying documentation, including but not limited to instructions, safety warnings, illustrations, and specifications provided with this product. Familiarize yourself with all the instructions, safety warnings, illustrations, specifications, components, and functions of the product before use. Failure to do so may result in electric shock, fire, and/or serious injury. Save all warnings and instructions for future reference.
- products are designed for professional users and only trained, authorized personnel are permitted to operate, service and maintain the products. This personnel must be specifically informed about the possible hazards. The product and its ancillary equipment can present hazards if used incorrectly by untrained personnel or if used not in accordance with the intended use.
- The accompanying documentation corresponds to the current state of the art at the time of printing. Please always check for the latest version on the product's page on Hilti's website. To do this, follow the link or scan the QR code in this documentation, marked with the symbol .
- Ensure that these operating instructions are with the product when it is given to other persons.

1.2 Explanation of symbols

1.2.1 Warnings

Warnings alert persons to hazards that occur when handling or using the product. The following signal words are used:

DANGER

DANGER !

- ▶ Draws attention to imminent danger that will lead to serious personal injury or fatality.

WARNING

WARNING !

- ▶ Draws attention to a potential threat of danger that can lead to serious injury or fatality.

CAUTION

CAUTION !

- ▶ Draws attention to a potentially dangerous situation that could lead to personal injury or damage to the equipment or other property.

1.2.2 Symbols in the operating instructions

The following symbols are used in these operating instructions:

| | |
|--|---|
| | Comply with the operating instructions |
| | Instructions for use and other useful information |
| | Dealing with recyclable materials |
| | Do not dispose of electric equipment and batteries as household waste |
| | Hilti Li-ion battery |
| | Hilti charger |

1.2.3 Symbols in illustrations

The following symbols are used in illustrations:

- 2** These numbers refer to the illustrations at the beginning of these operating instructions.



| | |
|---|--|
| 3 | The numbers in illustrations refer to important work steps or to components important for the work steps. In the text, the corresponding numbers draw attention to these work steps or components, e.g. (3). |
| | Item reference numbers are used in the overview illustration and refer to the numbers used in the key in the product overview section. |
| | This symbol is intended to draw your special attention to certain points for handling the product. |

1.3 Product-dependent symbols

1.3.1 Symbols on the product

The following symbols are used on the product:

| | |
|--------|---|
| | Chiseling |
| | Chisel positioning |
| | Diameter |
| n_0 | Rated speed under no load |
| /min | Revolutions per minute |
| | Direct current (DC) |
| Li-Ion | Li-ion battery |
| | Hilti Li-ion battery type series used. Observe the information given in the section headed Intended use . |
| | The product supports wireless data transmission compatible with iOS and Android platforms. |
| | Never use the battery as a striking tool. |
| | Do not drop the battery. Never use a battery that has suffered an impact or is damaged in any other way. |

2 Safety

2.1 General power tool safety warnings

⚠ WARNING Read all safety warnings, instructions, illustrations and specifications provided with this power tool. Failure to follow all instructions listed below may result in electric shock, fire and/or serious injury. **Save all warnings and instructions for future reference.**

The term "power tool" in the warnings refers to your mains-operated (corded) power tool or battery-operated (cordless) power tool.

Work area safety

- ▶ **Keep work area clean and well lit.** Cluttered or dark areas invite accidents.
- ▶ **Do not operate power tools in explosive atmospheres, such as in the presence of flammable liquids, gases or dust.** Power tools create sparks which may ignite the dust or fumes.
- ▶ **Keep children and bystanders away while operating a power tool.** Distractions can cause you to lose control.

Electrical safety

- ▶ **Power tool plugs must match the outlet. Never modify the plug in any way. Do not use any adapter plugs with earthed (grounded) power tools.** Unmodified plugs and matching outlets will reduce risk of electric shock.
- ▶ **Avoid body contact with earthed or grounded surfaces, such as pipes, radiators, ranges and refrigerators.** There is an increased risk of electric shock if your body is earthed or grounded.
- ▶ **Do not expose power tools to rain or wet conditions.** Water entering a power tool will increase the risk of electric shock.



- ▶ **Do not abuse the cord. Never use the cord for carrying, pulling or unplugging the power tool. Keep cord away from heat, oil, sharp edges or moving parts.** Damaged or entangled cords increase the risk of electric shock.
- ▶ **When operating a power tool outdoors, use an extension cord suitable for outdoor use.** Use of a cord suitable for outdoor use reduces the risk of electric shock.
- ▶ **If operating a power tool in a damp location is unavoidable, use a residual current device (RCD) protected supply.** Use of an RCD reduces the risk of electric shock.

Personal safety

- ▶ **Stay alert, watch what you are doing and use common sense when operating a power tool. Do not use a power tool while you are tired or under the influence of drugs, alcohol or medication.** A moment of inattention while operating power tools may result in serious personal injury.
- ▶ **Use personal protective equipment. Always wear eye protection.** Protective equipment such as a dust mask, non-skid safety shoes, hard hat or hearing protection used for appropriate conditions will reduce personal injuries.
- ▶ **Prevent unintentional starting. Ensure the switch is in the off-position before connecting to power source and/or battery pack, picking up or carrying the tool.** Carrying power tools with your finger on the switch or energising power tools that have the switch on invites accidents.
- ▶ **Remove any adjusting key or wrench before turning the power tool on.** A wrench or a key left attached to a rotating part of the power tool may result in personal injury.
- ▶ **Do not overreach. Keep proper footing and balance at all times.** This enables better control of the power tool in unexpected situations.
- ▶ **Dress properly. Do not wear loose clothing or jewellery. Keep your hair and clothing away from moving parts.** Loose clothes, jewellery or long hair can be caught in moving parts.
- ▶ **If devices are provided for the connection of dust extraction and collection facilities, ensure these are connected and properly used.** Use of dust collection can reduce dust-related hazards.
- ▶ **Do not let familiarity gained from frequent use of tools allow you to become complacent and ignore tool safety principles.** A careless action can cause severe injury within a fraction of a second.

Power tool use and care

- ▶ **Do not force the power tool. Use the correct power tool for your application.** The correct power tool will do the job better and safer at the rate for which it was designed.
- ▶ **Do not use the power tool if the switch does not turn it on and off.** Any power tool that cannot be controlled with the switch is dangerous and must be repaired.
- ▶ **Disconnect the plug from the power source and/or remove the battery pack, if detachable, from the power tool before making any adjustments, changing accessories, or storing power tools.** Such preventive safety measures reduce the risk of starting the power tool accidentally.
- ▶ **Store idle power tools out of the reach of children and do not allow persons unfamiliar with the power tool or these instructions to operate the power tool.** Power tools are dangerous in the hands of untrained users.
- ▶ **Maintain power tools and accessories. Check for misalignment or binding of moving parts, breakage of parts and any other condition that may affect the power tool's operation. If damaged, have the power tool repaired before use.** Many accidents are caused by poorly maintained power tools.
- ▶ **Keep cutting tools sharp and clean.** Properly maintained cutting tools with sharp cutting edges are less likely to bind and are easier to control.
- ▶ **Use the power tool, accessories and tool bits etc. in accordance with these instructions, taking into account the working conditions and the work to be performed.** Use of the power tool for operations different from those intended could result in a hazardous situation.
- ▶ **Keep handles and grasping surfaces dry, clean and free from oil and grease.** Slippery handles and grasping surfaces do not allow for safe handling and control of the tool in unexpected situations.

Battery tool use and care

- ▶ **Recharge only with the charger specified by the manufacturer.** A charger that is suitable for one type of battery pack may create a risk of fire when used with another battery pack.
- ▶ **Use power tools only with specifically designated battery packs.** Use of any other battery packs may create a risk of injury and fire.
- ▶ **When battery pack is not in use, keep it away from other metal objects, like paper clips, coins, keys, nails, screws or other small metal objects, that can make a connection from one terminal to another.** Shorting the battery terminals together may cause burns or a fire.



- ▶ **Under abusive conditions, liquid may be ejected from the battery; avoid contact. If contact accidentally occurs, flush with water. If liquid contacts eyes, additionally seek medical help.** Liquid ejected from the battery may cause irritation or burns.
- ▶ **Do not use a battery pack or tool that is damaged or modified.** Damaged or modified batteries may exhibit unpredictable behaviour resulting in fire, explosion or risk of injury.
- ▶ **Do not expose a battery pack or tool to fire or excessive temperature.** Exposure to fire or temperature above 130° C (265 °F) may cause explosion.
- ▶ **Follow all charging instructions and do not charge the battery pack or tool outside the temperature range specified in the instructions.** Charging improperly or at temperatures outside the specified range may damage the battery and increase the risk of fire.

Service

- ▶ **Have your power tool serviced by a qualified repair person using only identical replacement parts.** This will ensure that the safety of the power tool is maintained.
- ▶ **Never service damaged battery packs.** Service of battery packs should only be performed by the manufacturer or authorized service providers.

2.2 Hammer safety warnings

Safety instructions for all operations

- ▶ **Wear ear protectors.** Exposure to noise can cause hearing loss.
- ▶ **Use auxiliary handle(s), if supplied with the tool.** Loss of control can cause personal injury.
- ▶ **Hold the power tool by insulated gripping surfaces, when performing an operation where the cutting accessory may contact hidden wiring.** Cutting accessory contacting a "live" wire may make exposed metal parts of the power tool "live" and could give the operator an electric shock.

2.3 Additional safety instructions for breakers

Personal safety

- ▶ Use the product and accessories only when they are in perfect working order.
- ▶ Never tamper with or modify the product or accessories in any way.
- ▶ When chiseling into ceilings, walls and floors, always make sure that you have a safe and firm stance. A sudden break-through can affect your balance!
- ▶ Apply appropriate safety measures at the opposite side of the workpiece in work that involves breaking through. Parts breaking away could fall out and / or fall down causing injury to other persons.
- ▶ You and any other persons in the vicinity must wear suitable eye protection, a hard hat, ear protection, protective gloves and respiratory protection while the tool is in use.
- ▶ Wear protective gloves when changing the accessory tool. Touching the accessory tool can result in cuts and burns.
- ▶ Wear eye protection. Flying fragments present a risk of injury to the body and eyes.
- ▶ Dust produced by grinding, sanding, cutting and drilling can contain dangerous chemicals. Some examples are: lead or lead-based paints; brick, concrete and other masonry products, natural stone and other products containing silicates; certain types of wood, such as oak, beech and chemically treated wood; asbestos or materials that contain asbestos. Determine the exposure of the operator and bystanders by means of the hazard classification of the materials to be worked. Implement the necessary measures to restrict exposure to a safe level, for example by the use of a dust collection system or by the wearing of suitable respiratory protection. The general measures for reducing exposure include:
 - ▶ working in an area that is well ventilated,
 - ▶ avoidance of prolonged contact with dust,
 - ▶ directing dust away from the face and body,
 - ▶ wearing protective clothing and washing exposed areas of the skin with water and soap.
- ▶ Take frequent breaks and do physical exercises to improve the blood circulation in your fingers. High vibration during long periods of work can lead to disorders of the blood vessels and nervous system in the fingers, hands and wrists.

Electrical safety

- ▶ Before beginning work, check the working area for concealed electric cables or gas and water pipes. External metal parts of the product could give you an electric shock or cause an explosion if you accidentally damage an electric cable or a gas or water pipe.

Power tool use and care

- ▶ Switch the product on only after you have brought it to the working position.
- ▶ Wait until the product has come to a complete stop before you lay it down.

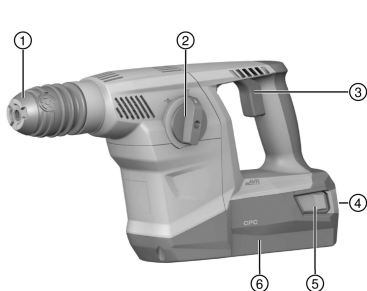


2.4 Careful handling and use of batteries

- ▶ Observe the special guidelines applicable to the transport, storage and use of lithium-ion batteries.
- ▶ Do not expose batteries to high temperatures, direct sunlight or fire.
- ▶ Do not disassemble, crush or incinerate batteries and do not subject them to temperatures over 80 °C (176 °F).
- ▶ Do not use or charge batteries that have suffered mechanical impact, have been dropped from a height or show signs of damage. In this case, always contact your **Hilti Service**.
- ▶ If the battery is too hot to touch it may be defective. Put the battery in a place where it is clearly visible and where there is no risk of fire, at an adequate distance from flammable materials. Allow the battery to cool down. If it is still too hot to touch after an hour, the battery is faulty. Contact **Hilti Service**.

3 Description

3.1 Overview of the product



- ① Chuck
- ② Function selector switch
- ③ Control switch
- ④ Battery state of charge / fault display
- ⑤ Release buttons / battery state of charge display
- ⑥ Battery

3.2 Intended use

The product described is a cordless (battery-powered) breaker with pneumatic hammering mechanism. The product designed for light to medium chiseling work on masonry and surface finishing work on concrete.

- ▶ Use only **Hilti** Li-ion batteries from the B 36 series with this product.
- ▶ Use only the **Hilti** battery chargers from the C4/36 series for these batteries.

3.3 Possible misuse

- This product is not suitable for working on hazardous materials.
- This product is not suitable for working in a damp environment.
- Do not use the product where there is a risk of fire or explosion.

3.4 Lithium-ion battery status display

The Li-ion battery state of charge and malfunctions of the power tool are indicated by the display on the Li-ion battery. The Li-ion battery state of charge is displayed after pressing one of the two battery release buttons.

| Status | Meaning |
|--|---|
| 4 LEDs light. | State of charge: 75 % to 100 % |
| 3 LEDs light. | State of charge: 50 % to 75 % |
| 2 LEDs light. | State of charge: 25 % to 50 % |
| 1 LED lights. | State of charge: 10 % to 25 % |
| 1 LED blinks. | State of charge: < 10 % |
| 1 LED flashes, the power tool is not in working order. | The battery has overheated or is completely discharged. |
| 4 LEDs flash, the power tool is not in working order. | The power tool is overloaded or has overheated. |



i Battery state of charge cannot be displayed while the control switch is pressed and for up to 5 seconds after releasing the control switch.

If the battery display LEDs blink, please observe the instructions given in the Troubleshooting section.

3.5 Items supplied

Breaker, side handle, operating instructions.

Other system products approved for use with this product can be found at your local **Hilti Store** or online at: www.hilti.group | USA: www.hilti.com.

4 Technical data

4.1 Product data

| | TE 300-A36 |
|---|-------------------|
| Product generation | 03 |
| Rated voltage | 36 V |
| Weight in accordance with EPTA procedure 01, measured with B36/5.2 | 4.9 kg |

4.2 Noise information and vibration values

The sound pressure and vibration values given in these instructions were measured in accordance with a standardized test and can be used to compare one power tool with another. They can also be used for a preliminary assessment of exposure.

The data given represent the main applications of the power tool. However, if the power tool is used for different applications, with different accessory tools, or is poorly maintained, the data can vary. This can significantly increase exposure over the total working period.

An accurate estimation of exposure should also take into account the times when the power tool is switched off, or when it is running but not actually being used for a job. This can significantly reduce exposure over the total working period.

Identify additional safety measures to protect the operator from the effects of noise and/or vibration, for example: maintaining the power tool and accessory tools, keeping the hands warm, organization of work patterns.

i Detailed information on the versions of the **EN 62841** standards applied here is to be found in the reproduction of the declaration of conformity 21.

Noise information

| | TE 300-A36 |
|---|-------------------|
| Sound power level (L_{WA}) | 102 dB |
| Uncertainty (K_{WA}) | 3 dB(A) |
| Sound pressure level (L_{pA}) | 94 dB |
| Uncertainty (K_{pA}) | 3 dB(A) |

Vibration information

| | | |
|--|------------------------|----------------------|
| Chiseling (a_h, C_{req}) | B 36/5.2 Li-Ion | 8.5 m/s ² |
| | B 36/9.0 Li-Ion | 7.7 m/s ² |

4.3 Battery

| | |
|--|------------------|
| Battery operating voltage | 36 V |
| Ambient temperature for operation | -17 °C ... 60 °C |
| Storage temperature | -20 °C ... 40 °C |
| Battery charging starting temperature | -10 °C ... 45 °C |



5 Preparations at the workplace

WARNING

Risk of injury by inadvertent starting!

- ▶ Before inserting the battery, make sure that the product is switched off.
- ▶ Remove the battery before making any adjustments to the power tool or before changing accessories.

Observe the safety instructions and warnings in this documentation and on the product.

5.1 Charging the battery

1. Before charging the battery, read the operating instructions for the charger.
2. Make sure that the contacts on the battery and the contacts on the charger are clean and dry.
3. Use an approved charger to charge the battery. 5

5.2 Inserting the battery

WARNING

Risk of injury by short circuit or falling battery!

- ▶ Before inserting the battery, make sure that the contacts on the battery and the contacts on the product are free of foreign matter.
- ▶ Make sure that the battery always engages correctly.

1. Charge the battery fully before using it for the first time.
2. Push the battery into the product until it engages with an audible click.
3. Check that the battery is seated securely.

5.3 Removing the battery

1. Press the battery release buttons.
2. Remove the battery from the tool.

5.4 Fitting the side handle (optional)

CAUTION

Risk of injury! Loss of control over the breaker.

- ▶ Check that the side handle is fitted correctly and tightened securely.
1. Release the side handle clamping band by turning the handle grip.
 2. Slide the side handle clamping band over the tool holder from the front and into the recess provided.
 3. Adjust the side handle to the desired position.
 4. Tighten the side handle clamping band by turning the handle grip.

5.5 Removing the chuck

When changing the chuck, set the function selector switch to this position:

1. Remove the battery from the tool.
2. Grip the chuck as shown in the illustration and pull the three chuck release rings upwards.
3. Lift the chuck upwards away from the tool.

5.6 Fitting the chuck

When changing the chuck, set the function selector switch to this position:

1. Remove the battery from the tool.
2. Grip the chuck as shown in the illustration and pull the three chuck release rings upwards.



3. Fit the chuck onto the chuck mount.
4. Rotate the chuck until it engages in position.

5.7 Inserting the tool

1. Lightly grease the connection end of the accessory tool.
 - ▶ Use only genuine **Hilti** grease. Using the wrong grease can result in damage to the tool.
2. Push the accessory tool into the chuck as far as it will go (until it engages).
3. After fitting the accessory tool, grip it and pull it in order to check that it is securely engaged.
 - ▶ The product is ready for use.

5.8 Removing the accessory tool

WARNING

Risk of injury! The tool becomes hot as a result of use.

- ▶ Wear protective gloves when changing the tool.
-
- ▶ Pull the tool lock back as far as it will go and remove the accessory tool.

6 Types of work

CAUTION

Risk of damage by incorrect handling!

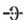
- ▶ Do not operate the switches for direction of rotation and/or function selection during operation.
-

Observe the safety instructions and warnings in this documentation and on the product.


6.1 Function selector switch

- ▶ Set the function selector switch to the desired position.

6.2 Chisel positioning

- ▶ Set the function selector switch to this symbol: 
 - ▶ The chisel can be adjusted to 12 different positions (in 30° increments). This ensures that flat chisels and shaped chisels can always be set to the optimum working position.

6.3 Chiseling

- ▶ Set the function selector switch to this symbol: 



Use both hands to hold the product firmly. Keep the product clean and free of oil and grease.



When the product is hot after working, do not place it on readily flammable materials. These materials can ignite.

7 Care and maintenance

WARNING

Risk of injury with battery inserted !

- ▶ Always remove the battery before carrying out care and maintenance tasks!
-

Care of the product

- Carefully remove stubborn dirt.
- Carefully clean the air vents, if present, with a dry, soft brush.
- Use only a slightly damp cloth to clean the housing. Do not use cleaning agents containing silicone as these can attack the plastic parts.
- Use a dry, clean cloth to clean the contacts of the product.



Care of the Li-ion batteries

- Never use a battery with clogged air vents. Clean the air vents carefully using a dry, soft brush.
- Avoid unnecessary exposure of the battery to dust and dirt. Never expose the battery to high levels of moisture (e.g. by being dipped in water or left in the rain).
If a battery has been soaked by moisture, treat it as a damaged battery. Isolate it in a non-flammable container and consult **Hilti Service**.
- Keep the battery free of extraneous oil and grease. Do not permit dust or dirt to accumulate unnecessarily on the battery. Clean the battery with a dry, soft brush or a clean, dry cloth. Do not use cleaning agents containing silicone as these can attack the plastic parts.
Do not touch the contacts of the battery and do not remove the factory-applied grease from the contacts.
- Use only a slightly damp cloth to clean the housing. Do not use cleaning agents containing silicone as these can attack the plastic parts.

Maintenance

- Check all visible parts and controls for signs of damage at regular intervals and make sure that they all function correctly.
- Do not use the product if signs of damage are found or if parts malfunction. Immediately have the product repaired by **Hilti Service**.
- After cleaning and maintenance, install all guards and protective devices and check that they are in full working order.



To help ensure safe and reliable operation, use only genuine Hilti spare parts and consumables. Spare parts, consumables and accessories approved by **Hilti** for use with your product can be found at your **Hilti Store** or online at: www.hilti.group

8 Transport and storage of cordless tools and batteries

Transport



Accidental starting during transport !

- ▶ Always transport your products with the batteries removed!
- ▶ Remove the battery/batteries.
- ▶ Never transport batteries loose and unprotected. During transport, batteries should be protected from excessive shock and vibration and isolated from any conductive materials or other batteries that may come in contact with the terminals and cause a short circuit. **Comply with the locally applicable regulations for transporting batteries.**
- ▶ Do not send batteries through the mail. Consult your shipper for instructions on how to ship undamaged batteries.
- ▶ Prior to each use and before and after prolonged transport, check the product and the batteries for damage.

Storage



Accidental damage caused by defective or leaking batteries !

- ▶ Always store your products with the batteries removed!
- ▶ Store the product and the batteries in a cool and dry place. Comply with the temperature limits stated in the technical data.
- ▶ Do not store batteries on the charger. Always remove the battery from the charger when the charging operation has completed.
- ▶ Never leave batteries in direct sunlight, on sources of heat, or behind glass.
- ▶ Store the product and batteries where they cannot be accessed by children or unauthorized persons.
- ▶ Prior to each use and before and after prolonged storage, check the product and the batteries for damage.

9 Troubleshooting

If the trouble you are experiencing is not listed in this table or you are unable to remedy the problem by yourself, please contact **Hilti Service**.



9.1 The breaker is in working order

| Trouble or fault | Possible cause | Action to be taken |
|---|---|--|
| The battery runs down more quickly than usual. | Battery condition is not optimal. | ▶ Replace the battery. |
| The battery doesn't engage with an audible click. | The retaining lugs on the battery are dirty. | ▶ Clean the retaining lugs and refit the battery. |
| The power tool doesn't start. | The permissible operating temperature of the combihammer's electronics has been exceeded. | ▶ Allow the combihammer to cool down. |
| | Battery is discharged. | ▶ Change the battery and charge the empty battery. |
| Product switches off automatically. | The overload cut-out has been activated. | ▶ Release the control switch. Allow the product to cool down. Press the control switch again. |
| The power tool or battery gets very hot. | Electrical fault | ▶ Immediately switch off the product. Remove the battery and keep it under observation. Allow it to cool down. Contact Hilti service. |
| | The product is overloaded (application limit exceeded). | ▶ Select a tool that is suitable for the intended purpose. |
| The accessory tool can't be released. | The chuck is not pulled back fully. | ▶ Pull the tool lock back as far as it will go and remove the accessory tool. |

9.2 The breaker is not in working order

| Malfunction | Possible cause | Action to be taken |
|----------------|-------------------------------------|---|
| No LEDs light. | The battery is not fully inserted. | ▶ Push the battery in until it engages with a click. |
| | Battery is discharged. | ▶ Change the battery and charge the empty battery. |
| | The battery is too hot or too cold. | ▶ Bring the battery to the recommended working temperature. |
| 1 LED flashes. | Battery is discharged. | ▶ Change the battery and charge the empty battery. |
| | The battery is too hot or too cold. | ▶ Bring the battery to the recommended working temperature. |
| 4 LEDs blink. | Product momentarily overloaded. | ▶ Release the control switch and then press it again. |
| | Protection against overheating. | ▶ Allow the product to cool down and clean the air vents. |

10 Disposal

Most of the materials from which **Hilti** tools and appliances are manufactured can be recycled. The materials must be correctly separated before they can be recycled. In many countries, your old tools, machines or appliances can be returned to **Hilti** for recycling. Ask **Hilti** Service or your Hilti representative for further information.



- ▶ Do not dispose of power tools, electronic equipment or batteries as household waste!

11 Manufacturer's warranty

- ▶ Please contact your local **Hilti** representative if you have questions about the warranty conditions.



1 מידע על הוראות ההפעלה

1.1 על הוראות הפעלה אלו

- **אזהרה!** לפני השימוש במוצר יש לקרוא ולהבין את הוראות הפעלה המצורפות למוצר, כולל ההערות, הוראות הבטיחות והאזהרות, האיומים והמפרטים. יש ללמוד במיוחד את כל הוראות הבטיחות, האזהרות, המפרטים והפונקציות השונות של המוצר. התעלמות מהנחיה זו מובילה לסכנת התחשמלות, שריפה ופציעות קשות. שמור את הוראות הפעלה, כולל כל הוראות הבטיחות והאזהרות לצורך שימוש בעתיד.
- המוצרים של **HILTI** מיועדים למשתמש המקצועי, ורק אנשים מורשים, שעברו הכשרה מתאימה, רשאים לתפעל, לתחזק ולתקן אותם. אנשים אלה חייבים ללמוד באופן מיוחד את הסכנות האפשריות. המוצר המתואר והעדרים שלו עלולים להיות מסוכנים כאשר אנשים שלא עברו הכשרה מתאימה משתמשים בהם באופן לא מקצועי או כאשר משתמשים בהם שלא בהתאם לייעוד.
- הוראות הפעלה המצורפות נכתבו בהתאם לידיעות הטכנולוגיות במועד השליחה לדפוס. את הגרסה העדכנית ביותר אפשר למצוא תמיד בדף המוצר של Hilti. כדי להגיע לשם, יש לסרוק את קוד ה-QR בהוראות הפעלה האלה, מסומן בסמל .
- אם אתה מעביר את המוצר לאדם אחר, מסור לו גם את הוראות הפעלה האלה.

1.2 הסבר הסימנים

1.2.1 אזהרות

האזהרות מזהירות מפני סכנות בשימוש במוצר. במדרג זה מופיעות מילות המפתח הבאות:



סכנה

סכנה!

← מציינת סכנה מיידית, המובילה לפציעות גוף קשות או למוות.



אזהרה

אזהרה!

← מציינת סכנה אפשרית, שיכולה להוביל לפציעות גוף קשות או למוות.



זהירות

זהירות!

← מציינת מצב שעלול להיות מסוכן ולהוביל לפציעות גוף או לנזקים לרכוש.

1.2.2 סמלים בהוראות הפעלה

הסמלים הבאים מופיעים בהוראות הפעלה אלה:

| | |
|--|--|
| | שים לב להוראות הפעלה |
| | הנחיות לשימוש ומידע שימושי נוסף |
| | טיפול נכון בחומרים למיחזור |
| | אין להשליך לפסולת הביתית מכשירים חשמליים וסוללות |
| | Hilti סוללת ליתיום-יון |
| | Hilti מטען |

1.2.3 סמלים באיומים

הסמלים הבאים משמשים באיומים:

| | |
|----|--|
| | מספרים אלה מפנים לאיור המתאים בתחילת הוראות הפעלה אלה. |
| 3 | המספרים באיומים מפנים לשלבי עבודה חשובים או לרכיבים חשובים לשלבי העבודה. שלבי עבודה אלה או רכיבים אלה מודגשים בטקסט במספרים מתאימים, לדוגמה (3). |
| 11 | מספרי הפריטים מופיעים באיור סקירה ותואמים את המספרים במקרא בפרק סקירת המוצר . |



סימן זה אמור לעורר את תשומת לבך המיוחדת בעת השימוש במוצר.



1.3 סמלים ספציפיים למוצר

1.3.1 סמלים על המוצר

הסמלים הבאים מופיעים על המוצר:

| | |
|--------|--|
| | חציבה |
| | מיקום האזמל |
| | קוטר |
| n_0 | מהירות סרק נקובה |
| /min | סיבובים לדקה |
| | זרם ישר |
| Li-Ion | סוללת ליתיום-יון |
| | סדרת דגמי סוללות ליתיום-יון של Hilti שבשימוש. שים לב לנתונים בפרק שימוש בהתאם ליעוד. |
| | המוצר תומך בתעבורת נתונים אלחוטית, המתאימה לשימוש עם פלטפורמות iOS ו-Android. |
| | לעולם אין להשתמש בסוללה כפטיש. |
| | אין להפיל את הסוללה. אין להשתמש בסוללה שנחבטה או שניזוקה באופן אחר. |

2 בטיחות

2.1 הוראות בטיחות כלליות לכלי עבודה חשמליים

⚠ אזהרה קרא את כל הוראות הבטיחות, ההנחיות, האירורים והנתונים הטכניים המצורפים לכלי העבודה החשמלי. אי ציות להנחיות עלול להוביל להתחשמלות, לשרפה ו/או לפציעות קשות.
שמור את כל הוראות הבטיחות וההנחיות ליעוין בעתיד.
 המונח "כלי עבודה חשמלי" המשמש בהוראות הבטיחות מתייחס לכלי עבודה חשמליים המחוברים לרשת החשמל (עם כבל חשמל) או לכלי עבודה חשמליים המופעלים באמצעות סוללה נטענת (ללא כבל חשמל).

בטיחות במקום העבודה

- ◀ **שמור על אזור העבודה שלך נקי ודאג לתאורה מספקת.** חוסר סדר או תאורה לקויה במקום העבודה עלולים לגרום לתאונות.
- ◀ **אין להפעיל את כלי העבודה החשמלי בסביבה שקיימת בה סכנת פיצוץ או שישנם בה נדלסים, גזים או אבק דליקים.** כלי עבודה חשמליים יוצרים ניצוצות, שעלולים להצית את האבק או האדים.
- ◀ **הרחק ילדים ואנשים אחרים מכלי העבודה החשמלי במהלך השימוש בו.** אם עתך תוסח אתה עלול לאבד את השליטה במכשיר.

בטיחות בחשמל

- ◀ **תקע החשמל של כלי העבודה החשמלי חייב להתאים לשקע החשמל. אסור לשנות בשום אופן את תקע החשמל.** אל תשתמש בשקע מתאם ביחד עם כלי עבודה חשמליים הכוללים הגנת הארקה. שימוש בתקעים חשמליים שלא עברו שינוי ושקעי חשמל מתאימים מפחית את הסיכון להתחשמלות.
- ◀ **מנע מגע של הגוף בשטחים מוארקים כגון צינורות, גופי חימום, תנורים ומקררים.** קיימת סכנה גבוהה להתחשמלות כאשר הגוף שלך מוארק.
- ◀ **הרחק כלי עבודה חשמליים מגשם או רטיבות.** חדירת מים לכלי העבודה החשמלי מגדילה את הסיכון להתחשמלות.
- ◀ **אל תשתמש בכבל החשמל למטרות שלא לשמן הוא נועד, לדוגמה: אל תרים את כלי העבודה החשמלי באמצעות הכבל ואל תנסה לנתק את התקע משקע החשמל במשיכה מהכבל.** הרחק את הכבל מחום, שמן, פינות חדות או מחלקים נעים. כבלים שניזוקו או שהסתבכו בחלקים אחרים מגדילים את הסיכון להתחשמלות.
- ◀ **כאשר אתה עובד עם כלי העבודה החשמלי בחוץ, השתמש רק בכבל מאריך המיועד לשימוש חיצוני.** שימוש בכבל מאריך המתאים לשימוש חיצוני מפחית את הסיכון להתחשמלות.



אם לא ניתן להימנע משימוש בכלי העבודה החשמלי בסביבה לחה, השתמש בממסר פחת. השימוש בממסר פחת מפחית את הסיכון להתחשמלות.

בטיחות של אנשים

- היה ערני, שים לב למה שאתה עושה, ופעל בתבונה כאשר אתה עובד עם כלי עבודה חשמלי. אל תפעיל כלי עבודה חשמליים כשאתה עייף או תחת השפעת סמים, אלכוהול או תרופות. די ברגע אחד של חוסר תשומת-לב בדמן השימוש בכלי העבודה החשמלי כדי לגרום פציעות קשות.
- לבש תמיד ציוד מגן וסוּקְפֵי מגן. לבישת ציוד מגן אישי, כגון מסכת אבק, געלי בטיחות מונעות החלקה, קסדת מגן או מגני שמיעה – בהתאם לסוג השימוש בכלי העבודה החשמלי – מקטינה את הסיכון לפציעות.
- מנע הפעלה בשוגג. ודא שכלי העבודה החשמלי כבוי לפני שאתה מחבר אותו לאספקת החשמל ו/או לפני שאתה מחבר את הסוללה ולפני הרמתו. אל תניח את אצבעך על המתג בדמן שאתה נושא את המכשיר ואל תחבר אותו לאספקת החשמל כאשר הוא מופעל, אחרת עלולות להיגרם תאונות.
- הרחק כלי כוונון או מפתחות ברגים לפני שאתה מפעיל את כלי העבודה החשמלי. כלי עבודה או מפתחות הנמצאים בקרבת חלקים מסתובבים עלולים לגרום פציעות.
- הימנע מתנוחות גוף לא כנונות. עמוד באופן יציב ושומר תמיד על שיווי משקל. כך תוכל לשלוט טוב יותר בכלי העבודה החשמלי במצבים לא צפויים.
- לבש בגדים מתאימים. אל תלבש בגדים רחבים או תכשיטים. הרחק את השער, הבגדים וכפפות מחלקים נעים. בגדים רופפים, תכשיטים ושיער ארוך עלולים להיתפס בחלקים נעים.
- כאשר ניתן להתקיין התקני שאיבת אבק ולכידה יש לוודא שהם מחוברים לחשמל, ויש להקפיד להשתמש בהם בצורה כנונה. שימוש בהתקין שאיבת אבק מקטין את הסכנות הנובעות מהאבק.
- אל תהיה שאגן בנושאי בטיחות ואל תתעלם מהוראות בטיחות של כלי עבודה חשמליים, גם אם השתמשת במכשיר פעמים רבות ואתה מכיר אותו היטב. התנהגות רשלנית עלולה להוביל לפציעות קשות בתוך שניות.

שימוש וטיפול בכלי העבודה החשמלי

- אל תפעיל עומס רב מדי על המכשיר. השתמש בכלי העבודה החשמלי המתאים לעבודה שאתה מבצע. כלי העבודה החשמלי המתאים מבטיח לך עבודה טובה ובטוחה יותר בתחום ההספק הנקוב.
- אל תשתמש בכלי העבודה אם המתג שלו אינו תקין. כלי עבודה חשמלי שלא ניתן עוד להפעיל או לכבות אותו מהווה סכנה ויש לתקנו.
- נתק את תקע החשמל מהשקע ו/או הסר את הסוללה לפני שאתה מבצע כוונונים במכשיר, מחליף כלים או לאחר שאתה מפסיק לעבוד עם המכשיר. אמצעי זהירות זה מונע הפעלה בשוגג של כלי העבודה החשמלי.
- שמור כלי עבודה חשמליים שאינם בשימוש הרחק מהישג ידם של ילדים. אל תאפשר לאנשים שאינם יודעים כיצד להשתמש במכשיר או שלא קראו את ההוראות להשתמש במכשיר. כלי עבודה חשמליים הם מסוכנים כאשר משתמשים בהם אנשים חסרי ניסיון.
- ישפל בכלי עבודה חשמליים ובאביזרים בהקפדה. בדוק אם החלקים הנעים פועלים בצורה חלקה ואינם נתקעים, אם נטפס חלקים שבורים או מקולקלים המשבשים את הפעולה התקינה של כלי העבודה החשמלי. לפני השימוש במכשיר דאג לתיקון חלקים לא תקינים. תאונות רבות נגרמו עקב תחזוקה לקויה של כלי עבודה חשמליים.
- שמור על כלי החיתוך חדים ונקיים. כלי חיתוך מטופלים היטב, שלהביהם חדים נתקעים פחות וקלים יותר לתפעול.
- השתמש בכלי העבודה החשמלי, באביזרים, בכלי העבודה הנוספים וכן הלאה בהתאם להוראות אלה. התחשב בתנאי העבודה ובפעולה שעליך לבצע. שימוש בכלי העבודה החשמלי למטרות אחרות מאלה שלשמן הוא מיועד עלול להיות מסוכן.
- שמור על ידיות ואזורי אחיזה נקיים מלכלוך משומן ומגריז. ידיות ואזורי אחיזה חלקים אינם מאפשרים תפעול בטוח ושלטיה טובה בכלי העבודה החשמלי במצבים לא צפויים.

שימוש וטיפול בכלי עבודה נטענים

- שמור את הסוללות רטובות במטענים שהומלצו על ידי היצרן. טעינה של סוללה במטען המיועד לטעינה של סוללות מסוג אחר עלולה לגרום לשרפה.
- השתמש לשם כך רק בסוללות המתאימות לכלי העבודה החשמלי. שימוש בסוללות אחרות עלול לגרום לשרפות.
- שמור סוללות שאינן בשימוש הרחק ממקדחי נייר משרדיים, ממטבעות, מפתחות, מסמרים, ברגים או חפצים מתכתיים קטנים אחרים שיכולים לגרום לשרפה בין המגעיים. קצר בין מגעי הסוללה עלול לגרום לכוויות או לשרפה.
- שימוש שגוי עלול לגרום לדליפת נוזלים מהסוללה. אל תיגע בנוזלים אלה. אם נגעת בהם במקרה, שטוף את האזור במים. אם הנוזל נוגע בעיניים, פנה לרופא. נדל סוללות שדלף עלול לגרום לגירויים בעור ולכוויות.
- אין להשתמש בסוללה ששונתה או שניזוקה. סוללות שניזוקו או שנערכו בהן שינויים עשויות להגיב בצורה לא צפויה ולגרום לשרפה, לפיצוץ ולפציעות.
- אין לחשוף סוללות לאש או למטפרטורות גבוהות. אש או מטפרטורות גבוהות מ-130°C (265°F) עלולות לגרום לפיצוץ.
- ציית לכל ההנחיות הנוגעות לטעינה, ואף פעם אל תטען את הסוללה או את הכלי עם הסוללה בסביבה שהטמפרטורה בה נמצאת מחוץ לטווח המצוין בהוראות הפעלה. טעינה שגויה או טעינה בטמפרטורה שנמצאת מחוץ לטווח המצוין בהוראות הפעלה עלולה לגרום את הסוללה ולהגביר את הסיכון לשרפה.

שירות

- דאג לתיקון כלי העבודה החשמלי שלך רק בידי טכנאים מוסמכים, המשתמשים בחלקי חילוף מקוריים בלבד. כך תבטיח שמירה על בטיחות העבודה במכשיר.
- אל תטפל בעצמך בסוללות שניזוקו. רק היצרן או מעבדה מורשית מטעמו רשאים לטפל בסוללות.



הנחיות בטיחות לכל העבודות

- ◀ **השתמש במגבי שמיעה.** רעש חזק עלול לפגוע בשמיעה.
- ◀ **השתמש בידיות האחיזה הנוספות המצורפות למכשיר.** אובדן השליטה במכשיר עלול לגרום לפציעות.
- ◀ **כאשר אתה ממצע עבודות שבהן כלי העבודה עלול לפגוע בקווי חשמלי מוסתרים אחדו במכשיר במקומות האחיזה המבודדים.** מגע בקווים המוליכים זרם עלול להעביר זרם גם לחלקים מתכתיים במכשיר שלך ולגרום להתחשמלות.

בטיחות של אנשים

- ◀ השתמש במוצר ובאביזרים רק בתנאי שהם נמצאים במצב טכני מושלם.
- ◀ אל תבצע בשום אופן שינויים או מניפולציות במוצר או באביזרים.
- ◀ הקפד על עמידה יציבה בעת חציבה בתקרה, בקיר וברצפה. פריצה פתאומית עלולה לגרום לך לאבד שיווי משקל!
- ◀ עבודות פריצה יש לאבטח את האזור בצד הנגדי של מקום העבודה שלך. חומרים מעבודות הפריצה עשויים ליפול ולפצוע אנשים אחרים.
- ◀ במהלך העבודה גם אתה וגם אנשים הנמצאים בקרבת מקום צריכים לחבוש משקפי מגן מתאימים, קסדת הגנה, להשתמש במגבי שמיעה וללבוש כפפות בטיחות כמו גם מסכת נשימה קלה.
- ◀ לבש נעלי בטיחות בעת החלפת כלי. מגע בכלי עלול לגרום לפציעות ולכוויות.
- ◀ השתמש במגבי עיניים. שבבי חומר שניתזים עלולים לפצוע את הגוף והעיניים.
- ◀ אבק שנוצר במהלך ליטוש, השחזה, חיתוך או קידוח עלול להכיל כימיקלים מסוכנים. להלן כמה דוגמאות: עופרת או צבעים על בסיס עופרת; לבנים, בטון וחומרי קיר אחרים, אבן טבעית ומוצרים אחרים המכילים סיליקט; עצים מסוימים, כגון אלון, בוק וץ שעבר טיפול כימי; אסבסט או חומרים המכילים אסבסט. יש למדוד את חשיפת המשתמש והאנשים בסביבה על פי דירוג הסכנה של החומרים שבהם עובדים. נקט את האמצעים הדרושים כדי לשמור את החשיפה ברמה בטוחה, לדוגמה שימוש במערכות שאיבת אבק או לבישת מסכת נשימה מתאימה. להלן רשימה של אמצעים כלליים להפחתת החשיפה:
- ◀ עבודה באזור מאוורר היטב.
- ◀ הימנעות ממגע ממושך עם האבק.
- ◀ סילוק האבק מהפנים והגוף.
- ◀ לבישת ביגוד מגן ושטיפת אזורים חשופים במים וסבון.
- ◀ ערוך הפסקות תכופות ותרגילים לשיפור זרימת הדם לאצבעות. בעבודה ממושכת הרעידות החזקות מהמכשיר עשויות לגרום להפרעות בכלי הדם או במערכת העצבים של האצבעות, כפות הידיים או שורשי כף היד.

בטיחות בחשמל

- ◀ לפני תחילת העבודה בדוק אם ישנם כבלי חשמל, צינורות גז או מים נסתרים. חלקים מתכתיים חיצוניים על המכשיר עלולים לגרום התחשמלות או פיצוץ כאשר פוגעים בכבל חשמל, בצינור גז או מים.

טיפול ושימוש קפדניים בכלי עבודה חשמליים

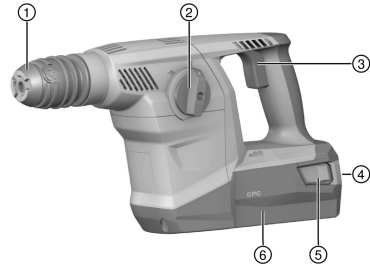
- ◀ הדלק את המכשיר רק לאחר שהבאת אותו לעמדת העבודה.
- ◀ המתן עד לעצירה מלאה של המוצר לפני שאתה מניח אותו.

- ◀ ציית לתקנות הנוגעות להובלה, אחסון והפעלה של סוללות נטענות מסוג ליתיום-יון.
- ◀ הרחק את הסוללות ממקומות חמים מאוד, מקרינת שמש ישירה ומאש.
- ◀ אין לפרק, למעוך, לחמם לטמפרטורה גבוהה מ-80°C (176°F) או לשרוף את הסוללות הנטענות.
- ◀ אן להשתמש או לטעון סוללות שקיבלו מכה, שנפלו מגובה גבוה ממטר או שניזוקו באופן אחר. במקרה כזה יש ליצור קשר עם **השירות של Hilti**.
- ◀ אם הסוללה חמה כל כך שלא ניתן לגעת בה, ייתכן שהיא אינה תקינה. הנח את הסוללה במקום לא דליק, גלוי, רחוק מספיק מחומרים דליקים. אפשר לסוללה להתקרר. אם כעבור שעה הסוללה עדיין חמה מדי לנגיעה, אז היא פגומה. צור קשר עם **השירות של Hilti**.



3.1 סקירת המוצר

- | | |
|--|---|
| תפסנית | ① |
| בורר פעולות | ② |
| מתג הפעלה | ③ |
| חיווי טעינה / תקלות של הסוללה | ④ |
| לחצני שחרור בעילה / הפעלת חיווי רמת הטעינה | ⑤ |
| סוללה | ⑥ |


3.2 שימוש בהתאם ליעוד

המוצר המתואר זהו פטיש חציבה המופעל באמצעות סוללה נטענת וכולל מערכת הלימה פניאומטית. המכשיר מיועד לעבודות חציבה קלות עד בינוניות בקירות ולטיפול משלים בבטון.

- ◀ השתמש עבור מוצר זה רק בסוללות ליתיום יון של Hilti מסדרת הדגמים B 36.
- ◀ השתמש עבור סוללה זו רק במטענים של Hilti מהסדרה C4/36.

3.3 שימוש שגוי אפשרי

- מוצר זה אינו מיועד לעבודה בחומרים המהווים סכנה בריאותית.
- מוצר זה אינו מיועד לעבודה בסביבה לחה.
- אין להשתמש במוצר במקומות שקיימת בהם סכנת שריפה או פיצוץ.

3.4 תצוגת סוללת הליתיום-יון

נוריות החיווי של סוללות הליתיום-יון מציינות את רמת הטעינה של סוללת הליתיום-יון וכן תקלות במכשיר. לאחר לחיצה על אחד משני לחצני השחרור של הסוללה תוצג רמת הטעינה של סוללת הליתיום-יון.

| משמעות | מצב |
|------------------------------------|--|
| רמת טעינה: 75% עד 100% | 4 נוריות מהבהבות. |
| רמת טעינה: 50% עד 75% | 3 נוריות מהבהבות. |
| רמת טעינה: 25% עד 50% | 2 נוריות מהבהבות. |
| רמת טעינה: 10% עד 25% | נורית 1 מאירה. |
| רמת טעינה: > 10% | נורית 1 מהבהבת. |
| הסוללה חמה מדי או נפרקה לגמרי. | נורית 1 מהבהבת, המכשיר אינו מוכן לעבודה. |
| עומס יתר או התחממות יתר של המכשיר. | 4 נוריות מהבהבות, המכשיר אינו מוכן לעבודה. |

בזמן שמתג הפעלה לחוץ וכן במשך 5 השניות הראשונות לאחר שחרור מתג הפעלה לא ניתן לברר את מצב הטעינה של הסוללה.

אם נוריות החיווי של הסוללה מהבהבות, ראה בבקשה הערות הפרק תיקון תקלות.

3.5 מפרט אספקה

פטיש חציבה, ידית אחיזה צדית, הוראות הפעלה.

מוצרים נוספים המאפשרים עבור המוצר שלך תמצא ב-Hilti Store או באינטרנט בכתובת: www.hilti.group | ארה"ב: www.hilti.com



| 4.1 נתוני המוצר | |
|-------------------|---|
| TE 300-A36 | |
| 03 | דור המוצר |
| 36 וולט | מתח נקוב |
| 4.9 ק"ג | משקל בהתאם להליך EPTA 01 במדידה באמצעות B365.2 |

4.2 מידע על רעשים וערכי רעידות

ערכי לחץ הקול והרעידות המצוינים בהוראות אלה נמדדו בהתאם לנוהל המדידה התקני, וניתן להשתמש בהם לצורך השוואה בין כלי עבודה חשמליים. הם מתאימים גם להערכה זמנית של העומסים.

הנתונים המצוינים תקפים לשימושים העיקריים בכלי העבודה החשמלי. אולם אם משתמשים בכלי העבודה החשמלי לשימושים אחרים, בשילוב אביזרים אחרים או אם המכשיר אינו עובר תחזוקה מספקת, הנתונים עשויים להשתנות. בעקבות זאת פריסת העומסים למשך זמן העבודה כולו עשויה להיות גבוהה באופן משמעותי.

לצורך הערכה מדויקת של העומסים יש לקחת בחשבון גם את הזמנים שבהם כלי העבודה כבוי או שבהם הוא אמנם פועל אך אינו בשימוש בפועל. בעקבות זאת פריסת העומסים למשך זמן העבודה כולו עשויה להיות נמוכה באופן משמעותי.

יש לקבוע הנחיות בטיחות נוספות להגנה על המשתמש מפני ההשפעות של קול ו/או רעידות, כגון: תחזוקה של כלי העבודה החשמלי ושל כלי העבודה המחבורים, שמירה על ידיים חמות, ארגון תהליכי העבודה.

מידע מפורט על גרסאות תקני **EN 62841** הישימים תמצא בתמונת הצהרת התאימות 22.



מידע על רעשים

| TE 300-A36 | |
|-------------------|---|
| 102 dB | רמת הספק קול (L_{WA}) |
| 3 dB(A) | אי ודאות (K_{WA}) |
| 94 dB | רמת לחץ קול (L_{pA}) |
| 3 dB(A) | אי ודאות (K_{pA}) |

מידע על רעידות

| | | חציבה ($a_h, Cheq$) |
|--------------|------------------------|---------------------------------------|
| 8.5 מ' /שנ"ב | B 36/5.2 Li-Ion | |
| 7.7 מ' /שנ"ב | B 36/9.0 Li-Ion | |

4.3 סוללה

| מתח עבודה עם סוללה בטענה | 36 וולט |
|--------------------------------------|------------------|
| טמפרטורת סביבה בעבודה | 60 °C ... -17 °C |
| טמפרטורת אחסון | 40 °C ... -20 °C |
| טמפרטורת הסוללה בתחילת הטעינה | 45 °C ... -10 °C |

5 הכנה לעבודה
אזהרה

סכנת פציעה עקב התחלת תנועה בשוגג!

- ◀ לפני חיבור הסוללה ודא שהמוצר כבוי.
- ◀ הסר את הסוללה לפני שאתה מבצע כוונונים כלשהם במכשיר או מחליף אביזרים.

צייט להוראות הבטיחות והאזהרות שבתיעוד זה ולא להאמין לנתונים המוצגים על המוצר.

5.1 טעינת סוללה

1. קרא את הוראות ההפעלה של המטען לפני הטעינה.
2. ודא שהמגעיים של הסוללה ושל המטען נקיים ויבשים.
3. טען את הסוללה במטען מאושר. 15



5.2 חיבור הסוללה

⚠ אזהרה

סכנת פציעה עקב קצר או נפילת סוללה!

- ◀ לפני חיבור הסוללה ודא שהמגעים של הסוללה ושל המוצר נקיים מגופים זרים.
- ◀ ודא תמיד שהסוללה תפוסה היטב.

1. טען את הסוללה למצב מלא לגמרי לפני השימוש הראשון.
2. דחף את הסוללה למוצר עד שאתה שומע אותה ננעלת.
3. ודא שהסוללה יושבת היטב.

5.3 הסרת הסוללה

1. לחץ על לחצני השחרור של הסוללה.
2. הסר את הסוללה מהמכשיר.

5.4 התקנת ידית האחידה הצדית (אופציונלי) 2

⚠ זהירות

סכנת פציעה אובדן השליטה על פטיש החציבה.

- ◀ ודא כי ידית האחידה הצדית מותקנת בצורה נכונה ומהודקת היטב.

1. סובב את הידית כדי לשחרר את המחזיק (חבק) של ידית האחידה.
2. דחף את המחזיק (חבק) מלפנים על פני התפסנית עד לחריץ המיועד.
3. מקם את יחידת האחידה הצדית במיקום המבוקש.
4. סובב את הידית כדי למתוח את המחזיק (חבק).

5.5 פירוק התפסנית 3

- ◀ בעת הכנסת/החלפת כלי העבר את בורר הפעולות לסמל הבא:

1. הסר את הסוללה מהמכשיר.
2. אחוז מעל לתפסנית ומשוך את 3 טבעות הנעילה כלפי מעלה.
3. הסר את התפסנית במשיכה מעלה.

5.6 התקנת התפסנית 3

- ◀ בעת הכנסת/החלפת כלי העבר את בורר הפעולות לסמל הבא:

1. הסר את הסוללה מהמכשיר.
2. אחוז מעל לתפסנית ומשוך את 3 טבעות הנעילה כלפי מעלה.
3. חבר את התפסנית למחזיק.
4. סובב את התפסנית עד שהיא ננעלת.

5.7 חיבור כלי 4

1. שמן קלות את הקנה של הכלי.
 - ◀ השתמש רק בגריד מקורי של Hilti. גריד לא מתאים עלול לגרום נדקים למכשיר.
2. הכנס את קנה הכלי לתפסנית עד הסוף ואפשר לו להינעל.
3. לאחר חיבור הכלי משוך אותו כדי לוודא שהוא נעול היטב.
 - ◀ המוצר מוכן לעבודה.

5.8 הוצאת הכלי 4

⚠ אזהרה

סכנת פציעה הכלי מתחמם במהלך השימוש.

- ◀ לבש נעלי בטיחות בעת החלפת כלי.



6 עבודה

⚠️ זהירות

סכנת דק עקב שימוש לא כוון!

אל תתפעל את מתג בחירת כיוון הסיבוב ו/או את בורר הפעולות במהלך העבודה.

ציית להוראות הבטיחות והאזהרות שבתיעוד זה ולא להל המצוינות על המוצר.

6.1 בורר הפעולות

העבר את בורר הפעולות למצב העבודה המבוקש.

6.2 מיקום האזמל

העבר את בורר הפעולות לסמל זה: .
 ניתן למקם את האזמל ב-12 מצבים שונים (מרווחים של 30°). כך ניתן לעבוד באזמלים שטוחים ומעוצבים במצב העבודה הטוב ביותר.

6.3 חציבה

העבר את בורר הפעולות לסמל זה: .

החזק את המכשיר תמיד בשתי ידיים. שמור על המוצר כקי מלכלוך, שומן או גריד.

אל תניח את המוצר לאחר העבודה כשהוא חם על חומרים דליקים. הם עלולים להידלק.

7 טיפול ותחזוקה

⚠️ אזהרה

סכנת פציעה כאשר הסוללה מחוברת!

לפני ביצוע עבודות טיפול ותחזוקה כלשהן יש להקפיד להסיר את הסוללה!

טיפול במוצר

- הסר בזהירות לכלוך דבוק.
- אם ישנם, נקה את חריצי האוורור בזהירות בעזרת מברשת רכה ויבשה.
- נקה את גוף המכשיר רק באמצעות מטלית לחה מעט. אל תשתמש בחומרי טיפול המכילים סיליקון, מאחר שהם עלולים לפגוע בחלקי הפלסטיק.
- נקה את המגעים באמצעות מטלית נקיה ויבשה.

טיפול בסוללות ליתיום-יון

- לעולם אין להשתמש בסוללה שחריצי האוורור שלה סתומים. נקה את חריצי האוורור בזהירות בעזרת מברשת רכה ויבשה.
- מנע חשיפת הסוללה לאבק ולכלוך שלא לצורך. בשום אופן אין לחשוף את הסוללה ללחות גבוהה (לדוגמה להטביל אותה במים או להניח אותה בגשם).
- אם הסוללה נרטבה מאוד, יש להתייחס אליה כאל סוללה פגומה. בודד אותה במיכל לא דליק ופנה לשירות של Hilti.
- שמור על הסוללה נקיה משמן וגריד לא שייכים. אל תאפשר הצטברות מיותרת של לכלוך ואבק על הסוללה. נקה את הסוללה במטלית יבשה ורכה או במטלית נקיה ויבשה. אל תשתמש בחומרי טיפול המכילים סיליקון, מאחר שהם עלולים לפגוע בחלקי הפלסטיק.
- אל תיגע במגעים של הסוללה ואל תסיר מהמגעים גריד שהושם במפעל.
- נקה את גוף המכשיר רק באמצעות מטלית לחה מעט. אל תשתמש בחומרי טיפול המכילים סיליקון, מאחר שהם עלולים לפגוע בחלקי הפלסטיק.

תחזוקה

- בדוק באופן סדיר את כל החלקים הגלויים כדי לאתר נדקים ולוודא שכל הרכיבים פועלים באופן תקין.
- אל תפעל את המוצר אם ישנם נדקים ו/או תקלות. פנה מיד לשירות של Hilti כדי לתקן את המוצר.
- לאחר עבודות טיפול ותחזוקה יש להתקין בחזרה את כל ציוד ההגנה ולבדוק שהוא פועל בצורה תקינה.



8

הובלה ואחסון של כלי עבודה בטענים וסוללות

הובלה

⚠️ זהירות

התחלת פעולה בשוגג במהלך הובלה!

יש להוביל את המכשיר כשהסוללה מנותקת ממנו!

- ◀ הוצא את הסוללה/ות.
- ◀ לעולם אין להוביל את הסוללה בצורה חופשית בין עצמים לא ארזים. בזמן ההובלה הסוללות צריכות להיות מוגנות מפני חבטות ורעידות רבות וכן מבודדות מפני חומרים מוליכים כלשהם או סוללות אחרות, כדי שלא ייווצר מגע בינן לבין מגעים של סוללות אחרות ועקב כך קצר. **שים לב לכללי ההובלה במדינתך בנוגע לסוללות.**
- ◀ אסור לשלוח סוללות בזוג. אם אתה רוצה לשלוח סוללות לא פגומות, פנה לשם כך לחברת משלוחים והובלות.
- ◀ בדוק אם ישנם נדקים במוצר ובסוללות לפני כל שימוש וכן לפני הובלה ארוכה.

אחסון

⚠️ אזהרה

נדק לא מכוון כשהסוללות פגומות או דולפות!

יש לאחסן את המכשיר כשהסוללה מנותקת ממנו!

- ◀ אחסן את המוצר והסוללות במקום קריר ויבש. שים לב לערכי הגבול של הטמפרטורה, כמצוין בנתונים הטכניים.
- ◀ אין לאחסן סוללות על המטען. הקפד להוציא את הסוללה מהמטען בסיום תהליך הטעינה.
- ◀ לעולם אין לאחסן סוללות בשמש, על מקורות חום או מאחורי זכוכית.
- ◀ אחסן את המוצר והסוללה הרחק מהישג ידם של ילדים או אנשים לא מורשים.
- ◀ בדוק אם ישנם נדקים במוצר ובסוללות לפני כל שימוש וכן לפני אחסון ממושך.

9 תיקון תקלות

אם מתרחשת תקלה שאינה מוסברת בטבלה זו אז שאיך יכול לתקן בעצמך, פנה לשירות של Hilti.

9.1 פטיש החציבה תקין לעבודה

| תקלה | סיבה אפשרית | פתרון |
|--------------------------------------|--|---|
| הסוללה מתרוקנת מהר מהרגיל. | מצב הסוללה אינו מיטבי. | ◀ החלף את הסוללה. |
| הסוללה אינה נתפסת בצליל "קליק" ברור. | זידי הנעילה בסוללה מלוכלכים. | ◀ נקה את זידי הנעילה וחבר את הסוללה מחדש. |
| המכשיר אינו מתחיל לפעול. | המערכת האלקטרונית של הפטישון המשולב התחממה מעבר לטמפרטורת העבודה המותרת. | ◀ אפשר לפטישון המשולב להתקרר. |
| הסוללה ריקה. | הסוללה ריקה. | ◀ החלף סוללה, וטען את הסוללה הריקה. |
| המוצר נכבה אוטומטית. | מפסק ההגנה מפני עומס יתר קפץ. | ◀ שחרר את מתג ההפעלה. הנח למוצר להתקרר. לחץ שוב על מתג ההפעלה. |
| התחממות גבוהה של המוצר או הסוללה. | תקלה חשמלית | ◀ כבה את המוצר מיד. הסר את הסוללה והשגח עליה. אפשר לה להתקרר. צור קשר עם השירות של Hilti. |
| | עומס יתר על המוצר (חריגה מגבולות השימוש). | ◀ בחר מכשיר הולם לסוג העבודה. |
| לא ניתן לשחרר את הכלי מהנעילה. | התפסנית לא נמשכה לאחור עד הסוף. | ◀ משוך את נעילת הכלים אחורה עד הסוף והוצא את הכלי החוצה. |


9.2 פטיש החציבה אינו תקין לעבודה


| תקלה | סיבה אפשרית | פתרון |
|--------------------------|-----------------------------|----------------------------------|
| הנוריות אינן מציגות דבר. | הסוללה אינה מוכנסת עד הסוף. | ◀ ודא שהסוללה ננעלת בצליל נקישה. |



| תקלה | סיבה אפשרית | פתרון |
|--------------------------|----------------------------|--|
| הנוריות אינן מציגות דבר. | הסוללה ריקה. | ◀ החלף סוללה, וטען את הסוללה הריקה. |
| | הסוללה חמה מדי או קרה מדי. | ◀ הבא את הסוללה לטמפרטורת העבודה המומלצת. |
| נורית 1 מהבהבת. | הסוללה ריקה. | ◀ החלף סוללה, וטען את הסוללה הריקה. |
| | הסוללה חמה מדי או קרה מדי. | ◀ הבא את הסוללה לטמפרטורת העבודה המומלצת. |
| 4 נוריות מהבהבות. | עומס יתר זמני על המוצר. | ◀ שחרר את מתג ההפעלה ולחץ עליו מחדש. |
| | הגנה מפני התחממות יתר. | ◀ אפשר למוצר להתקרר ונקה את חריצי האוורור. |

10 סילוק

 המוצרים של Hilti מיוצרים בחלקם הגדול מחומרים ניתנים למיחזור. כדי שניתן יהיה למחזרם דרושה הפרדת חומרים מקצועית. במדינות רבות Hilti תקבל את המכשיר הישן שלך בחזרה לצורך מיחזור. פנה לשירות של Hilti או למשווק.

◀ אין להשליך כלי עבודה חשמליים, כלים אלקטרוניים וסוללות לפסולת הביתית! 

11 אחריות יצרן

◀ אם יש לך שאלות בנושא תנאי האחריות, אנא פנה למשווק Hilti הקרוב אליך.



en Declaration of conformity

Declaration of conformity

The manufacturer declares, on his sole responsibility, that the product described here complies with the applicable legislation and standards.

The technical documentation is filed here:

Hilti Entwicklungsgesellschaft mbH | Tool Certification | Hiltistrasse 6 | D-86916 Kaufering, Germany

Product information

| | |
|------------|--------------|
| Breaker | TE 300-A36 |
| Generation | 03 |
| Serial no. | 1-9999999999 |

Option: Details on 2000/14/EG

Details on 2000/14/EG:

| |
|--|
| Measured sound power level (L_{WA}): 103 dB(A) |
| Guaranteed sound power level ($L_{WA,G}$): 105 dB(A) |
| Conformity assessment procedure in accordance with Annex VI |
| Notified body No. 0044: TÜV NORD CERT GmbH, Am TÜV 1, 45307 Essen, Germany |



הצהרת תאימות

היצרן מצהיר באחריותו הבלעדית כי המוצר המתואר כאן עונה על דרישות החוק התקפות והתקנים התקפים.

התיעוד הטכני שמור כאן:

Hilti Entwicklungsgesellschaft mbH | Zulassung Geräte | Hiltistraße 6 | 86916 Kaufering, Germany

נתוני המוצר

| | |
|--------------|------------|
| TE 300-A36 | פטיש חציבה |
| 03 | דור |
| 9999999999-1 | מס' סידורי |

אפשרות: פרטים על 2000/14/EG

פרטים על 2000/14/EG:

| |
|--|
| רמת הספק קול שנמדדה (L_{WA}): 103 dB(A) |
| רמת הספק קול מובטחת ($L_{WA,d}$): 105 dB(A) |
| הליך הערכה של התאימות על פי נספח VI מוסד הבדיקה המצוין מס' 0044: TÜV NORD CERT GmbH, Am TÜV 1, 45307 Essen, Germany |

Hilti Corporation
Feldkircherstraße 100
9494 Schaan | Liechtenstein
TE 300-A36 (03)



2006/42/EC
2014/30/EU
2011/65/EU
2000/14/EC

EN 62841-1:2015, AC:2015, A11:2022
EN IEC 55014-1:2021

EN IEC 62841-2-6:2020/A11:2020
EN IEC 55014-2:2021

Schaan, 23.02.2024

Dr. Tahar Zrilli
Head of Quality and Process Management
Business Area Electric Tools & Accessories

Edward-Louis Przybyłowicz
Head of BU Power Tool & Accessories
Business Area Electric Tools & Accessories



en UK Declaration of Conformity**Declaration of conformity**

The manufacturer declares, on his sole responsibility, that the product described here complies with the applicable legislation and standards.

The technical documentation is filed here:

Hilti Entwicklungsgesellschaft mbH | Tool Certification | Hiltistrasse 6 | D-86916 Kaufering, Germany

Product information

| | |
|------------|---------------|
| Breaker | TE 300-A36 |
| Generation | 03 |
| Serial no. | 1-99999999999 |

Option: Details on 2000/14/EG

Details to Noise Emission in the Environment by Equipment for use Outdoors Regulations 2001:

| |
|---|
| Measured sound power level (L_{WA}): 103 dB(A) |
| Guaranteed sound power level ($L_{WA,G}$): 105 dB(A) |
| Conformity assessment procedure according to Annex VI UK Approved Body Nr. 0044: HORIBA MIRA Certification Ltd Watling Street, Nuneaton, Warwickshire CV10 0TU (No 0888) |

Manufacturer:

Hilti Corporation
Feldkircherstraße 100
9494 Schaan | Liechtenstein

TE 300-A36 (03)

UK Importer:

Hilti (Gt. Britain) Limited
No. 1 Circle Square, 3 Symphony Park
Manchester, England, M1 7FS



Supply of Machinery (Safety) Regulations
2008

EN 62841-1:2015, AC:2015, A11:2022

EN IEC 62841-2-6:2020/A11:2020

Electromagnetic Compatibility Regulations
2016

EN IEC 55014-1:2021

EN IEC 55014-2:2021

The Restriction of the Use of Certain
Hazardous Substances in Electrical and
Electronic Equipment Regulations 2012

Noise Emission in the Environment by
Equipment for use Outdoors Regulations 2001

Schaan, 23.02.2024

Dr. Tahar Zrilli

Head of Quality and Process Management
Business Area Electric Tools & Accessories

Edward-Louis Przybyłowicz

Head of BU Power Tool & Accessories
Business Area Electric Tools & Accessories





Hilti Corporation
LI-9494 Schaan
Tel.:+423 234 21 11
Fax:+423 234 29 65
www.hilti.group



2201961