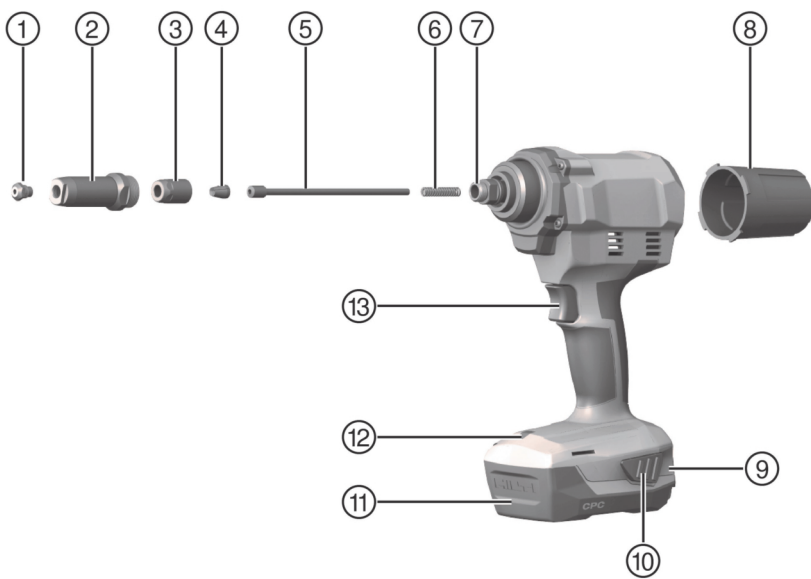




RT 6-A22

English	1
Русский	11
Українська	24
Қазақ	37
한국어	49



# RT 6-A22

en	Original operating instructions . . . . .	1
ru	Перевод оригинального руководства по эксплуатации . . . . .	11
uk	Оригінальна інструкція з експлуатації . . . . .	24
kk	Түпнұсқа пайдалану бойынша нұсқаулық . . . . .	37
ko	오리지널 사용 설명서 . . . . .	49



# Original operating instructions

## 1 Information about the operating instructions

### 1.1 About these operating instructions

- Read these operating instructions before the product is used or operated for the first time. This is a prerequisite for safe, trouble-free handling and use of the product.
- Observe the safety instructions and warnings in these operating instructions and on the product.
- Always keep the operating instructions with the product and make sure that the product is accompanied by these operating instructions only, when the product is given to other persons.

### 1.2 Explanation of symbols used

#### 1.2.1 Warnings

Warnings alert persons to hazards that occur when handling or using the product. The following signal words are used:

#### **DANGER**

##### **DANGER !**

- ▶ Draws attention to imminent danger that will lead to serious personal injury or fatality.

#### **WARNING**

##### **WARNING !**

- ▶ Draws attention to a potential threat of danger that can lead to serious injury or fatality.





#### **CAUTION**

##### **CAUTION !**

- ▶ Draws attention to a potentially dangerous situation that could lead to personal injury or damage to the equipment or other property.


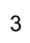

#### 1.2.2 Symbols in the documentation

The following symbols are used in this document:

	Read the operating instructions before use.
	Instructions for use and other useful information
	Dealing with recyclable materials
	Do not dispose of electric equipment and batteries as household waste

#### 1.2.3 Symbols in the illustrations

The following symbols are used in illustrations:

	These numbers refer to the corresponding illustrations found at the beginning of these operating instructions
3	The numbering reflects the sequence of operations shown in the illustrations and may deviate from the steps described in the text
	Item reference numbers are used in the <b>overview illustrations</b> and refer to the numbers used in the <b>product overview section</b>
	This symbol is intended to draw special attention to certain points when handling the product.



### 1.3 Product-dependent symbols

#### 1.3.1 Symbols on the product

The following symbols can be used on the product:

	Wear eye protection
	Wear ear protection
	Wear a hard hat
	Direct current (DC)
	The power tool supports near-field communication (NFC) technology, which is compatible with iOS and Android platforms.
Li-Ion	Li-ion battery
	<b>Hilti</b> Li-ion battery type series used. Observe the information given in the section headed <b>Intended use</b> .
	Never use the battery as a striking tool.
	Do not drop the battery. Never use a battery that has suffered an impact or is damaged in any other way.

### 1.4 Product information

products are designed for professional users and only trained, authorized personnel are permitted to operate, service and maintain the products. This personnel must be specifically informed about the possible hazards. The product and its ancillary equipment can present hazards if used incorrectly by untrained personnel or if used not in accordance with the intended use.

The type designation and serial number are printed on the rating plate.

- ▶ Write down the serial number in the table below. You will be required to state the product details when contacting Hilti Service or your local Hilti organization to inquire about the product.

#### Product information

Blind-rivet setting tool, cordless	RT 6-A22
Generation:	01
Serial number:	

### 1.5 Declaration of conformity

We declare, on our sole responsibility, that the product described here complies with the applicable directives and standards. A copy of the declaration of conformity can be found at the end of this documentation.

The technical documentation is filed here:

Hilti Entwicklungsgesellschaft mbH | Tool Certification | Hiltistrasse 6 | 86916 Kaufering, Germany

## 2 Safety

### 2.1 Safety instructions

#### 2.1.1 General power tool safety warnings

**⚠ WARNING** Read all safety warnings, instructions, illustrations and specifications provided with this power tool. Failure to follow all instructions listed below may result in electric shock, fire and/or serious injury. **Save all warnings and instructions for future reference.**

The term "power tool" in the warnings refers to your mains-operated (corded) power tool or battery-operated (cordless) power tool.

#### Work area safety

- ▶ **Keep work area clean and well lit.** Cluttered or dark areas invite accidents.



- ▶ **Do not operate power tools in explosive atmospheres, such as in the presence of flammable liquids, gases or dust.** Power tools create sparks which may ignite the dust or fumes.
- ▶ **Keep children and bystanders away while operating a power tool.** Distractions can cause you to lose control.

#### Electrical safety

- ▶ **Power tool plugs must match the outlet. Never modify the plug in any way. Do not use any adapter plugs with earthed (grounded) power tools.** Unmodified plugs and matching outlets will reduce risk of electric shock.
- ▶ **Avoid body contact with earthed or grounded surfaces, such as pipes, radiators, ranges and refrigerators.** There is an increased risk of electric shock if your body is earthed or grounded.
- ▶ **Do not expose power tools to rain or wet conditions.** Water entering a power tool will increase the risk of electric shock.
- ▶ **Do not abuse the cord. Never use the cord for carrying, pulling or unplugging the power tool. Keep cord away from heat, oil, sharp edges or moving parts.** Damaged or entangled cords increase the risk of electric shock.
- ▶ **When operating a power tool outdoors, use an extension cord suitable for outdoor use.** Use of a cord suitable for outdoor use reduces the risk of electric shock.
- ▶ **If operating a power tool in a damp location is unavoidable, use a residual current device (RCD) protected supply.** Use of an RCD reduces the risk of electric shock.

#### Personal safety

- ▶ **Stay alert, watch what you are doing and use common sense when operating a power tool. Do not use a power tool while you are tired or under the influence of drugs, alcohol or medication.** A moment of inattention while operating power tools may result in serious personal injury.
- ▶ **Use personal protective equipment. Always wear eye protection.** Protective equipment such as a dust mask, non-skid safety shoes, hard hat or hearing protection used for appropriate conditions will reduce personal injuries.
- ▶ **Prevent unintentional starting. Ensure the switch is in the off-position before connecting to power source and/or battery pack, picking up or carrying the tool.** Carrying power tools with your finger on the switch or energising power tools that have the switch on invites accidents.
- ▶ **Remove any adjusting key or wrench before turning the power tool on.** A wrench or a key left attached to a rotating part of the power tool may result in personal injury.
- ▶ **Do not overreach. Keep proper footing and balance at all times.** This enables better control of the power tool in unexpected situations.
- ▶ **Dress properly. Do not wear loose clothing or jewellery. Keep your hair and clothing away from moving parts.** Loose clothes, jewellery or long hair can be caught in moving parts.
- ▶ **If devices are provided for the connection of dust extraction and collection facilities, ensure these are connected and properly used.** Use of dust collection can reduce dust-related hazards.
- ▶ **Do not let familiarity gained from frequent use of tools allow you to become complacent and ignore tool safety principles.** A careless action can cause severe injury within a fraction of a second.

#### Power tool use and care

- ▶ **Do not force the power tool. Use the correct power tool for your application.** The correct power tool will do the job better and safer at the rate for which it was designed.
- ▶ **Do not use the power tool if the switch does not turn it on and off.** Any power tool that cannot be controlled with the switch is dangerous and must be repaired.
- ▶ **Disconnect the plug from the power source and/or remove the battery pack, if detachable, from the power tool before making any adjustments, changing accessories, or storing power tools.** Such preventive safety measures reduce the risk of starting the power tool accidentally.
- ▶ **Store idle power tools out of the reach of children and do not allow persons unfamiliar with the power tool or these instructions to operate the power tool.** Power tools are dangerous in the hands of untrained users.
- ▶ **Maintain power tools and accessories. Check for misalignment or binding of moving parts, breakage of parts and any other condition that may affect the power tool's operation. If damaged, have the power tool repaired before use.** Many accidents are caused by poorly maintained power tools.
- ▶ **Keep cutting tools sharp and clean.** Properly maintained cutting tools with sharp cutting edges are less likely to bind and are easier to control.
- ▶ **Use the power tool, accessories and tool bits etc. in accordance with these instructions, taking into account the working conditions and the work to be performed.** Use of the power tool for operations different from those intended could result in a hazardous situation.



- ▶ **Keep handles and grasping surfaces dry, clean and free from oil and grease.** Slippery handles and grasping surfaces do not allow for safe handling and control of the tool in unexpected situations.

#### **Battery tool use and care**

- ▶ **Recharge only with the charger specified by the manufacturer.** A charger that is suitable for one type of battery pack may create a risk of fire when used with another battery pack.
- ▶ **Use power tools only with specifically designated battery packs.** Use of any other battery packs may create a risk of injury and fire.
- ▶ **When battery pack is not in use, keep it away from other metal objects, like paper clips, coins, keys, nails, screws or other small metal objects, that can make a connection from one terminal to another.** Shorting the battery terminals together may cause burns or a fire.
- ▶ **Under abusive conditions, liquid may be ejected from the battery; avoid contact. If contact accidentally occurs, flush with water. If liquid contacts eyes, additionally seek medical help.** Liquid ejected from the battery may cause irritation or burns.
- ▶ **Do not use a battery pack or tool that is damaged or modified.** Damaged or modified batteries may exhibit unpredictable behaviour resulting in fire, explosion or risk of injury.
- ▶ **Do not expose a battery pack or tool to fire or excessive temperature.** Exposure to fire or temperature above 130° C (265 °F) may cause explosion.
- ▶ **Follow all charging instructions and do not charge the battery pack or tool outside the temperature range specified in the instructions.** Charging improperly or at temperatures outside the specified range may damage the battery and increase the risk of fire.

#### **Service**

- ▶ **Have your power tool serviced by a qualified repair person using only identical replacement parts.** This will ensure that the safety of the power tool is maintained.
- ▶ **Never service damaged battery packs.** Service of battery packs should only be performed by the manufacturer or authorized service providers.

#### **2.1.2 Basic safety precautions**

In addition to the safety instructions given in the various sections of these operating instructions, the following points must be strictly observed at all times.

##### **Personal safety**

- ▶ Never tamper with or modify the power tool in any way.
- ▶ Use the right tool for the job. Do not use the tool for purposes for which it was not intended. Use it only as directed and when in technically faultless condition.
- ▶ The tool is designed exclusively for setting blind rivets.
- ▶ Stay alert, watch what you are doing and use common sense when operating the tool. Do not use the tool if your full attention is not on the job.
- ▶ To reduce the risk of injury use only genuine **Hilti** accessories and spare parts or those of equivalent quality.
- ▶ Use only fasteners of a type approved for use with the tool.
- ▶ Observe the information printed in the operating instructions concerning operation, care and maintenance.
- ▶ Never point the tool toward yourself or other persons.
- ▶ Never press the nosepiece of the tool against your hand or against any other part of your body (or other person's hand or part of their body).
- ▶ Drive the fasteners into metal only. Do not attempt to drive fasteners into other materials.
- ▶ Pull the trigger only when the nosepiece of the tool is in contact with the working surface and the tool is fully compressed.
- ▶ When driving fasteners, always hold the fastening tool at right angles to the working surface in order to prevent the fastener being deflected by the surface.
- ▶ Never re-attempt to drive a fastener, because this can cause breakage.
- ▶ Keep the grips dry, clean and free from oil and grease.
- ▶ Never leave a loaded tool unattended.
- ▶ Always remove the rivet before cleaning, servicing or carrying out maintenance work on the tool.
- ▶ Never leave the tool unattended.
- ▶ Unload (remove blind rivet) the tool when it is not being used and store it in a locked, dry place where it is inaccessible to children.
- ▶ Do not disassemble the tool while it is hot. If this is unavoidable, wear protective gloves.
- ▶ Do not operate the tool when parts are damaged or when the controls do not function correctly. Have the tool repaired by **Hilti Service**.





- ▶ Do not press the switch when there is a blind rivet in the tool.
- ▶ Do not look directly into the light source (LEDs) of the power tool and do not aim the beam at other persons' faces. Risk of dazzling or eye damage.

### Safety at the workplace

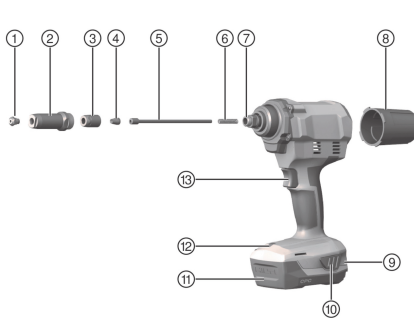
- ▶ Ensure that the working area is well lit.
- ▶ Keep the workplace tidy. Objects which could cause injury should be removed from the working area.
- ▶ Wear non-skid shoes.
- ▶ You and any other persons in the vicinity must wear suitable eye protection, a hard hat, ear protection and protective gloves while the tool is in use.
- ▶ Keep the tool and blind rivets locked away when not in use, and always keep them out of reach of children.
- ▶ Keep children and other persons away from the working area.
- ▶ Avoid unusual body positions. Keep proper footing and balance at all times.
- ▶ Before driving fasteners, check that no one is present on the other side of the sheet metal to be fastened.
- ▶ Take the influences of the surrounding area into account. Do not use the tool where there is a risk of fire or explosion.

### 2.1.3 Careful handling and use of batteries

- ▶ Observe the special guidelines applicable to the transport, storage and use of lithium-ion batteries.
- ▶ Do not expose batteries to high temperatures, direct sunlight or fire.
- ▶ Do not disassemble, crush or incinerate batteries and do not subject them to temperatures over 80 °C (176 °F).
- ▶ Do not use or charge batteries that have suffered mechanical impact, have been dropped from a height or show signs of damage. In this case, always contact your **Hilti Service**.
- ▶ If the battery is too hot to touch it may be defective. Put the battery in a place where it is clearly visible and where there is no risk of fire, at an adequate distance from flammable materials. Allow the battery to cool down. If it is still too hot to touch after an hour, the battery is faulty. Contact **Hilti Service**.

## 3 Description

### 3.1 Overview of the product



- ① Nosepiece
- ② Steel sleeve
- ③ Jaw housing
- ④ Jaws
- ⑤ Jaw pusher
- ⑥ Pressure spring
- ⑦ Adapter
- ⑧ Mandrel container
- ⑨ Battery charge-status and fault indicator
- ⑩ Battery release buttons (also used to activate the charge status indicator)
- ⑪ Battery
- ⑫ Light source / overload LED
- ⑬ Switch

### 3.2 Items supplied

Blind-rivet setting tool, 4 nosepieces, wrench, removable mandrel container, operating instructions.  
Other system products approved for use with this product can be found at your local **Hilti Store** or at: [www.hilti.group](http://www.hilti.group)

### 3.3 Intended use

The product described is a hand-held cordless blind-rivet setting tool.

- ▶ Use only **Hilti** Li-ion batteries of the B22 series with this product.
- ▶ Use only **Hilti** battery chargers of the C4/36 series for these batteries.



### 3.4 Lithium-ion battery status display

The Li-ion battery state of charge and malfunctions of the power tool are indicated by the display on the Li-ion battery. The Li-ion battery state of charge is displayed after pressing one of the two battery release buttons.

Status	Meaning
4 LEDs light.	State of charge: 75 % to 100 %
3 LEDs light.	State of charge: 50 % to 75 %
2 LEDs light.	State of charge: 25 % to 50 %
1 LED lights.	State of charge: 10 % to 25 %
1 LED flashes.	State of charge: < 10 %
1 LED flashes, the power tool is not in working order.	The battery has overheated or is completely discharged.
4 LEDs flash, the power tool is not in working order.	The power tool is overloaded or has overheated.

Battery state of charge cannot be displayed while the control switch is pressed and for up to 5 seconds after releasing the control switch.

If the battery display LEDs flash, please observe the instructions given in the Troubleshooting section.

### 3.5 Overload protection

If an overload occurs the tool switches off automatically and the overload LED flashes for 10 seconds.

The tool cannot be used during this time. Overloading is generally caused by residues in the jaw mechanism, which has to be cleaned accordingly. Follow the instructions on removing residues in the section on care and maintenance. The tool should start working again once the blockage has been removed.

## 4 Technical data

	RT 6-A22
Rated voltage	21.6 V
Weight in accordance with EPTA Procedure 01 including B228.0 battery	2.7 kg
Stroke length	25 mm

### 4.1 Battery

Battery operating voltage	21.6 V
Ambient temperature for operation	-17 °C ... 60 °C
Storage temperature	-20 °C ... 40 °C
Battery charging starting temperature	-10 °C ... 45 °C

### 4.2 Noise information and vibration values in accordance with EN 62841

The sound pressure and vibration values given in these instructions were measured in accordance with a standardized test and can be used to compare one power tool with another. They can also be used for a preliminary assessment of exposure.

The data given represent the main applications of the power tool. However, if the power tool is used for different applications, with different accessory tools, or is poorly maintained, the data can vary. This can significantly increase exposure over the total working period.

An accurate estimation of exposure should also take into account the times when the tool is switched off, or when it is running but not actually being used for a job. This can significantly reduce exposure over the total working period.

Identify additional safety measures to protect the operator from the effects of noise and/or vibration, for example: maintaining the power tool and accessory tools, keeping the hands warm, organization of work patterns.



## Noise information

	RT 6-A22
Sound power level LWA	98.9 dB(A)
Uncertainty for the sound power level KWA	3 dB(A)
Emission sound pressure level LpA	85.9 dB(A)
Uncertainty for the sound pressure level KpA	3 dB(A)

## Vibration information

	RT 6-A22
Vibration value ah,D	0.94 m/s <sup>2</sup>
Uncertainty for the given vibration value K	0.033 m/s <sup>2</sup>

### 4.3 Table correlating nosepieces and blind rivets to be used

Nosepiece designation	Blind rivet diameter, all commercially available materials
RTN 2.4, NP 2.4	2.4 mm
RTN 3.2, NP 3.2	3.2 mm
RTN 4.0, NP 4.0	4.0 mm
RTN 4.8, NP 4.8	4.8 mm 5.0 mm (aluminum blind rivets only)

## 5 Preparations at the workplace

### 5.1 Preparations at the workplace

#### WARNING

##### Risk of injury by inadvertent starting!

- ▶ Before inserting the battery, make sure that the product is switched off.
- ▶ Remove the battery before making any adjustments to the power tool or before changing accessories.

Observe the safety instructions and warnings in this documentation and on the product.

#### 5.1.1 Charging the battery

1. Before charging the battery, read the operating instructions for the charger.
2. Make sure that the contacts on the battery and the contacts on the charger are clean and dry.
3. Use an approved charger to charge the battery. 5

#### 5.1.2 Inserting the battery

#### WARNING

##### Risk of injury by short circuit or falling battery!

- ▶ Before inserting the battery, make sure that the contacts on the battery and the contacts on the product are free of foreign matter.
- ▶ Make sure that the battery always engages correctly.

1. Charge the battery fully before using it for the first time.
2. Push the battery into the product until it engages with an audible click.
3. Check that the battery is seated securely.

#### 5.1.3 Removing the battery

1. Press the battery release buttons.
2. Remove the battery from the tool.



### 5.1.4 Changing the nosepiece




#### CAUTION

**Risk of injury** A blind rivet can injure you.

- ▶ Make sure there is no blind rivet in the fastening tool.
1. Press and hold down the switch.
  2. Use a ring wrench of the correct size (12 mm) to slacken the nosepiece and unscrew it.
  3. Screw the new nosepiece into position.
  4. Use a ring wrench of the correct size to tighten the nosepiece.

## 6 Types of work

### 6.1 Setting a blind rivet

1. Install the correct nosepiece for the rivet diameter you are going to use.
  2. Insert the blind rivet into the nosepiece.
  3. Hold the product in position on the workpiece.
- 
-  Only predrilled workpieces can be riveted.
4. Briefly press the switch to set the blind rivet.
  5. Tilt the product to the rear so that the sheared rivet mandrel can drop into the mandrel container.

### 6.2 Emptying the mandrel container



#### CAUTION

**Damage to property** The jaw pusher can be damaged and the rivet can jam.

- ▶ Empty the mandrel container at regular intervals (at the latest after every 50 fastener-driving operations).
1. Turn the mandrel container counter-clockwise to remove.
  2. Empty the mandrel container.
  3. Screw the mandrel container back on to the product.

## 7 Care and maintenance of the product

### 7.1 Removal of metallic residues

1. Use an open-ended wrench of the correct size (24 mm) to slacken the steel sleeve.
2. Completely unscrew the steel sleeve.
3. Carefully tap all residues out of the steel sleeve.
4. Unscrew the nosepiece and with a cloth, rub the steel sleeve until no traces of metallic residues remain.
5. Screw the nosepiece on again.
6. Use a ring wrench of the correct size (17 mm) to open the jaw housing and unscrew it completely.
7. Remove the three-part jaw assembly (jaws).
8. Carefully tap all residues out of the jaw housing.
9. Use a cloth sprayed with rust inhibitor to rub the jaw housing and the jaws until no traces of metallic residues remain.



Replace the jaws if they are worn.

10. Now remove the jaw pusher and its spring.
11. Clean the jaw pusher and the spring with a cloth.
12. Clean the adapter with a cloth.
13. Use a 15 mm wrench to make sure that the connecting shaft is secure.
14. Reinsert all the parts in the reverse of the disassembly procedure.



In this process, coat the jaw pusher and the jaw housing on the outside with a **Hilti** grease.  
Spray a drop of oil into the jaw housing.



15. Tighten the steel sleeve with an open-ended wrench of the correct size (24 mm).

### 7.2 Removal of metal parts from the jaw housing

1. Use an open-ended wrench of the correct size (24 mm) to slacken the steel sleeve.
2. Completely unscrew the steel sleeve.
3. Carefully tap all residues out of the steel sleeve.
4. Use a ring wrench of the correct size (17 mm) to slacken the jaw housing and unscrew it completely.
5. Carefully tap all residues out of the jaw housing.
  - ▶ This causes the three-part jaw assembly and the metal parts to fall out.
6. Reinsert all the parts in the reverse of the disassembly procedure.



Spray a drop of oil into the jaw housing.

7. Tighten the steel sleeve with an open-ended wrench of the correct size (24 mm).

### 7.3 Check of jaw housing correct seating

1. Use an open-ended wrench of the correct size to slacken the steel sleeve.
2. Completely unscrew the steel sleeve.
3. Check that the jaw housing is seated correctly.
4. If applicable, completely screw the jaw housing back on to the adapter.
5. Screw the sleeve on again.
6. Use an open-ended wrench of the correct size to tighten the steel sleeve.

### 7.4 Care and maintenance



#### WARNING

#### Risk of injury with battery inserted !

- ▶ Always remove the battery before carrying out care and maintenance tasks!

#### Care of the product

- Carefully remove stubborn dirt.
- Carefully clean the air vents, if present, with a dry, soft brush.
- Use only a slightly damp cloth to clean the housing. Do not use cleaning agents containing silicone as these can attack the plastic parts.
- Use a dry, clean cloth to clean the contacts of the product.

#### Care of the Li-ion batteries

- Never use a battery with clogged air vents. Clean the air vents carefully using a dry, soft brush.
- Avoid unnecessary exposure of the battery to dust and dirt. Never expose the battery to high levels of moisture (e.g. by being dipped in water or left in the rain).  
If a battery has been soaked by moisture, treat it as a damaged battery. Isolate it in a non-flammable container and consult **Hilti Service**.
- Keep the battery free of extraneous oil and grease. Do not permit dust or dirt to accumulate unnecessarily on the battery. Clean the battery with a dry, soft brush or a clean, dry cloth. Do not use cleaning agents containing silicone as these can attack the plastic parts.  
Do not touch the contacts of the battery and do not remove the factory-applied grease from the contacts.
- Use only a slightly damp cloth to clean the housing. Do not use cleaning agents containing silicone as these can attack the plastic parts.

#### Maintenance

- Check all visible parts and controls for signs of damage at regular intervals and make sure that they all function correctly.
- Do not use the product if signs of damage are found or if parts malfunction. Immediately have the product repaired by **Hilti Service**.
- After cleaning and maintenance, install all guards and protective devices and check that they are in full working order.



**i** To help ensure safe and reliable operation, use only genuine Hilti spare parts and consumables. Spare parts, consumables and accessories approved by Hilti for use with your product can be found at your **Hilti Store** or online at: [www.hilti.group](http://www.hilti.group)

## 8 Transport and storage of cordless tools and batteries

### Transport

#### CAUTION

#### Accidental starting during transport !

- ▶ Always transport your products with the batteries removed!
- ▶ Remove the battery/batteries.
- ▶ Never transport batteries loose and unprotected. During transport, batteries should be protected from excessive shock and vibration and isolated from any conductive materials or other batteries that may come in contact with the terminals and cause a short circuit. **Comply with the locally applicable regulations for transporting batteries.**
- ▶ Do not send batteries through the mail. Consult your shipper for instructions on how to ship undamaged batteries.
- ▶ Prior to each use and before and after prolonged transport, check the product and the batteries for damage.

### Storage

#### WARNING

#### Accidental damage caused by defective or leaking batteries !

- ▶ Always store your products with the batteries removed!
- ▶ Store the product and the batteries in a cool and dry place. Comply with the temperature limits stated in the technical data.
- ▶ Do not store batteries on the charger. Always remove the battery from the charger when the charging operation has completed.
- ▶ Never leave batteries in direct sunlight, on sources of heat, or behind glass.
- ▶ Store the product and batteries where they cannot be accessed by children or unauthorized persons.
- ▶ Prior to each use and before and after prolonged storage, check the product and the batteries for damage.

## 9 Troubleshooting

If the trouble you are experiencing is not listed in this table or you are unable to remedy the problem by yourself, please contact **Hilti Service**.

### 9.1 Blind-rivet setting tool is not in working order

Malfunction	Possible cause	Action to be taken
The LEDs do not light up.	The battery is not fully inserted.	▶ Push the battery in until it engages with a click.
	Battery is discharged.	▶ Change the battery and charge the empty battery.
	The battery is too hot or too cold.	▶ Bring the battery to the recommended working temperature.
1 LED flashes.	Battery is discharged.	▶ Change the battery and charge the empty battery.
	The battery is too hot or too cold.	▶ Bring the battery to the recommended working temperature.
4 LEDs flash.	Product momentarily overloaded.	▶ Release the control switch and then press it again.
	Protection against overheating.	▶ Allow the product to cool down and clean the air vents.
	Overload protection.	▶ Remove metallic residues . 8



Malfunction	Possible cause	Action to be taken
Blind rivet is not set.	Battery is discharged.	► Change the battery and charge the empty battery.
	Jaws are dirty or worn.	► Clean the jaws or, if applicable, replace them.
	Jaw housing not correctly screwed on.	► Screw the jaw housing on correctly . 9
	Spring weak or defective.	► Replace the spring . 8
No rivet mandrel disposal.	Use of the wrong nosepiece.	► Change the nosepiece . 8
	Nosepiece is worn.	► Change the nosepiece . 8
	Rivet mandrel wedged in jaws.	► Remove the rivet-mandrel residues from the jaw housing . 9
	Steel sleeve is dirty.	► Clean the steel sleeve . 8
	Mandrel container is full.	► Empty the mandrel container . 8

## 10 Disposal

Most of the materials from which **Hilti** tools and appliances are manufactured can be recycled. The materials must be correctly separated before they can be recycled. In many countries, your old tools, machines or appliances can be returned to **Hilti** for recycling. Ask **Hilti** Service or your Hilti representative for further information.



- Do not dispose of power tools, electronic equipment or batteries as household waste!

## 11 RoHS (Restriction of Hazardous Substances)

Click on the link to go to the table of hazardous substances: [qr.hilti.com/r9615527](http://qr.hilti.com/r9615527).

There is a link to the RoHS table, in the form of a QR code, at the end of this document.

## 12 Manufacturer's warranty

- Please contact your local **Hilti** representative if you have questions about the warranty conditions.

# Перевод оригинального руководства по эксплуатации

## 1 Данные руководства по эксплуатации

### 1.1 Об этом документе



#### Импортер и уполномоченная изготовителем организация

- (RU) Российская Федерация  
АО "Хилти Дистрибьюшн ЛТД", 141402, Московская область, г. Химки, ул. Ленинградская, стр. 25, комната 15.26
- (BY) Республика Беларусь  
ИООО "Хилти БиУай", 222750, Минская область, Дзержинский район, Р-1, 18-й км, 2 (около д. Слободка), помещение 1-34
- (KZ) Республика Казахстан  
ТОО "Хилти Казахстан", 050057, г. Алматы, Бостандыкский район, ул. Тимирязева, дом 42/15, литер 012 (корпус15)



- (AM) Республика Армения  
ООО "ЭЙЧ-КОН", 0070, г. Ереван, ул. Ерванда Кочара 19/28

Страна производства: см. маркировочную табличку на оборудовании.

Дата производства: см. маркировочную табличку на оборудовании.

Соответствующий сертификат можно найти по адресу: [www.hilti.ru](http://www.hilti.ru)

Специальных требований к условиям хранения, транспортировки и использования, кроме указанных в руководстве по эксплуатации, нет.

Срок службы изделия составляет 5 лет.

- Перед началом работы изучите это руководство по эксплуатации. Это является залогом безопасной и бесперебойной работы.
- Соблюдайте указания по технике безопасности и предупреждающие указания, приведенные в этом руководстве по эксплуатации и на устройстве.
- Всегда храните руководство по эксплуатации рядом с устройством и передавайте устройство другим людям только вместе с этим руководством по эксплуатации.

## 1.2 Пояснение к знакам (условным обозначениям)

### 1.2.1 Предупреждающие указания

Предупреждающие указания служат для предупреждения об опасностях при обращении с машиной. Используются следующие сигнальные слова:

#### **ОПАСНО**

##### **ОПАСНО !**

- ▶ Общее обозначение непосредственной опасной ситуации, которая влечет за собой тяжелые травмы или смертельный исход.

#### **ПРЕДУПРЕЖДЕНИЕ**

##### **ПРЕДУПРЕЖДЕНИЕ !**

- ▶ Общее обозначение потенциально опасной ситуации, которая может повлечь за собой тяжелые травмы или смертельный исход.





#### **ОСТОРОЖНО**

##### **ОСТОРОЖНО !**

- ▶ Общее обозначение потенциально опасной ситуации, которая может повлечь за собой травмы или повреждение оборудования (материальный ущерб).


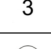

### 1.2.2 Символы, используемые в руководстве

В этом руководстве используются следующие символы:

	Перед использованием прочтите руководство по эксплуатации.
	Указания по эксплуатации и другая полезная информация
	Обращение с материалами, пригодными для вторичной переработки
	Не выбрасывайте электроустройства и аккумуляторы вместе с обычным мусором!

### 1.2.3 Символы на изображениях

На изображениях используются следующие символы:

	Эти цифры указывают на соответствующее изображение в начале данного руководства.
	Нумерация на изображениях отображает порядок выполнения рабочих операций и может отличаться от нумерации, используемой в тексте.
	Номера позиций используются в <b>обзорном</b> изображении. В <b>обзоре изделия</b> они указывают на номера в экспликации.







Этот знак должен привлечь особое внимание пользователя при обращении с изделием.

### 1.3 Символы в зависимости от изделия

#### 1.3.1 Символы на изделии

На изделии могут использоваться следующие символы:

	Используйте защитные очки
	Используйте защитные наушники
	Используйте защитную каску
	Постоянный ток
	Устройство поддерживает технологию NFC, совместимую с платформами iOS и Android.
Li-Ion	Литий-ионный аккумулятор
	Серия используемых литий-ионных аккумуляторов Hilti. Соблюдайте указания, приведенные в главе <b>Использование по назначению</b> .
	Никогда не используйте аккумулятор в качестве ударного инструмента.
	Не допускайте падения аккумулятора. Не используйте аккумулятор, который получил повреждения вследствие удара или каким-либо иным образом.

### 1.4 Информация об изделии

Изделия предназначены для профессионального использования, поэтому они должны обслуживаться и ремонтироваться только уполномоченным и обученным персоналом. Этот персонал должен пройти специальный инструктаж по технике безопасности. Использование изделия и его осанстки не по назначению или его эксплуатация необученным персоналом могут представлять опасность.

Типовое обозначение и серийный номер указаны на заводской табличке.

- ▶ Перепишите серийный номер в нижеприведенную табличную форму. Данные изделия необходимы при обращении в наше представительство или сервисный центр.

#### Указания к изделию

Инструмент для монтажа глухих заклепок, аккумуляторный	RT 6-A22
Поколение:	01
Серийный номер:	

### 1.5 Декларация соответствия нормам

Настоящим мы с полной ответственностью заявляем, что данное изделие соответствует действующим директивам и нормам. Копию декларации соответствия нормам см. в конце этого документа.

Техническая документация (оригиналы) хранится здесь:

Hilti Entwicklungsgesellschaft mbH | Zulassung Geräte | Hiltistraße 6 | 86916 Kaufering, Германия

## 2 Безопасность

### 2.1 Указания по технике безопасности

#### 2.1.1 Общие указания по технике безопасности для электроинструментов

**ПРЕДУПРЕЖДЕНИЕ** Изучите все указания по технике безопасности, инструкции, иллюстрации и технические данные, которые прилагаются к данному электроинструменту. Несоблюдение приводимых ниже указаний может привести к поражению электрическим током, пожару и/или тяжелым травмам.



Сохраните все указания по технике безопасности и инструкции для следующего пользователя.

Используемый далее термин «электроинструмент» относится к электроинструменту, работающему от электрической сети (с кабелем электропитания) и от аккумулятора (без кабеля электропитания).

### Безопасность рабочего места

- ▶ Следите за чистотой и хорошей освещенностью на рабочем месте. Беспорядок на рабочем месте или плохое освещение могут привести к несчастным случаям.
- ▶ Не используйте электроустройство/электроинструмент во взрывоопасной зоне, где имеются горючие жидкости, газы или пыль. При работе электроустройство/электроинструмент искрит, и искры могут воспламенить пыль или пары/газы.
- ▶ Не разрешайте детям и посторонним приближаться к работающему электроустройству/электроинструменту. Отвлекаясь от работы, можно потерять контроль над электроустройством/электроинструментом.

### Электрическая безопасность

- ▶ Соединительная вилка электроинструмента должна соответствовать розетке электросети. Не изменяйте конструкцию вилки! Не используйте переходные вилки с электроинструментами с защитным заземлением. Использование оригинальных вилок и соответствующих им розеток снижает риск поражения электрическим током.
- ▶ Избегайте непосредственного контакта с заземленными поверхностями, например с трубами, отопительными приборами, газо-/электропластинами и холодильниками. При контакте с заземленными предметами возникает повышенный риск поражения электрическим током.
- ▶ Предохраняйте электроинструменты от дождя или воздействия влаги. В результате попадания воды в электроинструмент возрастает риск поражения электрическим током.
- ▶ Не используйте кабель электропитания не по назначению, например для переноски электроинструмента, его подвешивания или для выдергивания вилки из розетки электросети. Защищайте кабель электропитания от воздействий высоких температур, масла, острых кромок или вращающихся деталей/узлов. В результате повреждения или схлестывания кабелей электропитания повышается риск поражения электрическим током.
- ▶ Если работы с электроинструментом выполняются на открытом воздухе, применяйте только удлинительные кабели, которые разрешено использовать вне помещений. Использование удлинительного кабеля, пригодного для использования вне помещений, снижает риск поражения электрическим током.
- ▶ Если избежать работы с электроинструментом в условиях влажности не представляется возможным, используйте автомат защиты от тока утечки. Использование автомата защиты от тока утечки снижает риск поражения электрическим током.

### Безопасность персонала

- ▶ Будьте внимательны, следите за своими действиями и серьезно относитесь к работе с электроинструментом. Не пользуйтесь электроинструментом, если вы устали или находитесь под действием наркотиков, алкоголя или медикаментов. Незначительная ошибка при невнимательной работе с электроинструментом может стать причиной серьезного травмирования.
- ▶ Используйте средства индивидуальной защиты и всегда надевайте защитные очки. Использование средств индивидуальной защиты, например респиратора, защитной обуви на нескользящей подошве, защитной каски или защитных наушников, в зависимости от вида и условий эксплуатации электроинструмента, снижает риск травмирования.
- ▶ Избегайте непреднамеренного включения электроинструмента. Убедитесь в том, что электроинструмент выключен, прежде чем подключить его к электропитанию и/или вставить аккумулятор, поднимать или переносить электроинструмент. Ситуации, когда при переноске электроинструмента палец находится на выключателе или когда выключенный электроинструмент подключается к электросети, могут привести к несчастным случаям.
- ▶ Перед включением электроинструмента удалите регулировочные приспособления или гаечные ключи. Рабочий инструмент или гаечный ключ, находящийся во вращающейся части электроинструмента, может стать причиной получения травм.
- ▶ Старайтесь избегать неестественных поз при работе. Постоянно сохраняйте устойчивое положение и равновесие. Это позволит лучше контролировать электроинструмент в непредвиденных ситуациях.
- ▶ Носите спецодежду. Не надевайте очень свободную одежду или украшения. Оберегайте волосы, одежду и защитные перчатки от вращающихся узлов электроинструмента. Свободная одежда, украшения и длинные волосы могут быть захвачены ими.
- ▶ Если предусмотрено подсоединение устройств для удаления и сбора пыли, убедитесь в том, что они подсоединены и используются по назначению. Использование пылеудаляющего аппарата снижает вредное воздействие пыли.



- ▶ **Не пребывайте в ложной уверенности в собственной безопасности и не пренебрегайте правилами техники безопасности для электроинструментов, даже если вы являетесь опытным пользователем электроинструмента.** Неосторожное обращение может в течение долей секунды стать причиной получения тяжелых травм.

#### Использование и обслуживание электроинструмента

- ▶ **Не допускайте перегрузки электроинструмента. Используйте электроинструмент, предназначенный именно для данной работы.** Соблюдение этого правила обеспечит более высокое качество и безопасность работы в указанном диапазоне мощности.
- ▶ **Не используйте электроинструмент с неисправным выключателем.** Электроинструмент, включение или выключение которого затруднено, представляет опасность и должен быть отремонтирован.
- ▶ **Прежде чем приступить к регулировке электроинструмента, замене принадлежностей или перед перерывом в работе выньте вилку из розетки и/или аккумулятор из электроинструмента.** Данная мера предосторожности позволит предотвратить непреднамеренное включение электроинструмента.
- ▶ **Храните неиспользуемые электроинструменты в местах, недоступных для детей. Не позволяйте использовать электроинструмент лицам, которые не ознакомлены с ним или не читали эти инструкции.** Электроинструменты представляют собой опасность в руках неопытных пользователей.
- ▶ **Бережно обращайтесь с электроинструментами и принадлежностями. Проверяйте безупречное функционирование подвижных частей, легкость их хода, целостность и отсутствие повреждений, которые могли бы отрицательно повлиять на работу электроинструмента. Сдавайте поврежденные части электроинструмента в ремонт до его использования.** Причиной многих несчастных случаев является несоблюдение правил технического обслуживания электроинструментов.
- ▶ **Необходимо следить за тем, чтобы режущие инструменты были острыми и чистыми.** Заклинивание содержащихся в надлежащем состоянии режущих инструментов происходит реже, ими легче управлять.
- ▶ **Применяйте электроинструмент, принадлежности (оснастку), рабочие инструменты и т. д. согласно данным указаниям. Учитывайте при этом рабочие условия и характер выполняемой работы.** Использование электроинструментов не по назначению может привести к опасным ситуациям.
- ▶ **Замасленные рукоятки и поверхности для хвата немедленно очищайте — они должны быть сухими и чистыми.** Скользкие рукоятки и поверхности для хвата не обеспечивают безопасное управление и контроль электроинструмента в непредвиденных ситуациях.

#### Использование и обслуживание аккумуляторного инструмента

- ▶ **Заряжайте аккумуляторы только с помощью зарядных устройств, рекомендованных изготовителем.** При использовании зарядного устройства для зарядки несоответствующих ему типов аккумуляторов существует опасность возгорания.
- ▶ **Используйте только оригинальные аккумуляторы, рекомендованные специально для этого электроинструмента.** Использование других аккумуляторов может привести к травмам и опасности возгорания.
- ▶ **Неиспользуемые аккумуляторы храните вдали от скрепок, монет, ключей, гвоздей, шурупов или других мелких металлических предметов, которые могут стать причиной замыкания контактов.** Замыкание контактов аккумулятора может привести к ожогам или возгоранию.
- ▶ **При неверном обращении с аккумулятором из него может вытечь электролит. Избегайте контакта с ним. При случайном контакте смойте водой. При попадании электролита в глаза немедленно обратитесь за помощью к врачу.** Вытекший из аккумулятора электролит может привести к раздражению кожи или ожогам.
- ▶ **Не используйте поврежденный или измененный аккумулятор.** Поврежденные или измененные аккумуляторы могут функционировать непредсказуемо и стать причиной возгорания, взрыва или травмирования.
- ▶ **Не подвергайте аккумулятор воздействию огня или слишком высоких температур.** Огонь или температура свыше 130 °C могут спровоцировать взрыв аккумулятора.
- ▶ **Соблюдайте все указания по зарядке и никогда не заряжайте аккумулятор или аккумуляторный инструмент вне температурного диапазона, указанного в руководстве по эксплуатации.** Неправильная зарядка/зарядка вне указанного в руководстве по эксплуатации температурного диапазона могут привести к разрушению аккумулятора и повышают опасность возгорания.



**Сервис**

- ▶ **Доверяйте ремонт своего электроинструмента только квалифицированному персоналу, использующему только оригинальные запчасти.** Этим обеспечивается поддержание электроинструмента в безопасном состоянии.
- ▶ **Категорически запрещается выполнять обслуживание поврежденных аккумуляторов.** Все технические работы с аккумуляторами должны выполняться только производителем или авторизованными сервисными мастерами.

**2.1.2 Основные меры безопасности**

Наряду с общими указаниями по технике безопасности, приведенными в отдельных главах настоящего руководства по эксплуатации, необходимо соблюдать следующие ниже указания.

**Безопасность персонала**

- ▶ Внесение изменений в конструкцию электроинструмента или его модификация категорически запрещаются.
- ▶ Используйте электроинструмент в соответствии с его техническими характеристиками. Применяйте электроинструмент только по назначению и только в технически исправном состоянии.
- ▶ Электроинструмент предназначен только для работы с глухими заклепками.
- ▶ Будьте внимательны, следите за своими действиями и серьезно относитесь к работе с электроинструментом. Прекратите работу, если вас что-либо отвлекает.
- ▶ Во избежание травм и повреждений электроинструмента используйте только оригинальную оснастку и запасные части производства **Hilti** или других изготовителей, но аналогичного качества.
- ▶ Для монтажа с помощью этого электроинструмента используйте только подходящие и разрешенные крепежные элементы.
- ▶ Соблюдайте предписания по эксплуатации, уходу и техническому обслуживанию электроинструмента, приведенные в настоящем руководстве по эксплуатации.
- ▶ Не направляйте электроинструмент на себя или на других лиц.
- ▶ Не прижимайте электроинструмент к руке или другим частям тела (или к другим людям).
- ▶ Монтаж крепежных элементов (заклепок) выполняйте только на металлическом основании. Не пытайтесь забивать заклепки на других основаниях.
- ▶ Нажимайте на спусковой крючок только если электроинструмент полностью прижат к основанию.
- ▶ При забивании всегда держите электроинструмент под прямым углом к основанию во избежание схода крепежного элемента с поверхности основания.
- ▶ Не делайте попыток дозавить заклепку вторым забиванием. Это может привести к ее разрушению.
- ▶ Рукоятки электроинструмента должны быть сухими и чистыми, не замасленными.
- ▶ Никогда не оставляйте заряженный электроинструмент без присмотра.
- ▶ Перед выполнением работ по очистке, сервисному и профилактическому обслуживанию всегда извлекайте глухую заклепку.
- ▶ Никогда не оставляйте электроинструмент без присмотра.
- ▶ Неиспользуемые электроинструменты храните в разряженном состоянии (без глухой заклепки) в сухом и недоступном (закрываемом на замок) для детей месте.
- ▶ Не разбирайте электроинструмент, если он горячий; в противном случае надевайте защитные перчатки.
- ▶ Никогда не работайте с электроинструментом, если у него есть повреждения или неисправно работают элементы управления. Сдайте электроинструмент для ремонта в сервисный центр **Hilti**.
- ▶ Не нажимайте выключатель, если глухая заклепка находится в электроинструменте.
- ▶ Запрещается прямой визуальный контакт со светодиодной подсветкой электроинструмента! Не светите в лицо другим людям — опасность временного ослепления!

**Техника безопасности на рабочем месте**

- ▶ Обеспечьте хорошее освещение рабочей зоны.
- ▶ Содержите рабочую зону в порядке. В месте проведения работ не должно быть предметов, о которые можно пораниться.
- ▶ Носите обувь с нескользящей подошвой.
- ▶ Пользователь и находящиеся вблизи лица во время выполнения работ должны носить подходящие защитные очки, защитную каску, защитные наушники и защитные перчатки.
- ▶ При неиспользовании электроинструмента храните его и глухие заклепки под замком и в недоступном для детей месте.
- ▶ Не допускайте детей и посторонних лиц в рабочую зону.
- ▶ Не работайте в неудобных позах. Постоянно сохраняйте устойчивое положение и равновесие.



- ▶ Перед забиванием крепежных элементов убедитесь в отсутствии людей с обратной стороны скрепляемых металлических листов.
- ▶ Учитывайте влияние окружающей среды. Не используйте электроинструмент там, где существует опасность пожара или взрыва.

### 2.1.3 Аккуратное обращение с аккумуляторами и их правильное использование

- ▶ Соблюдайте специальные предписания по транспортировке, хранению и эксплуатации литий-ионных аккумуляторов.
- ▶ Храните аккумуляторы на безопасном расстоянии от источников высокой температуры/огня и не подвергайте их прямому воздействию солнечного излучения.
- ▶ Запрещается разбирать, сдавливать, нагревать до температуры свыше 80 °C или сжигать аккумуляторы.
- ▶ Не используйте или не заряжайте аккумуляторы, которые подвергались ударам, падали с высоты более одного метра или получали какие-либо иные повреждения. При возникновении такой ситуации всегда обращайтесь в ближайший **сервисный центр Hilti**.
- ▶ Слишком сильный нагрев аккумулятора (такой, что до него невозможно дотронуться) указывает на его возможный дефект. Разместите аккумулятор на безопасном расстоянии от воспламеняющихся материалов в хорошо просматриваемом и пожаробезопасном месте. Дайте остыть аккумулятору. Если по истечении одного часа аккумулятор все еще остается таким горячим, что его нельзя взять в руки, это означает, что он неисправен. Свяжитесь с сервисной службой **Hilti**.

## 3 Описание

### 3.1 Обзор изделия 1



### 3.2 Комплект поставки

Инструмент для монтажа глухих заклепок, 4 мундштука, ключ, съемный сборник, руководство по эксплуатации.

Другие системные принадлежности, допущенные для использования с этим изделием, вы можете найти в **Hilti Store** или на сайте [www.hilti.group](http://www.hilti.group).

### 3.3 Использование по назначению

Этот инструмент представляет собой ручной аккумуляторный электроинструмент для монтажа (забивания) глухих заклепок.

- ▶ Для этого электроинструмента используйте только литий-ионные аккумуляторы **Hilti** серии B22.
- ▶ Для зарядки этих аккумуляторов используйте только зарядные устройства **Hilti** серии C4/36.

### 3.4 Индикатор состояния литий-ионного аккумулятора

Уровень заряда литий-ионного аккумулятора и сбои в работе электроинструмента сигнализируются посредством индикатора состояния литий-ионного аккумулятора. Уровень заряда литий-ионного аккумулятора отображается после нажатия одной из двух кнопок деблокировки аккумулятора.



Состояние	Значение
Горят четыре светодиода.	Уровень заряда: от 75 % до 100 %
Горят три светодиода.	Уровень заряда: от 50 % до 75 %
Горят два светодиода.	Уровень заряда: от 25 % до 50 %
Горит один светодиод.	Уровень заряда: от 10 % до 25 %
Мигает один светодиод.	Уровень заряда: < 10 %
Мигает один светодиод, электроинструмент не готов к работе.	Аккумулятор перегрет или полностью разряжен.
Мигают четыре светодиода, электроинструмент не готов к работе.	Электроинструмент перегружен или перегрет.



При нажатом выключателе и в течение макс. 5 с после его отпущения запрос уровня заряда невозможен.

При мигании светодиодов индикации состояния аккумулятора следуйте указаниям из главы «Помощь при неисправностях».

### 3.5 Система защиты от перегрузки электродвигателя

В случае перегрузки электроинструмент автоматически отключается и светодиод перегрузки мигает в течение следующих 10 с.



В это время использование электроинструмента невозможно. Как правило, перегрузка обусловлена наличием металлических остатков в патроне, который, соответственно, подлежит очистке. Для этого следуйте указаниям по удалению металлических остатков в главе «Уход и ремонт». После успешного устранения причины блокировки электроинструмент вновь готов к использованию.

## 4 Технические данные

	RT 6-A22
Номинальное напряжение	21,6 В
Масса по EPTA Procedure 01 с аккумулятором B22/8.0	2,7 кг
Длина хода	25 мм

### 4.1 Аккумулятор

Рабочее напряжение аккумулятора	21,6 В
Температура окружающей среды при эксплуатации	-17 °C ... 60 °C
Температура хранения	-20 °C ... 40 °C
Температура аккумулятора в начале зарядки	-10 °C ... 45 °C

### 4.2 Данные по шуму и вибрациям согласно EN 62841

Приводимые здесь значения уровня звукового давления и вибрации были измерены согласно стандартизированной процедуре измерения и могут использоваться для сравнения электроинструментов между собой. Они также подходят для предварительной оценки вредных воздействий.

Указанные данные применимы к основным областям применения электроинструмента. Однако, если электроинструмент используется для других целей, с другими рабочими (сменными) инструментами или в случае его неудовлетворительного технического обслуживания, данные могут быть иными. Вследствие этого в течение всего периода работы электроинструмента возможно значительное увеличение вредных воздействий.

Для точного определения вредных воздействий следует также учитывать промежутки времени, в течение которых электроинструмент находится в выключенном состоянии или работает вхолостую. Вследствие этого в течение всего периода работы электроинструмента возможно заметное уменьшение вредных воздействий.

Примите дополнительные меры безопасности для защиты пользователя от воздействия возникающего шума и/или вибраций, например: техническое обслуживание электроинструмента и рабочих (сменных) инструментов, сохранение тепла рук, правильная организация рабочих процессов.



## Данные о шуме

	RT 6-A22
Уровень звуковой мощности, LWA	98,9 дБ(А)
Погрешность уровня звуковой мощности, KWA	3 дБ(А)
Значение уровня звукового давления, LpA	85,9 дБ(А)
Погрешность уровня звукового давления, KpA	3 дБ(А)

## Данные о вибрации

	RT 6-A22
Значение уровня вибрации, ah,D	0,94 м/с <sup>2</sup>
Погрешность приведенных выше значений уровня вибрации, K	0,033 м/с <sup>2</sup>

### 4.3 Распределение мундштуков относительно используемых глухих заклепок

Обозначение мундштука	Диаметр глухой заклепки из любых стандартных материалов
RTN 2.4, NP 2.4	2,4 мм
RTN 3.2, NP 3.2	3,2 мм
RTN 4.0, NP 4.0	4,0 мм
RTN 4.8, NP 4.8	4,8 мм 5,0 мм (только алюминиевые глухие заклепки)

## 5 Подготовка к работе

### 5.1 Подготовка к работе

#### ПРЕДУПРЕЖДЕНИЕ

#### Опасность травмирования вследствие непреднамеренного пуска!

- ▶ Перед установкой аккумулятора убедитесь в том, что соответствующий электроинструмент выключен.
- ▶ Прежде чем приступить к регулировке электроинструмента или замене принадлежностей выньте аккумулятор из электроинструмента.

Соблюдайте указания по технике безопасности и предупреждающие указания, приводимые в данном документе и на изделии.

#### 5.1.1 Зарядка аккумулятора

1. Перед зарядкой изучите руководство по эксплуатации зарядного устройства.
2. Убедитесь в том, что контакты аккумулятора и зарядного устройства чистые и сухие.
3. Заряжайте аккумулятор только в допущенном к эксплуатации зарядном устройстве. 17

#### 5.1.2 Установка аккумулятора

#### ПРЕДУПРЕЖДЕНИЕ

#### Опасность травмирования вследствие короткого замыкания или падения аккумулятора!

- ▶ Перед установкой аккумулятора убедитесь в чистоте его контактов и контактов электроинструмента.
- ▶ Всегда проверяйте, правильно ли зафиксирован аккумулятор.

1. Перед первым вводом в эксплуатацию полностью зарядите аккумулятор.
2. Прижмите аккумулятор так, чтобы он зафиксировался в аккумуляторном отсеке с характерным щелчком.
3. Проверьте надежность фиксации аккумулятора.

#### 5.1.3 Извлечение аккумулятора

1. Нажмите кнопки (де)блокировки аккумулятора.
2. Извлеките аккумулятор из электроинструмента.



## 5.1.4 Замена мундштука

### ОСТОРОЖНО

**Опасность травмирования** Глухая заклепка может стать причиной травмирования пользователя.

► Проверьте, не находится ли глухая заклепка в монтажном инструменте.

1. Нажмите и удерживайте нажатым выключатель.
2. С помощью подходящего кольцевого ключа (разм. 12) расфиксируйте мундштук и полностью отверните его.
3. Снова навинтите новый мундштук.
4. Затяните мундштук с помощью подходящего кольцевого ключа.

## 6 Выполнение работ

### 6.1 Монтаж (забивание) глухой заклепки

1. Установите мундштук, подходящий к диаметру используемой заклепки.
2. Вставьте глухую заклепку в мундштук.
3. Установите электроинструмент заподлицо на заготовку.



Крепить можно только предварительно просверленные заготовки.

4. Коротко нажмите выключатель, чтобы забить глухую заклепку.
5. Отведите электроинструмент назад для утилизации обрезанного стержня заклепки в сборник.

### 6.2 Опорожнение сборника

### ОСТОРОЖНО

**Материальный ущерб** Возможно повреждение нажимной втулки и заклинивание заклепки.

► Регулярно опорожняйте сборник (не позднее чем после каждых 50 забиваний).

1. Отверните сборник вращением против часовой стрелки.
2. Опорожните сборник.
3. Снова навинтите сборник на электроинструмент.

## 7 Уход и техническое обслуживание за электроинструментом

### 7.1 Удаление металлических остатков

1. Возьмите подходящий гаечный ключ (разм. 24) и отпустите стальную втулку.
2. Полностью отвинтите стальную втулку.
3. Тщательно очистите ее путем выстукивания.
4. Отвинтите мундштук и дополнительно очистите стальную втулку тряпкой до полного удаления всех металлических остатков.
5. Снова навинтите мундштук.
6. С помощью подходящего кольцевого ключа (разм. 17) расфиксируйте корпус патрона и полностью отверните его.
7. Извлеките 3-частный патрон (с тремя кулачками).
8. Тщательно очистите корпус патрона путем его выстукивания.
9. Очистите корпус и кулачки патрона салфеткой, пропитанной антикоррозионным средством, до полного удаления всех металлических частиц.



Если кулачки патрона изношены, замените их.

10. Теперь извлеките нажимную втулку вместе с нажимной пружиной.
11. Очистите нажимную втулку и нажимную пружину салфеткой.
12. Очистите переходник салфеткой.
13. Используйте ключ на 15 мм, чтобы обеспечить надежную посадку соединительного вала.





14. Теперь установите все детали на место в обратной последовательности.



При этом смажьте нажимную втулку и корпус патрона с наружной стороны консистентной смазкой Hilti.

Распылите каплю масла в корпус патрона.

15. Затяните стальную втулку подходящим гаечным ключом (разм. 24).

## 7.2 Удаление металлических деталей из корпуса патрона

1. Возьмите подходящий гаечный ключ (разм. 24) и отпустите стальную втулку.
2. Полностью отвинтите стальную втулку.
3. Тщательно очистите стальную втулку путем ее выстукивания.
4. С помощью подходящего кольцевого ключа (разм. 17) расфиксируйте корпус патрона и полностью отверните его.
5. Тщательно очистите корпус патрона путем его выстукивания.
  - ▶ При этом выпадут 3-частный патрон и металлические детали.
6. Теперь установите все детали на место в обратной последовательности.



Распылите каплю масла в корпус патрона.

7. Затяните стальную втулку подходящим гаечным ключом (разм. 24).

## 7.3 Проверка правильного положения корпуса патрона

1. Возьмите подходящий гаечный ключ и отпустите стальную втулку.
2. Полностью отвинтите стальную втулку.
3. Проверьте правильность установки корпуса патрона.
4. При необходимости снова навинтите корпус патрона полностью на переходник.
5. Снова навинтите стальную втулку.
6. Затяните стальную втулку подходящим гаечным ключом.

## 7.4 Уход и техническое обслуживание



### ПРЕДУПРЕЖДЕНИЕ

**Опасность травмирования при установленном аккумуляторе !**

- ▶ Перед проведением любых работ по уходу и обслуживанию всегда извлекайте аккумулятор!

### Уход за электроинструментом

- Удаляйте налипшую грязь с осторожностью.
- Осторожно очищайте вентиляционные прорези (при наличии) сухой мягкой щеткой.
- Очищайте корпус только слегка увлажненной тканью. Не используйте средства по уходу с содержанием силикона, поскольку они могут повредить пластиковые детали.
- Для очистки контактов электроинструмента используйте чистую сухую тряпку.

### Уход за литий-ионными аккумуляторами

- Категорически запрещается использовать аккумулятор с забитыми вентиляционными прорезями. Осторожно очистите вентиляционные прорези сухой мягкой щеткой.
- Не допускайте чрезмерного запыления или загрязнения аккумулятора. Категорически запрещается подвергать аккумулятор чрезмерному воздействию влаги (например, опускать его в воду или оставлять под дождем).

Если аккумулятор промокнет, обращайтесь с ним, как с поврежденным. Поместите его в контейнер из негорючего материала и обратитесь в сервисную службу Hilti.

- Аккумулятор должен быть чистым, без следов масла и смазки. Не допускайте чрезмерного скопления пыли или грязи на аккумуляторе. Очищайте аккумулятор сухой мягкой кистью или чистой и сухой тряпкой. Не используйте средства по уходу с содержанием силикона, поскольку они могут повредить пластиковые детали.

Не прикасайтесь к контактам аккумулятора и не удаляйте с них смазку, нанесенную на заводе.

- Очищайте корпус только слегка увлажненной тканью. Не используйте средства по уходу с содержанием силикона, поскольку они могут повредить пластиковые детали.



## Техническое обслуживание

- Регулярно проверяйте все видимые части электроинструмента на отсутствие повреждений, а элементы управления — на исправное функционирование.
- При повреждениях и/или функциональных сбоях не используйте электроинструмент. Незамедлительно сдайте его для ремонта в сервисный центр **Hilti**.
- После ухода за электроинструментом и его технического обслуживания установите все защитные приспособления на место и проверьте их исправное функционирование.



Для обеспечения безопасной эксплуатации используйте только оригинальные запасные части и расходные материалы. Допущенные **Hilti** запасные части, расходные материалы и принадлежности для этого электроинструмента вы можете найти в **Hilti Store** или на: [www.hilti.group](http://www.hilti.group)

## 8 Транспортировка и хранение аккумуляторных инструментов и аккумуляторов

### Транспортировка



#### Непреднамеренное включение в ходе транспортировки !

- ▶ При транспортировке своих электроинструментов всегда отсоединяйте от них аккумуляторы!
- ▶ Извлеките аккумулятор(ы).
- ▶ Категорически запрещается транспортировать аккумуляторы без упаковки (бестарным способом). Во время транспортировки необходимо принять меры по защите аккумуляторов от сильных ударов и вибраций и изолировать их от любых токопроводящих материалов или других аккумуляторов, чтобы не допустить их контакта с клеммами других аккумуляторов и, как следствие этого, короткого замыкания. **Соблюдайте действующие предписания по транспортировке аккумуляторов.**
- ▶ Запрещается пересылать аккумуляторы по почте. Обратитесь в транспортно-экспедиционную компанию, если вы хотите переслать поврежденные аккумуляторы.
- ▶ Перед каждым использованием, а также перед длительной транспортировкой и после нее проверьте электроинструмент и аккумуляторы на отсутствие повреждений.

### Хранение



#### Непреднамеренное повреждение вследствие неисправных или протекающих аккумуляторов !

- ▶ При хранении своих электроинструментов всегда отсоединяйте от них аккумуляторы!
- ▶ По возможности храните фонарь и аккумуляторы в сухом и прохладном месте. Соблюдайте ограничения по температуре, приводимые в технических характеристиках.
- ▶ Не храните аккумуляторы на зарядном устройстве. После зарядки всегда извлекайте аккумулятор из зарядного устройства.
- ▶ Никогда не оставляйте аккумуляторы на солнце, на нагревательных/отопительных элементах или за стеклом.
- ▶ Храните фонарь и аккумуляторы в недоступном для детей и посторонних лиц месте.
- ▶ Перед каждым использованием, а также перед длительным хранением и после него проверяйте электроинструмент и аккумуляторы на отсутствие повреждений.

## 9 Помощь при неисправностях

В случае неисправностей, которые не указаны в этой таблице или которые вы не можете устранить самостоятельно, обращайтесь в ближайший сервисный центр **Hilti**.

### 9.1 Электроинструмент для монтажа глухих заклепок не готов к работе

Неисправность	Возможная причина	Решение
Светодиоды ничего не показывают.	Аккумулятор вставлен не полностью.	▶ Зафиксируйте аккумулятор с характерным щелчком.
	Аккумулятор разряжен.	▶ Замените аккумулятор и зарядите разряженный аккумулятор.



Неисправность	Возможная причина	Решение
Светодиоды ничего не показывают.	Аккумулятор слишком холодный/слишком горячий.	▶ Увеличьте/уменьшите температуру аккумулятора до рекомендованной рабочей температуры.
Мигает один светодиод.	Аккумулятор разряжен.	▶ Замените аккумулятор и зарядите разряженный аккумулятор.
	Аккумулятор слишком холодный/слишком горячий.	▶ Увеличьте/уменьшите температуру аккумулятора до рекомендованной рабочей температуры.
Мигает четыре светодиода.	Кратковременная перегрузка электроинструмента.	▶ Отпустите выключатель и нажмите его снова.
	Сработала защита от перегрева.	▶ Дайте остыть электроинструменту и очистите его вентиляционные прорези.
Светодиод перегрузки мигает в течение 10 с.	Защита от перегрузки	▶ Удалите металлические остатки . 20
Глухая заклепка не забивается.	Аккумулятор разряжен.	▶ Замените аккумулятор и зарядите разряженный аккумулятор.
	Кулачки патрона загрязнены или изношены.	▶ Очистите кулачки патрона или замените их.
	Корпус патрона неправильно навинчен.	▶ Правильно навинтите корпус патрона . 21
	Нажимная пружина ослаблена или неисправна.	▶ Замените нажимную пружину . 20
Не удаляется стержень заклепки.	Используется неподходящий мундштук.	▶ Замените мундштук . 20
	Мундштук изношен.	▶ Замените мундштук . 20
	В кулачках патрона застрял стержень заклепки.	▶ Удалите остатки стержня заклепки из корпуса патрона . 21
	Стальная втулка загрязнена.	▶ Очистите стальную втулку . 20
	Сборник заполнен.	▶ Опорожните сборник . 20

## 10 Утилизация

Большинство материалов, из которых изготовлены электроинструменты **Hilti**, подлежит вторичной переработке. Перед утилизацией следует тщательно рассортировать материалы (для удобства их последующей переработки). Во многих странах фирма **Hilti** уже организовала прием старых (электро) инструментов (изделий) для утилизации. Дополнительную информацию по этому вопросу можно получить в отделе по обслуживанию клиентов или у консультантов по продажам фирмы **Hilti**.



- ▶ Не выбрасывайте электрические инструменты, электронные устройства/приборы и аккумуляторы вместе с обычным мусором!

## 11 RoHS (Директива об ограничении применения опасных веществ)

По этой ссылке доступна таблица опасных веществ: [qr.hilti.com/r9615527](http://qr.hilti.com/r9615527).

Ссылку в виде QR-кода на таблицу опасных веществ согласно директиве RoHS см. в конце этого документа.



- С вопросами по поводу гарантийных условий обращайтесь в ближайшее представительство Hilti.

# Оригінальна інструкція з експлуатації

## 1 Інформація щодо інструкції з експлуатації

### 1.1 Про цю інструкцію з експлуатації

- Перш ніж розпочинати роботу з інструментом, прочитайте цю інструкцію з експлуатації. Це є передумовою безпечної роботи та відсутності несправностей під час застосування інструмента.
- Дотримуйтеся попереджувальних вказівок та вказівок з техніки безпеки, наведених у цій інструкції з експлуатації та на корпусі інструмента.
- Завжди зберігайте інструкцію з експлуатації поблизу виробу та передавайте його іншим особам тільки разом із цією інструкцією з експлуатації.

### 1.2 Пояснення символів

#### 1.2.1 Попереджувальні вказівки

Попереджувальні вказівки інформують користувача про фактори небезпеки, пов'язані із застосуванням інструмента. Використовуються такі сигнальні слова:

#### **НЕБЕЗПЕКА**

##### **НЕБЕЗПЕКА !**

- Указує на безпосередню небезпеку, що може призвести до отримання тяжких тілесних ушкоджень або навіть до смерті.

#### **ПОПЕРЕДЖЕННЯ**

##### **ПОПЕРЕДЖЕННЯ !**

- Указує на потенційно небезпечну ситуацію, яка може призвести до отримання тяжких тілесних ушкоджень або навіть смерті.





#### **ОБЕРЕЖНО**

##### **ОБЕРЕЖНО !**

- Указує на потенційно небезпечну ситуацію, яка може призвести до отримання тілесних ушкоджень або до матеріальних збитків.


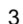
#### 1.2.2 Символи у документі

У цьому документі використовуються такі символи:

	Перед використанням прочитайте інструкцію з експлуатації
	Вказівки щодо експлуатації та інша корисна інформація
	Поводження з матеріалами, придатними для вторинної переробки
	Не викидайте електроінструменти і акумуляторні батареї у баки для побутового сміття

#### 1.2.3 Символи на ілюстраціях

На ілюстраціях використовуються такі символи:

	Цифрами позначаються відповідні ілюстрації, наведені на початку цієї інструкції
	Нумерація відображає послідовність робочих кроків на ілюстраціях та може відрізнятися від нумерації у тексті



11	Номера позицій, наведені <b>на оглядовій ілюстрації</b> , відповідають номерам у легенді, що представлена у розділі « <b>Огляд продукту</b> »
	Цей символ позначає аспекти, на які слід звернути особливу увагу під час застосування інструмента.

### 1.3 Символи, що обумовлені типом інструмента

#### 1.3.1 Символи на інструменті

На інструменті можуть бути наведені такі символи:

	Використовуйте захисні окуляри
	Використовуйте захисні навушники
	Використовуйте захисний шолом
	Постійний струм
	Інструмент підтримує технологію NFC та є сумісним із платформами iOS та Android.
	Літій-іонна акумуляторна батарея
	Використовуваний тип літій-іонної акумуляторної батареї <b>Hilti</b> . Дотримуйтеся вказівок, наведених у розділі « <b>Використання за призначенням</b> ».
	Ніколи не використовуйте акумуляторну батарею у якості ударного інструмента.
	Не допускайте падіння акумуляторної батареї. Не використовуйте акумуляторну батарею, яка зазнала ударного навантаження або була пошкоджена іншим чином.

### 1.4 Інформація про інструмент

Інструменти призначені для професійного використання, а тому їхню експлуатацію, технічне обслуговування та ремонт слід доручати лише авторизованому персоналу зі спеціальною підготовкою. Цей персонал повинен бути спеціально проінструктований про можливі ризики. Інструмент та допоміжне приладдя можуть стати джерелом небезпеки у разі їхнього неправильного застосування некваліфікованим персоналом або у разі використання не за призначенням.

Тип та серійний номер зазначені на заводській табличці.

- ▶ Перепишіть серійний номер у наведену нижче таблицю. При оформленні запитів до нашого представництва та до сервісної служби вказуйте інформацію про інструмент.

#### Інформація про інструмент

Інструмент для одностороннього kleпання з живленням від акумуляторної батареї	RT 6-A22
Версія:	01
Серійний номер:	

### 1.5 Сертифікат відповідності

Зі всією належною відповідальністю заявляємо, що описаний у цьому документі інструмент відповідає діючим директивам і стандартам. Копія сертифіката відповідності наведена у кінці цього документа. Технічна документація зазначена нижче:

**Hilti** Entwicklungsgesellschaft mbH | Zulassung Geräte | Hiltistraße 6 | 86916 Kaufering, DE



### 2.1 Вказівки з техніки безпеки

#### 2.1.1 Загальні вказівки з техніки безпеки при роботі з електроінструментами

**⚠ ПОПЕРЕДЖЕННЯ!** Уважно прочитайте усі вказівки та інструкції з техніки безпеки, ознайомтеся з малюнками та технічними даними цього електроінструмента. Щонайменше недотримання наведених нижче вказівок може призвести до ураження електричним струмом, займання та/або отримання тяжких травм.

**Збережіть всі інструкції та вказівки з техніки безпеки – вони можуть знадобитися Вам у майбутньому.**

Термін «електроінструмент», який використовується у вказівках з техніки безпеки, позначає як електроінструменти, що працюють від електричної мережі (із кабелем живлення), так і електроінструменти, що працюють від акумуляторної батареї (без кабелю живлення).

#### Безпека на робочому місці

- ▶ **Дбайте про чистоту та достатнє освітлення робочого місця.** Безлад на робочому місці та недостатнє освітлення можуть стати причиною нещасних випадків.
- ▶ **Не працюйте з електроінструментом у вибухонебезпечному середовищі, що містить легкозаймисті рідини, газу або пил.** Під час роботи електроінструментів утворюються іскри, від яких можуть зайнятися легкозаймисті випари або пил.
- ▶ **Подбайте про те, щоб під час використання електроінструмента поблизу не було дітей та сторонніх осіб.** Щонайменше відволікання може призвести до втрати контролю над інструментом.

#### Електрична безпека

- ▶ **Штепсельна вилка електроінструмента повинна підходити до розетки живлення. Забороняється вносити зміни до конструкції штепсельної вилки. Не дозволяється застосовувати перехідні штепсельні вилки в електроінструментах із захисним заземленням.** У разі використання оригінальних штепсельних вилок і відповідних розеток знижується ризик ураження електричним струмом.
- ▶ **Під час роботи намагайтеся не торкатися заземлених поверхонь, наприклад труб, радіаторів опалення, печей та холодильників.** Якщо Ваше тіло перебуває в контакт з системою заземлення, існує підвищений ризик ураження електричним струмом.
- ▶ **Захищайте електроінструменти від дощу та вологи.** У разі проникнення води в електроінструмент підвищується ризик ураження електричним струмом.
- ▶ **Використовуйте з'єднувальний кабель тільки за призначенням, не переносьте за нього електроінструмент, не користуйтеся ним для підвішування інструмента та не тримайтеся за нього, дістаючи штепсельну вилку з розетки.** Оберігайте з'єднувальний кабель від впливу високих температур, від дії мастил та контакту з гострими кромками або рухомими частинами інструмента. Пошкоджені або заплутані з'єднувальні кабелі підвищують ризик ураження електричним струмом.
- ▶ **Працюючи з електроінструментом під відкритим небом, використовуйте лише подовжувальний кабель, придатний для зовнішнього застосування.** Використання подовжувального кабелю, призначеного для зовнішнього застосування, зменшує ризик ураження електричним струмом.
- ▶ **Якщо неможливо уникнути експлуатації електроінструмента за умов підвищеної вологості, використовуйте автомат захисту від струму витоку.** Використання автомата захисту від струму витоку зменшує ризик ураження електричним струмом.

#### Безпека персоналу

- ▶ **Будьте уважними, зосередьтеся на виконуваній операції, до роботи з електроінструментом ставтеся серйозно. Не користуйтеся електроінструментом, якщо Ви втомлені або перебуваєте під дією наркотичних речовин, алкоголю або лікарських засобів.** Під час роботи з електроінструментом не відволікайтеся ні на мить, оскільки це може призвести до отримання серйозних травм.
- ▶ **Використовуйте засоби індивідуального захисту і завжди надягайте захисні окуляри.** Використання засобів індивідуального захисту, наприклад респіратора, захисного окуляра, захисного шолома або шумозахисних навушників – залежно від різновиду електроінструмента та особливостей його застосування – зменшує ризик травмування.
- ▶ **Уникайте випадкового вмикання електроінструмента. Переконайтеся в тому, що електроінструмент вимкнений, перш ніж вставляти штепсельну вилку в розетку живлення та/або приєднувати акумулятор, підняти електроінструмент або переносити його.** Якщо під час перенесення електроінструмента тримати палець на вимикачі або приєднувати інструмент до джерела живлення увімкненим, це може призвести до нещасного випадку.



- ▶ **Перш ніж вмикати електроінструмент, від'єднайте від нього все налагоджувальне приладдя або гайкові ключі.** Приладдя або ключ, що знаходяться в обертовому вузлі інструмента, можуть стати причиною отримання травм.
- ▶ **Уникайте виконання роботи в незручній позі.** Під час виконання робіт ставайте в стійку позу і намагайтеся повсякчас утримувати рівновагу. Це дозволить Вам більш упевнено контролювати електроінструмент у разі виникнення несподіваних обставин.
- ▶ **Надягайте відповідний робочий одяг.** Не надягайте для роботи занадто просторий одяг та прикраси. Слідкуйте за тим, щоб волосся, одяг та робочі рукавиці знаходилися подалі від обертових частин інструмента. Просторий одяг, прикраси або довге волосся можуть бути захоплені рухомими частинами інструмента.
- ▶ **Якщо передбачена можливість установа системи пиловидалення та пилозбірників, обов'язково переконайтеся в тому, що вони правильно приєднані й використовуються належним чином.** Застосування системи видалення пилу дозволяє зменшити негативний вплив пилу на персонал.
- ▶ **Не можна нехтувати правилами безпеки під час роботи з електроінструментами навіть у тому випадку, коли Ви добре знайомі з тим чи іншим електроінструментом.** Якщо користуватися інструментом необережно, лише малої частки секунди може бути достатньо для отримання тяжких травм.

#### **Використання електроінструмента та належний догляд за ним**

- ▶ **Не допускайте перенавантаження інструмента.** Завжди використовуйте електроінструмент, призначений для виконання відповідної роботи. При використанні належного електроінструмента забезпечуються більш висока якість та безпека виконання робіт у вказаному діапазоні продуктивності.
- ▶ **Не використовуйте електроінструмент із пошкодженим вимикачем.** Електроінструмент, який неможливо вмикати або вимикати, є небезпечним і підлягає ремонту.
- ▶ **Перш ніж розпочинати налаштування інструмента, виконувати заміну приладдя або роботи перерву в роботі, не забудьте вийняти штепсельну вилку з розетки та/або вийняти з інструмента змінну акумуляторну батарею.** Такий запобіжний захід допоможе уникнути випадкового вмикання електроінструмента.
- ▶ **Електроінструменти, що не використовуються, зберігайте в недоступному для дітей місці.** Не дозволяйте користуватися інструментом особам, які не озброєні з ним або не прочитали ці вказівки. У руках недосвідчених людей електроінструменти являють собою серйозну небезпеку.
- ▶ **Електроінструменти та їх приладдя потребують дбайливого догляду.** Ретельно перевіряйте, чи бездоганно працюють та чи не заклинюють рухомі частини, чи не зламалися або не зазнали інших пошкоджень деталі, від яких залежить справна робота електроінструмента. Перед початком роботи з інструментом пошкоджені деталі слід відремонтувати. Багатьох нещасних випадків можна уникнути за умови належного технічного обслуговування електроінструментів.
- ▶ **Слідкуйте за тим, щоб ріжучі інструменти завжди залишалися чистими та належним чином заточеними.** Дбайливо доглянутий ріжучий інструмент із гострими різальними кромками не так часто заклинюється, і з ним легше працювати.
- ▶ **Під час експлуатації електроінструмента, приладдя до нього, робочих інструментів тощо дотримуйтеся наведених у цьому документі вказівок.** При цьому завжди враховуйте умови в місці виконання робіт та дії, яких вимагає поставлене завдання. Використання електроінструментів не за призначенням може призвести до виникнення небезпечних ситуацій.
- ▶ **Слідкуйте за тим, щоб поверхні рукояток були чистими та сухими, та не допускайте їхнього забруднення мастилом.** Якщо поверхні рукояток слизькі, це унеможливило впевнене контролювання електроінструмента у непередбачених ситуаціях.

#### **Використання акумуляторного інструмента та належний догляд за ним**

- ▶ **Для заряджання акумуляторних батарей застосовуйте лише зарядні пристрої, рекомендовані виробником.** Зарядний пристрій, придатний для заряджання акумуляторних батарей певного типу, може спричинити пожежу, якщо його застосовувати для заряджання акумуляторних батарей інших типів.
- ▶ **Для живлення електроінструментів застосовуйте лише спеціально призначені для цього акумуляторні батареї.** Застосування інших акумуляторних батарей може призвести до отримання травм і виникнення пожежі.
- ▶ **Акумуляторну батарею, яка не використовується, тримайте подалі від канцелярських скріпок, монет, ключів, цвяхів, гвинтів та інших дрібних металевих предметів, які могли б спричинити коротке замикання її контактів.** Коротке замикання контактів акумуляторної батареї може призвести до отримання опіків або до виникнення пожежі.
- ▶ **У разі неправильного застосування з акумуляторної батареї може пролітися рідина.** Уникайте контакту з нею. У разі випадкового контакту цієї рідини зі шкірою негайно промийте уражене



місце достатньою кількістю води. Якщо рідина потрапила в очі, рекомендується додатково звернутися по лікарську допомогу. Пролита з акумуляторної батареї рідина може призвести до подразнення шкіри або отримання опіків.

- ▶ **Не використовуйте акумуляторну батарею, якщо вона пошкоджена або якщо її конструкція була змінена.** Пошкоджені або модифіковані акумуляторні батареї вкрай ненадійні та становлять небезпеку пожежі, вибуху або травмування.
- ▶ **Не надавайте акумуляторну батарею впливу вогню або високих температур.** Вогонь або температури понад 130 °C (265 °F) можуть спричинити вибух.
- ▶ **Дотримуйтеся вказівок щодо заряджання.** Ніколи не заряджайте акумуляторну батарею або акумуляторний інструмент в умовах, що виходять за межі температурного діапазону, зазначеного в інструкції з експлуатації. Неналежне заряджання або заряджання за межами зазначеного температурного діапазону може призвести до руйнування акумуляторної батареї та підвищує ризик займання.

### Сервісне обслуговування

- ▶ **Доручайте ремонт електроінструмента лише кваліфікованому персоналу зі спеціальною підготовкою за умови використання тільки оригінальних запасних частин.** Це забезпечить функціональність інструмента.
- ▶ **Забороняється здійснювати технічне обслуговування пошкоджених акумуляторних батарей.** У будь-яких випадках технічне обслуговування акумуляторних батарей повинен здійснювати виробник або уповноважена служба технічного обслуговування.

### 2.1.2 Загальні вказівки з техніки безпеки

Окрім загальних вимог з техніки безпеки, що наведені в окремих розділах цієї інструкції з експлуатації, необхідно також повсякчас суворо дотримуватись усіх наведених нижче вказівок.

#### Безпека персоналу

- ▶ Вносити будь-які зміни до конструкції інструмента заборонено.
- ▶ Використовуйте лише придатний для роботи інструмент. Використовуйте інструмент тільки за призначенням; не користуйтеся інструментом, який знаходиться у технічно несправному стані.
- ▶ Інструмент призначений виключно для виконання одностороннього клепаання за допомогою витяжних заклепок.
- ▶ Будьте уважні, зосередьтесь на виконуваній операції, до роботи з інструментом поставтеся відповідально. Не використовуйте інструмент, якщо Ви не можете зосередитися на роботі.
- ▶ Щоб уникнути ризику травмування, використовуйте лише оригінальне приладдя і запасні частини виробництва компанії **Hilti** або приладдя і запасні частини, які повністю відповідають їм за якістю.
- ▶ Застосовуйте лише кріпильні елементи, спеціально призначені та допущені до використання саме з цим інструментом.
- ▶ Дотримуйтеся вказівок з експлуатації, догляду і технічного обслуговування, наведених в інструкції з експлуатації.
- ▶ Заборонено направляти інструмент на себе або інших людей.
- ▶ Не притискайте інструмент до себе або до інших людей (наприклад, до руки або іншої частини тіла).
- ▶ Установлюйте кріпильні елементи лише у метал. Не намагайтеся установлювати кріпильні елементи в інші типи матеріалу основи.
- ▶ Натискайте на спусковий гачок тільки в тому випадку, якщо інструмент торкається оброблюваної поверхні та належним чином притиснутий до неї.
- ▶ Під час установлення кріпильного елемента утримуйте інструмент під прямим кутом до основи, щоб уникнути відхилення кріпильного елемента від матеріалу основи.
- ▶ Не установлюйте кріпильний елемент повторним робочим ходом інструмента, оскільки це може призвести до пошкодження кріпильного елемента.
- ▶ Слідкуйте за тим, щоб рукоятки були чистими та сухими, та не допускайте їхнього забруднення мастилом.
- ▶ Не залишайте заряджений інструмент без нагляду.
- ▶ Перед чищенням, технічним обслуговуванням або ремонтом інструмента завжди діставайте з нього витяжну заклепку.
- ▶ Ніколи не залишайте інструмент без нагляду.
- ▶ Інструменти, що не використовуються, зберігайте порожніми (без витяжних заклепок) у сухому недоступному для дітей місці, яке закривається на ключ.
- ▶ Не розбирайте інструмент, який значно нагрівся. Якщо ж це вкрай необхідно, скористайтеся захисними рукавицями.





- ▶ Ніколи не працюйте з інструментом, якщо в нього є видимі пошкодження або несправно функціонують органи керування. Передайте інструмент до сервісної служби компанії **Hilti** для здійснення ремонту.
- ▶ Не натискайте на вимикач, якщо витяжна заклепка знаходиться всередині інструмента.
- ▶ Не дивіться безпосередньо на світлодіодне підсвічування та не направляйте його в обличчя іншим особам. Існує небезпека засліплення.


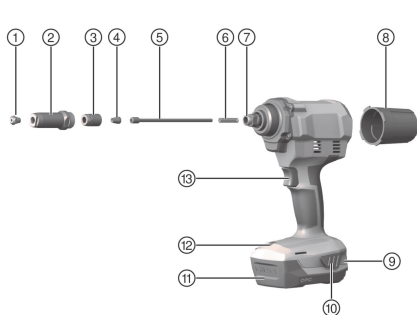
#### **Безпека на робочому місці**

- ▶ Подбайте про належне освітлення робочої ділянки.
- ▶ Підтримуйте порядок на робочому місці. У зоні проведення робіт не повинно бути сторонніх предметів, які можуть спричинити травми.
- ▶ На роботі носіть взуття на нековзній підшві.
- ▶ Під час застосування інструмента його оператор та інші особи, які знаходяться поруч, повинні використовувати відповідні захисні окуляри, захисний шолом, захисні навушники і захисні рукавиці.
- ▶ Якщо інструмент не використовується, зберігайте його та витяжні заклепки у недоступному для дітей місці, яке закривається на ключ.
- ▶ Не допускайте сторонніх осіб і дітей до свого робочого місця.
- ▶ Уникайте незручних поз. Під час виконання робіт ставайте в стійку позу і намагайтеся повсякчас утримувати рівновагу.
- ▶ Перш ніж установлювати кріпильні елементи, переконайтеся, що жодна особа не знаходиться з іншого боку оброблюваного листового металу.
- ▶ Обов'язково враховуйте умови навколишнього середовища. Не застосовуйте інструмент у пожежонебезпечних і вибухонебезпечних умовах.

#### **2.1.3 Застосування акумуляторних батарей та дбайливий догляд за ними**

- ▶ Дотримуйтеся особливих указівок щодо транспортування, складського зберігання та застосування літій-іонних акумуляторних батарей.
- ▶ Не піддавайте акумуляторні батареї впливу високих температур, прямих сонячних променів та відкритого вогню.
- ▶ Акумуляторні батареї забороняється розбирати, роздавлювати, нагрівати до температури понад 80 °C (176 °F) або спалювати.
- ▶ Не використовуйте та не заряджайте акумуляторні батареї, які зазнали впливу ударного навантаження, впали з висоти більше одного метра або були пошкоджені іншим чином. У разі виникнення такої ситуації завжди звертайтеся до **сервісної служби** компанії **Hilti**.
- ▶ Якщо акумуляторна батарея гаряча на дотик, вона може бути пошкоджена. Залиште акумуляторну батарею у захищеному від вогню місці на достатній відстані від горючих матеріалів, де за нею можна спостерігати. Зачекайте, доки акумуляторна батарея не охолоне. Якщо через годину акумуляторна батарея все ще залишається гарячою на дотик, це свідчить про її несправність. Зверніться до **сервісної служби** компанії **Hilti**.



**3.1**    **Огляд продукту **


- ① Насадка
- ② Сталева гільза
- ③ Корпус патрона
- ④ Патрон
- ⑤ Натискна втулка
- ⑥ Натискна пружина
- ⑦ Адаптер
- ⑧ Контейнер для відходів
- ⑨ Індикатор стану заряду та несправності акумуляторної батареї
- ⑩ Кнопки розблокування акумуляторної батареї з додатковою функцією активування індикації стану заряду
- ⑪ Акумуляторна батарея
- ⑫ Підсвічування / світлодіодний індикатор перенавантаження
- ⑬ Вимикач

**3.2**    **Комплект постачання**

Інструмент для одностороннього клепаання, 4 насадки, ключ, знімний контейнер для відходів, інструкція з експлуатації.

Інше приладдя, допущене до експлуатації з Вашим інструментом, Ви можете знайти у **Hilti Store** або на веб-сайті **www.hilti.group**

**3.3**    **Використання за призначенням**

Описаний у цьому документі виріб являє собою ручний акумуляторний інструмент для одностороннього клепаання.

- ▶ Застосовуйте із цим інструментом лише літій-іонні акумуляторні батареї **Hilti** типу B22.
- ▶ Для заряджання цих акумуляторних батарей використовуйте тільки зарядні пристрої **Hilti** типу C4/36.

**3.4**    **Індикатор літій-іонної акумуляторної батареї**

Стан заряду літій-іонної акумуляторної батареї та несправності інструмента позначаються за допомогою індикатора літій-іонної акумуляторної батареї. Щоб відобразити стан заряду літій-іонної акумуляторної батареї, слід злегка натиснути на одну з деблокувальних кнопок акумуляторної батареї.

Стан	Значення
Горять 4 світлодіоди.	Стан заряду: від 75 % до 100 %
Горять 3 світлодіоди.	Стан заряду: від 50 % до 75 %
Горять 2 світлодіоди.	Стан заряду: від 25 % до 50 %
Горить 1 світлодіод.	Стан заряду: від 10 % до 25 %
Мигає 1 світлодіод.	Стан заряду: < 10 %
1 світлодіод мигає, інструмент не готовий до роботи.	Акумуляторна батарея перегрілася або повністю розряджена.
4 світлодіоди мигають, інструмент не готовий до роботи.	Інструмент перенавантажений або перегрітий.



При натиснутому вимикачі та протягом 5 секунд після його відпускання перевірка стану заряду неможлива.

Якщо світлодіодні індикатори акумуляторної батареї мигають, будь ласка, виконайте вказівки, наведені в розділі «Допомога у разі виникнення несправностей».



### 3.5 Захист від перенавантаження

У разі перенавантаження інструмент автоматично вимикається, після чого світлодіодний індикатор перенавантаження мигає протягом наступних 10 секунд.

**i** У цей час використання інструмента неможливе. Зазвичай причиною перенавантаження є наявність уламків сердечника заклепки у механізмі патрона, тому його слід відповідним чином прочистити. У цьому випадку зверніться до розділу з інформацією про догляд за інструментом і технічне обслуговування інструмента та дотримуйтеся наведених у ньому вказівок щодо видалення залишків сердечника. Як правило, після успішного видалення засмічення інструмент готовий до подальшої експлуатації.

## 4 Технічні дані

	RT 6-A22
Номінальна напруга	21,6 В
Маса відповідно до EPTA Procedure 01 з акумуляторною батареєю B228.0	2,7 кг
Довжина робочого ходу	25 мм

### 4.1 Акумуляторна батарея

Робоча напруга акумуляторної батареї	21,6 В
Температура навколишнього середовища під час роботи	-17 °C ... 60 °C
Температура зберігання	-20 °C ... 40 °C
Температура акумуляторної батареї на початку процесу заряджання	-10 °C ... 45 °C

### 4.2 Дані про шум та значення вібрації, виміряні згідно зі стандартом EN 62841

Наведені у цих рекомендаціях значення звукового тиску та вібрації були виміряні згідно з установленою процедурою вимірювання та можуть використовуватися для порівняння електроінструментів. Вони також придатні для попереднього оцінювання шумового та вібраційного навантаження.

Наведені дані обумовлюють переважні сфери застосування електроінструмента. Однак якщо Ви використовуєте його не за призначенням, застосовуєте нестандартне приладдя або неналежним чином здійснюєте догляд за інструментом, ці дані можуть відрізнитися від вказаних значень. Це може призвести до помітного збільшення шумового та вібраційного навантаження протягом усього робочого часу.

Для більш точної оцінки шумового та вібраційного навантаження необхідно враховувати також проміжки часу, протягом яких інструмент залишається вимкненим або працює на холостому ходу. Це може значно зменшити вібраційне та шумове навантаження протягом усього робочого часу.

Необхідно також вживати додаткових заходів безпеки з метою захисту працівників від дії шуму та/або вібрації, зокрема: проводити своєчасне технічне обслуговування електроінструмента та змінних робочих інструментів до нього, утримувати руки у теплі, належним чином організувати робочий процес.

#### Дані про шум

	RT 6-A22
Рівень шумової потужності, LWA	98,9 дБ(A)
Похибка для рівня шумової потужності, KWA	3 дБ(A)
Рівень звукового тиску, LpA	85,9 дБ(A)
Похибка для рівня звукового тиску, KpA	3 дБ(A)

#### Дані про вібрацію

	RT 6-A22
Значення вібрації, ah,D	0,94 м/с <sup>2</sup>
Похибка наведених значень вібрації, K	0,033 м/с <sup>2</sup>



**4.3 Дієр насадки для витяжних заклепок, що використовуються**

Позначення насадки	Діаметр витяжної заклепки для всіх звичайних матеріалів
RTN 2.4, NP 2.4	2,4 мм
RTN 3.2, NP 3.2	3,2 мм
RTN 4.0, NP 4.0	4,0 мм
RTN 4.8, NP 4.8	4,8 мм 5,0 мм (виключно алюмінієві витяжні заклепки)

**5 Підготовка до роботи****5.1 Підготовка до роботи****⚠ ПОПЕРЕДЖЕННЯ**

**Ризик отримання травм внаслідок непередбаченого увімкнення інструмента!**

- ▶ Перш ніж установлювати акумуляторну батарею, переконайтеся, що відповідний інструмент вимкнений.
- ▶ Від'єднайте акумуляторну батарею, перш ніж задавати налаштування інструмента або замінити приладдя.

Дотримуйтеся попереджувальних вказівок та вказівок з техніки безпеки, наведених у цьому документі та на корпусі інструмента.

**5.1.1 Заряджання акумуляторної батареї**

1. Перед заряджанням акумуляторної батареї прочитайте інструкцію з експлуатації зарядного пристрою.
2. Контакти акумуляторної батареї та зарядного пристрою повинні бути чистими та сухими.
3. Заряджайте акумуляторну батарею тільки за допомогою тих зарядних пристроїв, які допущені до застосування з нею. 30

**5.1.2 Установлення акумуляторної батареї****⚠ ПОПЕРЕДЖЕННЯ**

**Ризик отримання травм внаслідок короткого замикання або падіння акумуляторної батареї!**

- ▶ Перш ніж установлювати акумуляторну батарею, переконайтеся, що на контактах батареї та інструмента немає сторонніх предметів.
- ▶ Завжди перевіряйте, щоб акумуляторна батарея була правильно зафіксована.

1. Перед першим використанням акумуляторну батарею слід повністю зарядити.
2. Уставте акумуляторну батарею в інструмент, щоб вона зафіксувалася із чітким характерним звуком.
3. Переконайтеся, що акумуляторна батарея надійно зафіксована в інструменті.

**5.1.3 Виймання акумуляторної батареї**

1. Натисніть на деблокувальні кнопки акумуляторної батареї.
2. Дістаньте акумуляторну батарею з інструмента.

**5.1.4 Заміна насадки****⚠ ОБЕРЕЖНО**

**Небезпека травмування** У разі контакту з витяжною заклепкою Ви можете травмуватися.

- ▶ Переконайтеся, що в інструменті відсутня витяжна заклепка.
1. Натисніть на вимикач та утримуйте його.
  2. За допомогою відповідного кільцевого гайкового ключа (SW 12) послабте насадку і викрутіть її.
  3. Прикрутіть нову насадку.
  4. Затягніть насадку за допомогою відповідного кільцевого гайкового ключа.



## 6 Під час роботи

### 6.1 Установлення витяжної заклепки

1. Приєднайте до інструмента насадку, яка відповідає діаметру використовуваних заклепок.
2. Уставте витяжну заклепку у насадку.
3. Щільно притисніть інструмент до поверхні оброблюваної деталі.



Кріплення можливе лише за наявності попередньо просвердлених отворів в оброблюваній деталі.

4. Короткочасно натисніть на перемикач, щоб установити витяжну заклепку.
5. Нахиліть інструмент назад, щоб відірваний сегмент сердечника заклепки потрапив у контейнер для відходів.

### 6.2 Спорожнення контейнера для відходів

#### ОБЕРЕЖНО

**Пошкодження майна** Натискна втулка може бути пошкоджена, а заклепка може заклити.  
 ► Регулярно спорожняйте контейнер для відходів (не пізніше ніж через 50 кріплень).

1. Зніміть контейнер для відходів, повертаючи його проти годинникової стрілки.
2. Спорожніть контейнер для відходів.
3. Знову прикрутіть контейнер для відходів до інструмента.

## 7 Догляд за інструментом і технічне обслуговування інструмента

### 7.1 Видалення металевих уламків

1. За допомогою відповідного гайкового ключа з відкритим зівом (SW 24) послабте сталеву гільзу.
2. Повністю викрутіть сталеву гільзу.
3. Ретельно видаліть сміття зі сталевої гільзи, постукуючи по ній.
4. Викрутіть насадку і додатково прочистьте сталеву гільзу тканиною, доки усі металеві уламки не будуть видалені.
5. Прикрутіть насадку на місце.
6. За допомогою відповідного кільцевого гайкового ключа (SW 17) послабте корпус патрона і повністю викрутіть його.
7. Дістаньте патрон, що складається з трьох частин (затискних цанг).
8. Ретельно видаліть сміття з корпусу патрона, постукуючи по ньому.
9. Прочищайте корпус патрона і затискні цанги патрона тканиною, змоченою в антикорозійному засобі, доки усі металеві уламки не будуть видалені.



Якщо затискні цанги патрона зносилися, замініть їх.

10. Після цього дістаньте натискну втулку з натискною пружиною.
11. Прочистьте натискну втулку і натискну пружину тканиною.
12. Прочистьте адаптер тканиною.
13. За допомогою ключа на 15 мм перевірте, що з'єднувальний вал надійно закріплений.
14. Виконавши наведені вище дії, установіть усі деталі у зворотному порядку.



Змастіть натискну втулку та корпус патрона із зовнішньої сторони консистентним мастилом Hilti.

Додайте одну краплю мастила у корпус патрона.

15. За допомогою відповідного гайкового ключа з відкритим зівом (SW 24) затягніть сталеву гільзу.

### 7.2 Видалення часток металу із корпусу патрона

1. За допомогою відповідного гайкового ключа з відкритим зівом (SW 24) послабте сталеву гільзу.
2. Повністю викрутіть сталеву гільзу.
3. Ретельно видаліть сміття зі сталевої гільзи, постукуючи по ній.



4. За допомогою відповідного кільцевого гайкового ключа (SW 17) послабте корпус патрона і повністю викрутіть його.
5. Ретельно видаліть сміття з корпусу патрона, постукуючи по ньому.
  - ▶ При цьому разом із уламками металу з корпусу випаде патрон, що складається з трьох частин.
6. Виконавши наведені вище дії, установіть усі деталі у зворотному порядку.



Додайте одну краплю мастила у корпус патрона.

7. За допомогою відповідного гайкового ключа з відкритим зівом (SW 24) затягніть сталеву гільзу.

### 7.3 Перевірка правильності установлення корпусу патрона

1. За допомогою відповідного гайкового ключа з відкритим зівом послабте сталеву гільзу.
2. Повністю викрутіть сталеву гільзу.
3. Перевірте, чи належним чином установлений корпус патрона.
4. За необхідності знову прикрутіть корпус патрона, щоб він був повністю установлений на адаптер.
5. Прикрутіть сталеву гільзу на місце.
6. За допомогою відповідного гайкового ключа з відкритим зівом затягніть сталеву гільзу.

### 7.4 Догляд і технічне обслуговування



#### ПОПЕРЕДЖЕННЯ

**Небезпека травмування під час виконання робіт на інструменті з установленою акумуляторною батареєю!**

- ▶ Завжди діставайте з інструмента акумуляторну батарею, перш ніж розпочинати будь-які роботи з догляду та технічного обслуговування!

#### Догляд за інструментом

- Видаляйте накопичення бруду обережно.
- Якщо конструкцією інструмента передбачені вентиляційні прорізи, обережно прочищайте їх м'якою сухою щіткою.
- Чистьте корпус інструмента тільки вологою тканиною. Не використовуйте миючі засоби, що містять силікон, оскільки вони можуть пошкодити пластмасові деталі.
- Для чищення контактів інструмента використовуйте чисту суху тканину.

#### Догляд за літій-іонними акумуляторними батареями

- Ніколи не використовуйте акумуляторну батарею із заблокованими вентиляційними прорізами. Обережно прочищайте вентиляційні прорізи м'якою сухою щіткою.
- Уникайте зайвого контакту акумуляторної батареї з пилом або брудом. Ніколи не піддавайте акумуляторну батарею впливу високої вологості (зокрема, не занурюйте її у воду та не залишайте під дощем).

Якщо рідина потрапила всередину акумуляторної батареї, з нею слід поводитися як із пошкодженою акумуляторною батареєю. Ізольуйте акумуляторну батарею у контейнері з незаймистого матеріалу та зверніться до сервісної служби компанії **Hilti**.
- Не допускайте забруднення акумуляторної батареї сторонніми мастильними матеріалами. Слідкуйте за тим, щоб на акумуляторній батареї не накопичувалась занадто велика кількість пилу або бруду. Видаляйте забруднення з акумуляторної батареї м'якою сухою щіткою або чистою сухою тканиною. Не використовуйте миючі засоби, що містять силікон, оскільки вони можуть пошкодити пластмасові деталі.
- Не торкайтеся контактів акумуляторної батареї та не видаляйте з них мастильні матеріали, нанесені на заводі виробника.
- Чистьте корпус інструмента тільки вологою тканиною. Не використовуйте миючі засоби, що містять силікон, оскільки вони можуть пошкодити пластмасові деталі.

#### Технічне обслуговування

- Регулярно перевіряйте усі зовнішні частини інструмента на наявність пошкоджень, а органи керування – на предмет справної роботи.
- Не використовуйте інструмент у разі виявлення пошкоджень та/або порушень функціональності. негайно передайте інструмент до сервісної служби компанії **Hilti** для здійснення ремонту.
- Після завершення робіт з догляду і технічного обслуговування встановіть усі захисні пристрої та перевірте їхню роботу.





Щоб гарантувати належну роботу інструмента, використовуйте тільки оригінальні запасні частини та видаткові матеріали. Рекомендовані компанією **Hilti** запасні частини, видаткові матеріали та приладдя для інструмента Ви можете придбати у найближчому магазині **Hilti Store** або на веб-сайті **www.hilti.group**

## 8 Транспортування та зберігання акумуляторних інструментів та акумуляторних батарей

### Транспортування

#### ОБЕРЕЖНО

**Непередбачене увімкнення інструмента під час транспортування !**

- ▶ На час транспортування завжди діставайте з інструмента акумуляторну батарею!
- ▶ Діставайте акумуляторну(-і) батарею(-і).
- ▶ Ніколи не перевозьте акумуляторні батареї у незапакованому вигляді. Під час перевезення акумуляторні батареї повинні бути захищені від сильних поштовхів та вібрацій, а також ізольовані від будь-яких струмопровідних матеріалів та від інших акумуляторних батарей. Це дозволить уникнути короткого замикання, яке може статися через контакт полюсів різних акумуляторних батарей. **Дотримуйтеся місцевих правил, які регламентують порядок перевезення акумуляторних батарей.**
- ▶ Забороняється пересилати акумуляторні батареї поштою. Для пересилання непошкоджених акумуляторних батарей зверніться до кур'єрської служби.
- ▶ Перед кожним використанням, а також перед тривалим транспортуванням і після його завершення перевіряйте інструмент та акумуляторні батареї на наявність пошкоджень.

### Зберігання

#### ПОПЕРЕДЖЕННЯ

**Непередбачене пошкодження інструмента через несправність акумуляторної батареї або через виток електrolіту з акумуляторної батареї !**

- ▶ На час зберігання завжди діставайте з інструмента акумуляторну батарею!
- ▶ Зберігайте інструмент та акумуляторні батареї у сухому прохолодному місці. Дотримуйтеся діапазону температур, зазначеного у технічних даних інструмента.
- ▶ Не зберігайте акумуляторні батареї на зарядному пристрої. Після закінчення процесу заряджання завжди від'єднуйте акумуляторну батарею від зарядного пристрою.
- ▶ Не зберігайте акумуляторні батареї на сонці, біля джерел тепла або на підвіконні.
- ▶ Зберігайте інструмент та акумуляторні батареї у сухому місці, недоступному для дітей та сторонніх осіб.
- ▶ Перед кожним використанням, а також перед тривалим зберіганням і після його завершення перевіряйте інструмент та акумуляторні батареї на наявність пошкоджень.

## 9 Допомога у разі виникнення несправностей

У разі виникнення несправностей, які не зазначені у цій таблиці або які Ви не можете полагодити самостійно, зверніться до сервісної служби компанії **Hilti**.

### 9.1 Інструмент для одностороннього клепаання не готовий до роботи

Несправність	Можлива причина	Рішення
Індикація світлодіодів відсутня.	Акумуляторна батарея встановлена в інструмент не до кінця.	▶ Зафіксуйте акумуляторну батарею з відчутним клацанням.
	Акумуляторна батарея розряджена.	▶ Замініть акумуляторну батарею та зарядіть розряджену акумуляторну батарею.
	Акумуляторна батарея занадто гаряча або холодна.	▶ Зачекайте, доки акумуляторна батарея не нагріється або не охолоне до належної робочої температури.



Несправність	Можлива причина	Рішення
Мигає 1 світлодіод.	Акумуляторна батарея розряджена.	▶ Замініть акумуляторну батарею та зарядіть розряджену акумуляторну батарею.
	Акумуляторна батарея занадто гаряча або холодна.	▶ Зачекайте, доки акумуляторна батарея не нагріється або не охолоне до належної робочої температури.
Мигають 4 світлодіоди.	Сталося короткочасне перенавантаження інструмента.	▶ Відпустіть вимикач та знову натисніть на нього.
	Спрацював захист від перегрівання.	▶ Зачекайте, доки інструмент не охолоне, та прочистьте вентиляційні прорізи.
Світлодіодний індикатор перенавантаження мигає протягом 10 секунд.	Захист від перенавантаження.	▶ Видаліть металеві уламки . 33
Витяжна заклепка не зафіксується в оброблюваній деталі.	Акумуляторна батарея розряджена.	▶ Замініть акумуляторну батарею та зарядіть розряджену акумуляторну батарею.
	Затискні цанги патрона забруднені або зношені.	▶ Прочистьте затискні цанги патрона або 33 замініть їх.
	Корпус патрона прикручений неналежним чином.	▶ Прикрутіть корпус патрона належним чином . 34
	Натискна пружина пошкоджена або занадто послаблена.	▶ Замініть натискну пружину . 33
Сердечник заклепки не потрапляє у контейнер.	Використовується неналежна насадка.	▶ Замініть насадку . 32
	Насадка зношена.	▶ Замініть насадку . 32
	Сердечник заклепки заклинило у затискних цангах патрона.	▶ Видаліть уламки сердечника заклепки із корпусу патрона . 33
	Сталева гільза забруднена.	▶ Прочистьте сталеву гільзу . 33
	Контейнер для відходів заповнений.	▶ Спорожніть контейнер для відходів . 33

## 10 Утилізація

Більшість матеріалів, з яких виготовлено інструменти компанії **Hilti**, придатні для вторинної переробки. Передумовою для їхньої вторинної переробки є належне сортування відходів за типом матеріалу. У багатьох країнах світу компанія **Hilti** приймає старі інструменти для їхньої утилізації. Щоб отримати додаткову інформацію з цього питання, звертайтеся до сервісної служби компанії **Hilti** або до свого торгового консультанта.



- ▶ Не викидайте електроінструменти, електронні пристрої та акумуляторні батареї у баки для побутового сміття!

## 11 RoHS (директива КНП про обмеження використання небезпечних речовин)

Щоб переглянути таблицю з інформацією про небезпечні речовини, будь ласка, перейдіть за таким посиланням: [qr.hilti.com/r9615527](http://qr.hilti.com/r9615527).

Посилання на таблицю з інформацією про речовини, включені до директиви RoHS, наведено наприкінці цього документа у вигляді QR-коду.

## 12 Гарантійні зобов'язання виробника

- ▶ З питань гарантії, будь ласка, звертайтеся до найближчого партнера компанії **Hilti**.





# Түпнұсқа пайдалану бойынша нұсқаулық

## 1 Пайдалану бойынша нұсқаулық туралы мәліметтер

### 1.1 Бұл құжаттама туралы



#### Импорттауыш және өндірушінің өкілетті ұйымы

- (RU) Ресей Федерациясы  
"Хилти Дистрибьюшн ЛТД" АҚ, 141402, Мәскеу облысы, Химки қ., Ленинградская к-сі, 25-бет, 15.26-құрылымы
- (BY) Беларусь Республикасы  
"Хилти БиУай" ЖШС, 222750, Минск облысы, Дзержин ауданы, Р-1, 18 км, 2 (Слободка ауылының жанында), 1-34 құрылымы
- (KZ) Қазақстан Республикасы  
"Хилти Қазақстан" ЖШС, 050057, Алматы қ., Бостандық ауданы, Тимирязев к-сі, 42/15 үй, литер 012 (15 корпус)
- (KG) Қырғыз Республикасы  
"Т AND Т" ЖШҚ, 720021, Қырғызстан, Бішкек қ., Ибраимов көш., 29 А үйі
- (AM) Армения Республикасы  
"ЭЙЧ-КОН" ЖШҚ, 0070, Ереван қ., Ерманда Кочар к-сі, 19/28

Өндірілген елі: жабдықтағы белгілеу тақтайшасын қараңыз.

Өндірілген күні: жабдықтағы белгілеу тақтайшасын қараңыз.

Тиісті сертификатты мына мекенжай бойынша табуға болады: [www.hilti.ru](http://www.hilti.ru)

Сақтау, тасымалдау және пайдалану шарттарына пайдалану бойынша нұсқаулықта белгіленгеннен басқа арнайы талаптар қойылмайды.

Өнімнің қызмет ету мерзімі 5 жыл.

- Іске қосу алдында осы пайдалану бойынша нұсқаулықты оқып шығыңыз. Бұл қауіпсіз жұмыс пен ақаусыз басқару үшін алғышарт болып табылады.
- Осы пайдалану бойынша нұсқаулықтағы және өнімдегі қауіпсіздік және ескерту нұсқауларын орындаңыз.
- Пайдалану бойынша нұсқаулықты әрдайым өнімде сақтаңыз және өнімді басқа тұлғаларға тек осы пайдалану бойынша нұсқаулықпен бірге тапсырыңыз.

### 1.2 Шартты белгілердің анықтамасы

#### 1.2.1 Ескерту

Ескертулер өнімді қолдану барысындағы қауіптер туралы ескертеді. Төмендегі сигналдық сөздер пайдаланылады:

#### ҚАУІПТІ

##### ҚАУІПТІ !

- ▶ Ауыр жарақаттарға әкелетін немесе өмірге қауіп төндіретін тікелей қауіпті жағдайдың жалпы белгіленуі.

#### ЕСКЕРТУ

##### ЕСКЕРТУ !

- ▶ Ауыр жарақаттарға әкелуі немесе өмірге қауіп төндіруі мүмкін ықтимал қауіпті жағдайдың жалпы белгіленуі.

#### АБАЙЛАҢЫЗ

##### АБАЙЛАҢЫЗ !

- ▶ Жарақат алуға немесе мүліктің зақымдалуына әкелуі мүмкін ықтимал қауіпті жағдайдың жалпы белгіленуі.



### 1.2.2 Құжаттамадағы белгілер

Бұл құжаттамада төмендегі белгілер пайдаланылады:

	Пайдалану алдында пайдалану бойынша нұсқаулықты оқу қажет
	Аспапты пайдалану бойынша нұсқаулар және басқа пайдалы ақпарат
	Қайта пайдалануға болатын материалдармен жұмыс істеу
	Электр аспаптарды және аккумуляторларды тұрмыстық қоқысқа тастамаңыз

### 1.2.3 Суреттердегі белгілер

Суреттерде төмендегі белгілер қолданылады:

	Бұл сандар осы нұсқаулықтың басындағы әр суретке сәйкес келеді
	Нөмірлеу суреттегі жұмыс қадамдарының реттілігін білдіреді және мәтіндегі жұмыс қадамдарынан өзгешеленуі мүмкін
	Позиция нөмірлері <b>Шолу</b> суретінде қолданылады және <b>Өнімге шолу</b> мақаласындағы шартты белгілердің нөмірлеріне сілтейді
	Аталмыш белгілер өнімді қолдану барысында айрықша назарыңызды аудартады.

## 1.3 Өнімге қатысты белгілер

### 1.3.1 Өнімдегі белгілер

Өнімде төмендегі белгілер пайдаланылуы мүмкін:

	Қорғауыш көзілдірікті тағу
	Қорғауыш құлақпты пайдалану
	Қорғауыш касканы пайдалану
	Тұрақты ток
	Құрылғы iOS және Android платформаларымен үйлесімді NFC технологиясын қолдайды.
	Литий-иондық аккумулятор
	Пайдаланылған Hilti литий-ион аккумуляторының сериясы. <b>Қолдану мақсаты</b> бөліміндегі нұсқауларды орындаңыз.
	Аккумуляторды еш жағдайда соқпа құрал ретінде пайдаланбаңыз.
	Аккумуляторды құлатып жібермеңіз. Соққы тиген немесе басқа жолмен зақымдалған аккумуляторды пайдаланбаңыз.

### 1.4 Өнім туралы ақпарат

өнімдері кәсіби пайдаланушыларға арналған және оларды тек қана өкілетті, білікті қызметкерлер пайдалануы, күтім және техникалық қызмет көрсетуі тиіс. Қызметкерлер қауіпсіздік техникасы бойынша арнайы нұсқау алуы керек. Өнім мен оның қосалқы құралдарын басқа мақсатта қолдану немесе олардың оқытылмаған қызметкерлердің таралынан пайдаланылуы қауіпті.

Түр сипаттамасы мен сериялық нөмір фирмалық тақтайшада берілген.



- ▶ Сериялық нөмірді төмендегі кестеге көшіріп қойыңыз. Өнім туралы мәліметтерді өкілдігімізге немесе қызмет көрсету бөлімімізге сұрау беру арқылы алуға болады.

#### Өнім туралы мәліметтер

Тойтарманы орнату құралы, аккумулятор арқылы жұмыс істейді	RT 6–A22
Буын:	01
Сериялық нөмірі:	

### 1.5 Сәйкестілік декларациясы

Біз осы нұсқаулықта сипатталған өнімнің қолданыстағы директивалар мен нормативтерге сәйкес келетінін толық жауапкершілікпен жариялаймыз. Сәйкестілік декларациясының суреті осы құжаттаманың соңында орналасқан.

Техникалық құжаттама мына жерде сақталған:

Hilti Entwicklungsgesellschaft mbH | Zulassung Geräte | Hiltistraße 6 | 86916 Kaufering, DE

## 2 Қауіпсіздік

### 2.1 Қауіпсіздік техникасы бойынша нұсқаулар

#### 2.1.1 Электр құралдары үшін қауіпсіздік техникасы бойынша жалпы нұсқаулар

**⚠ ЕСКЕРТУ** Бұл электр құралына арналған барлық қауіпсіздік нұсқауларын, нұсқауларды, суреттерді және техникалық деректерді оқып шығыңыз. Төменде берілген нұсқауларды орындамау электр тогының соғуына, өртке әкелуі мүмкін және/немесе ауыр жарақаттарды тудыруы мүмкін.

**Қауіпсіздік техникасы бойынша барлық нұсқауларды және нұсқауларды келесі пайдаланушы үшін сақтаңыз.**

Қауіпсіздік нұсқауларында қолданылатын «электр құралы» термині электр желісінен (желілік кабельмен) және аккумулятордан (желілік кабельсіз) жұмыс істейтін электр құралын білдіреді.

#### Жұмыс орны

- ▶ **Жұмыс орнындағы тазалықты және тәртіпті қадағалаңыз.** Жұмыс орнындағы ретсіздік және нашар жарық сәтсіз жағдайларға әкелуі мүмкін.
- ▶ **Жанғыш сұйықтықтар, газдар немесе шаң бар жарылыс қаупі бар аймақта электр құралын қолданбаңыз.** Жұмыс кезінде электр құралдары ұшқындар шығады және ұшқындар шаңды немесе буларды тұтандыруы мүмкін.
- ▶ **Балалардың және бөгде адамдардың жұмыс істеп тұрған электр құралына жақындауына рұқсат етпеңіз.** Жұмысқа көңіл бөлмегенде, электр құралын бақылау жоғалуы мүмкін.

#### Электр қауіпсіздігі

- ▶ **Электр құралдың байланыс ашасы электр желісінің розеткасына сай болуы керек. Айырдың конструкциясын өзгертпеңіз. Қорғауыш жерге қосуы бар электр құралдарымен бірге өтпелі айырларды қолданбаңыз.** Түпнұсқа айырлар және оларға сай розеткалар электр тогының соғу қаупін азайтады.
- ▶ **Жерге қосылған беттерге, мысалы, құбырларға, жылыту құралдарына, пештерге (плиталарға) және тоңазытқыштарға тікелей тиюді болдырмаңыз.** Жерге қосылған заттарға тигенде электр тогының соғуының үлкен қаупі туындайды.
- ▶ **Электр құралдарды жаңбырдан немесе ылғал әсерінен сақтаңыз.** Электр құралға су тиюі нәтижесінде электр тогының соғу қаупі артады.
- ▶ **Байланыс сымын басқа мақсатта қолданбаңыз, мысалы, электр құралды тасымалдау, оны іліп қою немесе электр желісінің розеткасынан айырды шығару үшін.** Байланыс сымын жылу, май, өткір жиіктер немесе жылжымалы бөліктерден алшақ ұстаңыз. Байланыс сымының зақымдалуы немесе қабаттасуы нәтижесінде электр тогының соғу қаупі артады.
- ▶ **Егер жұмыстар ашық ауада орындалса, тек бөлмелерден тыс қолдануға рұқсат етілген ұзартқыш сымдарды пайдаланыңыз.** Бөлмелерден тыс қолдануға жарамды ұзартқыш сымды пайдалану электр тогының соғу қаупін азайтады.
- ▶ **Егер электр құралмен ылғалдылық жағдайларында жұмыс істеуді болдырмау мүмкін емес болса, шығып кететін токтан қорғау автоматын қолданыңыз.** Шығып кететін токтан қорғау автоматын қолдану электр тогының соғу қаупін азайтады.

#### Адамдардың қауіпсіздігі

- ▶ **Ұқыпты болыңыз, әрекеттеріңізге көңіл бөліңіз және электр құралымен жұмыс істеуге дұрыс қараңыз.** Шаршаған кезде немесе есірткі, алкоголь не дәрі қабылдаған соң электр құралын



**қолданбаңыз.** Электр құралын қолданған кездегі зейінсіздік ауыр жарақаттарға апарып соғуы мүмкін.

- ▶ **Жеке қорғану құралдарын пайдаланыңыз және әрқашан міндетті түрде қорғауыш көзділдікті киіңіз.** Электр құралының түріне және пайдалану жағдайларына байланысты жеке қорғану құралдарын, мысалы, шаңнан қорғайтын респираторды, сырғымайтын аяқ киімді, қорғауыш шлемді, естуді қорғау құралдарын қолдану жарақаттану қаупін азайтады.
- ▶ **Электр құралының кездейсоқ қосылуын болдырмаңыз.** Электр қуатына қосу және/немесе аккумуляторды қою, көтеру немесе тасымалдау алдында электр құралы өшірілгеніне көз жеткізіңіз. Электр құралын тасымалдағанда саусақтар сөндіргіште болатын немесе қосылған электр құралы желіге қосылатын жағдайлар сәтсіз жағдайларға әкелуі мүмкін.
- ▶ **Электр құралын қосу алдында реттеуші құрылғыларды және гайка кілтін алыңыз.** Электр құралының айналатын бөлігіндегі аспап немесе кілт жарақаттарға әкелуі мүмкін.
- ▶ **Жұмыс кезінде ыңғайсыз қалыптарға тұрмауға тырысыңыз. Үнемі тұрақты күйді және тепе-теңдікті сақтаңыз.** Бұл күтпеген жағдайларда электр құралын жақсырақ басқаруға мүмкіндік береді.
- ▶ **Арнайы киімді киіңіз. Өте бос киімді немесе әшекейлерді кимеңіз. Шашты, киімді және қолғапты электр құралының айналатын түйіндерінен сақтаңыз.** Бос киім, әшекейлер және ұзын шаш оларға ілінуі мүмкін.
- ▶ **Егер шанды жинау және кетіруге арналған құрылғыларды қосу қарастырылған болса, олар қосылғанына және мақсаты бойынша қолданылып жатқанына көз жеткізіңіз.** Шанды кетіру модулін пайдалану шаңның зиянды әсерін азайтады.
- ▶ **Өз мойныңызға қате қауіпсіздік сезімін алмаңыз және электр құралына арналған қауіпсіздік ережелерін бұзбаңыз, тіпті электр құралын жиі қолданатын тәжірибелі пайдаланушы болсаңыз.** Мұқиятсыз қолдану бірнеше секундта ауыр жарақаттануға апарып соғуы мүмкін.

#### **Электр құралын қолдану және оған қызмет көрсету**

- ▶ **Аспапқа шамадан тыс жүктеме түсуін болдырмаңыз. Нақ осы жұмысқа арналған электр құралын қолданыңыз.** Бұл ережені сақтау көрсетілген қуат диапазонында жоғарырақ жұмыс сапасын және қауіпсіздігін қамтамасыз етеді.
- ▶ **Сөндіргіші бұзылған электр құралын қолданбаңыз.** Қосу немесе өшіру қиын электр құралы қауіпті және оны жөндеу керек.
- ▶ **Электр құралын реттеуге, саймандарды ауыстыруға кірісу алдында немесе жұмыстағы үзіліс алдында розеткадан ашаны және/немесе электр құралынан алмалы-салмалы аккумуляторды шығарыңыз.** Бұл сақтық шарасы электр құралының кездейсоқ қосылуын болдырмайды.
- ▶ **Қолданылмайтын электр құралдарын балалар жетпейтін жерде сақтаңыз. Аспаппен таныс емес немесе осы нұсқауларды оқып шықпаған адамдарға аспапты пайдалануға рұқсат бермеңіз.** Электр құралдары тәжірибесі жоқ пайдаланушылардың қолында қауіпті болады.
- ▶ **Электр құралдары мен керек-жарақтарға ұқыпты қараңыз. Айналмалы бөліктердің мүлтіксіз қызмет ететінін, олардың жүрісінің жеңілдігін, барлық бөліктердің тұтастығын және электр құралының жұмысына теріс әсер етуі мүмкін зақымдардың жоқтығын тексеріңіз. Аспаптың зақымдалған бөліктерін оны қолдану алдында жөндеуге өткізіңіз.** Электр құралына техникалық қызмет көрсету ережелерін сақтамау көп сәтсіз жағдайлардың себебі болып табылады.
- ▶ **Кескіш аспаптардың үшкір және таза болуын қадағалау керек.** Жұмыс күйінде сақталатын кескіш аспаптардың сыналануы сиректеу болады, оларды басқару жеңілдеу.
- ▶ **Электр құралын, саймандарды, көмекші құрылғыларды және т.б. нұсқауларға сай пайдаланыңыз.** Бұл кезде жұмыс жағдайларын және орындалатын жұмыстың сипатын ескеріңіз. Электр құралдарын басқа мақсаттарда қолдану қауіпті жағдайларға әкелуі мүмкін.
- ▶ **Тұтқыштар мен тұтқыш беттерін таза, құрғақ, май іздерінсіз ұстаңыз.** Сырғанақ тұтқыштар мен олардың беттері белгілі бір жағдайларда электр құралының қауіпсіз қолданылуы мен басқарылуына жол бермейді.

#### **Аккумуляторлық аспапты пайдалану және оған қарау**

- ▶ **Аккумуляторды тек өндіруші ұсынған зарядтағыш құрылғылардың көмегімен зарядтаңыз.** Зарядтағыш құрылғыны тиісті емес аккумулятор түрлерін зарядтау үшін қолданғанда өрт туындауы мүмкін.
- ▶ **Аспаппен жұмыс істеу үшін тек тиісті аккумуляторларды қолданыңыз.** Басқа аккумуляторларды пайдалану жарақаттарға әкелуі және өрт тудыруы мүмкін.
- ▶ **Пайдаланылмайтын аккумуляторларды контакттардың тұйықталуының себебі болуы мүмкін скрепалардан, тындардан, кілттерден, инелерден, винттерден және басқа металл заттардан ары сақтаңыз.** Аккумулятор контактарының тұйықталуы күйіктерге немесе тұтануға әкелуі мүмкін.



- ▶ **Аккумулятормен тиісті емес түрде жұмыс істегенде одан электролит ағып шығуы мүмкін. Оған тиюді болдырмаңыз. Кездейсоқ тигенде сумен шайыңыз. Электролит көзге тигенде дәрігер көмегіне жүгініңіз.** Аккумулятордан ағып шыққан электролит тері тітіркенуін немесе күйіктерді тудыруы мүмкін.
- ▶ **Зақымдалған не пішіні өзгертілген аккумуляторларды қолданбаңыз.** Зақымдалған не пішіні өзгертілген аккумуляторларды болжауға болмайды және олар өрт, жарылыс не жарақаттану қаупін тудырады.
- ▶ **Аккумуляторды өрт не жоғары температуралы аймақтардан алшақ ұстаңыз.** Өрт немесе 130 °C (265 °F) жоғары температуралар жарылыс тудыруы мүмкін.
- ▶ **Зарядтау үшін барлық нұсқауларды орындаңыз және аккумулятор не аккумуляторлық құралды ешқашан пайдалану бойынша нұсқаулықта берілген температура ауқымдарынан тыс зарядтамаңыз.** Қате зарядтау немесе рұқсатты температура ауқымдарынан тыс зарядтау аккумуляторды бұзуы және өрт қаупін арттыруы мүмкін.

#### Қызмет

- ▶ **Электр құралын жөндеуді тек түпнұсқа қосалқы бөлшектерді қолданатын білікті қызметкерлерге сеніп тапсырыңыз.** Бұл электр құралын қауіпсіз күйде сақтауды қамтамасыз етеді.
- ▶ **Зақымдалған аккумуляторларға ешқашан қызмет көрсетпеңіз.** Аккумулятордың толық күтімін тек өндіруші немесе өкілетті қызмет көрсету орталықтары орындауы тиіс.

#### 2.1.2 Қауіпсіздік бойынша негізгі нұсқаулар

Осы пайдалану бойынша нұсқаулықтың бөлек тарауларында берілген қауіпсіздік нұсқауларына қоса, төменде берілген нұсқауларды қатаң сақтау керек.

##### Адамдардың қауіпсіздігі

- ▶ Құрылғыда ешқашан бейімдеу не өзгерту жұмыстарын орындамаңыз.
- ▶ Сәйкес аспапты пайдаланыңыз. Аспапты арнайы мақсатынан тыс пайдалануға тыйым салынады, оны тек мақсатына сай және техникалық мінсіз күйде пайдалануға болады.
- ▶ Құрылғы тек бір жақты тойтармаларды өңдеуге арналған.
- ▶ Сақ болыңыз, не істеп жатқаныңызды қадағалаңыз және аспаппен жұмыс істегенде ақылды пайдаланыңыз. Көңіліңізді бірдеңе аударса, жұмысты тоқтатыңыз.
- ▶ Зақым алу қаупінен сақтану үшін тек түпнұсқа **Hilti** компаниясы өндірген немесе сапасы соған тең керек-жарақтар мен қосалқы бөлшектерді пайдаланыңыз.
- ▶ Аспаппен бірге тек рұқсат етілген бекіту элементтерін қолданыңыз.
- ▶ Пайдалануға, күтуге және техникалық қызмет көрсетуге қатысты Пайдалану бойынша нұсқаулықта басып шығарылған ақпаратты орындаңыз.
- ▶ Аспапты өзіңізге немесе басқа адамдарға бағыттамаңыз.
- ▶ Құрылғыны қолыңызға немесе денеңіздің қандай да бір бөлігіне (не басқа адам денесінің бөлігіне) қысып баспаңыз.
- ▶ Элементтерді негізгі металға ғана қойыңыз. Элементтерді басқа беттерге қоймаңыз.
- ▶ Құрылғы негіз материалына тиіп тұрса және толықтай басылса ғана триггерді пайдаланыңыз.
- ▶ Бекіту элементінің астыңғы беттен ауытқып кетуін болдырмау үшін, қондыру барысында қондыру құралын әрдайым астыңғы бетке қарай тіке ұстаңыз.
- ▶ Элементті екінші рет орнатпаңыз, себебі элементтер зақымдалуы мүмкін.
- ▶ Майланған тұтқыштарды дереу тазалаңыз, олар құрғақ және таза болуы керек.
- ▶ Зарядталған аспапты ешқашан қараусыз қалдырмаңыз.
- ▶ Тазалау, қызмет көрсету немесе жөндеу жұмыстарының алдында тойтарманы міндетті түрде алып тастаңыз.
- ▶ Ешқашан аспапты қараусыз қалдырмаңыз.
- ▶ Пайдаланылмайтын құралды (алып тасталған тойтарма) құрғақ, жабық және балалардың қолы жетпейтін жерде сақтаңыз.
- ▶ Құрылғыны ыстық болып тұрғанда бөлшектемеңіз, бұл мүмкін болмаса, қорғаныс қолғабын киіңіз.
- ▶ Ақаулықтары болса немесе басқару бөлшектері ақаулы жұмыс істесе, аспаппен ешқашан жұмыс істемеңіз. Аспапты **Hilti** қызмет көрсету орталығында жөндеңіз.
- ▶ Өнімде біржақты тойтарма бар болса, қосқышын баспаңыз.
- ▶ Жарыққа (жарық диоды) тікелей қарамаңыз және жарықты басқа адамдардың көзіне тікелей бағыттамаңыз. Соқырлық қаупі бар.

##### Жұмыс орнындағы қауіпсіздік

- ▶ Жұмыс орнын жақсы жарық түсумен қамтамасыз етіңіз.



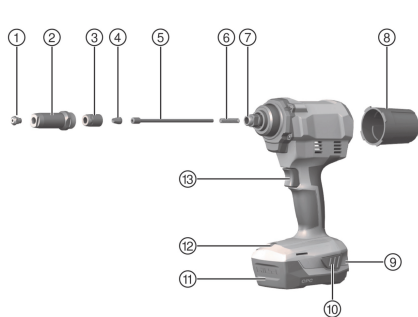
- ▶ Жұмыс орнында тәртіпті сақтаңыз. Жұмыс ортасын жарақаттауы мүмкін нысандардан бос күйде сақтаңыз.
- ▶ Табаны сырғымайтын аяқ киімді пайдаланыңыз.
- ▶ Құрылғыны пайдаланған кезде немесе оның жанында болғанда, қорғаныс көзілдірігін, каска, қорғаныс құлаққабы мен қолғабын киіңіз.
- ▶ Өнім пайдаланылмаған кезде, оны және біржақты тойтармаларды жабық күйде және балалардың қолы жетпейтін жерде сақтаңыз.
- ▶ Адамдар мен балаларды жұмыс аймағына жақындатпаңыз.
- ▶ Ыңғайсыз қалыптарда жұмыс істемеңіз. Үнемі тұрақты күйді және тепе-теңдікті сақтаңыз.
- ▶ Элементтерді орнату алдында, бекітілетін пластиналардың артында элементтердің жоғын тексеріңіз.
- ▶ Қоршаған ортаның әсерін ескеріңіз. Аспапты өрт немесе жарылыс қаупі бар жерде қолданбаңыз.

### 2.1.3 Аккумулятормен дұрыс жұмыс істеу және оны дұрыс пайдалану

- ▶ Li-Ion аккумуляторын тасымалдау, сақтау және пайдалану бойынша арнайы нұсқаулардың талаптарын орындаңыз.
- ▶ Аккумуляторларды жоғары температуралар, тікелей күн сәулесі мен өрттен алшақ ұстаңыз.
- ▶ Аккумуляторларды бөлшектеуге, қысуға, 80°C (176°F) жоғары температураға дейін қыздыруға және жағуға тыйым салынады.
- ▶ Соққы тиген, бір метрден жоғары биіктіктен құлаған немесе басқа жолмен зақымдалған аккумуляторларды пайдалануға немесе зарядтауға болмайды. Мұндай жағдайда әрдайым **Hilti сервистік қызметіңізге** хабарласыңыз.
- ▶ Егер тиген кезде аккумулятор тым ыстық болса, ол ақаулы болуы мүмкін. Аккумуляторды тұтанғыш материалдардан жеткілікті қашықтықта орналасқан, жақсы көрінетін, тұтанбайтын жерге қойыңыз. Аккумуляторды суытыңыз. Аккумулятор бір сағаттан кейін елі де қолға ыстық болып тұрса, бұл оның ақаулы екендігін білдіреді. **Hilti қызмет көрсету орталығына** хабарласыңыз.

## 3 Сипаттама

### 3.1 Өнімге шолу



- ① Мүштік
- ② Болат гильза
- ③ Қысқыш патрон корпусы
- ④ Қысқыш патрон
- ⑤ Қысу втулкасы
- ⑥ Қысу серіппесі
- ⑦ Адаптер бөлшегі
- ⑧ Қабылдау резервуары
- ⑨ Аккумулятор зарядының күйі және қателер индикаторы
- ⑩ Зарядталу күйінің индикациясын белсендіру қосымша функциясы бар аккумуляторға арналған құлыптан босату түймесі
- ⑪ Аккумулятор
- ⑫ Жарықтандыру / артық жүктемені көрсететін жарық диодты индикатор
- ⑬ Сөндіргіш

### 3.2 Жеткізілім жинағы

Саңылаусыз тойтарма шеге қондыру құрылғысы, 4 ұштық, гайка кілті, алмалы-салмалы жинағыш резервуар, пайдалану бойынша нұсқаулық.

Өніміңіз үшін рұқсат етілген қосымша жүйелік өнімдерді **Hilti Store** дүкенінен немесе мына веб-сайттан табуға болады: [www.hilti.group](http://www.hilti.group)

### 3.3 Мақсатына сай қолдану

Сипатталған өнім аккумулятор арқылы жұмыс істейтін, тойтарма құралы болып табылады.



- ▶ Бұл өнім үшін тек B22 сериялы **Hilti** Li-Ion аккумуляторларын ғана пайдаланыңыз.
- ▶ Бұл аккумуляторлар үшін тек C4/36 сериялы **Hilti** зарядтағыш құрылғыларын пайдаланыңыз.

### 3.4 Литий-иондық аккумулятор зарядының индикаторы

Li-Ion аккумуляторының зарядтау күйі және аспаптағы ақаулықтар Li-Ion аккумуляторының индикаторында көрсетіледі. Li-Ion аккумуляторы зарядының индикаторы екі аккумуляторды босату түймесін басу арқылы көрсетіледі.

Құралдың бөлшектері	Сипаттамасы
4 жарық диоды жанады.	Зарядтау күйі: 75 % - 100 %
3 жарық диоды жанады.	Зарядтау күйі: 50 % - 75 %
2 жарық диоды жанады.	Зарядтау күйі: 25 % - 50 %
1 жарық диоды жанады.	Зарядтау күйі: 10 % - 25 %
1 жарық диоды жыпылықтайды.	Зарядтау күйі: < 10 %
1 жарық диоды жыпылықтайды, аспап жұмысқа дайын емес.	Аккумулятор қызып кетті немесе заряды толығымен бітті.
4 жарық диоды жыпылықтайды, аспап жұмысқа дайын емес.	Аспап қызып кетті немесе оған шамадан тыс жүктеме түсті.

- i** Негізгі сөндіргіш басылып тұрғанда және негізгі сөндіргішті жібергеннен 5 секундтан кейін зарядтау күйіне сұрау салу мүмкін болмайды.  
Аккумулятор индикаторының жарық диодтары жыпылықтаған жағдайда «Ақаулықтардағы көмек» бөліміндегі нұсқауларға назар аударыңыз.

### 3.5 Артық жүктемеден қорғаныс

Құрылғыға артық жүктеме түссе, ол автоматты түрде өшіп қалады, ал артық жүктеме жарық диоды 10 с бойы жыпылықтап тұрады.

- i** Құрылғыны осы уақытта пайдалану мүмкін емес. Жалпы, артық жүктеме беру механизміндегі қалдықтардан пайда болды, оны тиісті түрде тазалау қажет. Ол үшін "Техникалық қызмет көрсету және күтім жасау" тарауындағы қалдықтарды кетіру туралы нұсқауларды орындаңыз. Бітелген жері тазаланса, құрылғыны пайдалана беруге болады.

## 4 Техникалық сипаттамалар

	RT 6-A22
Номиналды кернеу	21,6 В
ЕРТА Procedure 01 бойынша салмағы, B22/8.0 аккумуляторын қоса	2,7 кг
Жүріс ұзындығы	25 мм

### 4.1 Аккумулятор

Аккумулятордың жұмыс кернеуі	21,6 В
Жұмыс кезіндегі қоршаған орта температурасы	-17 °C ... 60 °C
Сақтау температурасы	-20 °C ... 40 °C
Зарядтаудың басындағы аккумулятор температурасы	-10 °C ... 45 °C

### 4.2 EN 62841 стандарты бойынша шуыл туралы ақпарат және діріл мәні

Осы нұсқауларда көрсетілген дыбыс қысымы мен діріл деңгейі стандартты өлшеу әдісімен өлшенген және оны басқа электр құралдарымен салыстыру үшін пайдалануға болады. Сонымен бірге, ол экспозицияны алдын ала бағалау үшін жарайды.

Берілген деректер электр құралының негізгі жұмысын көрсетеді. Алайда, егер электр құралы басқа мақсаттарда, басқа жұмыс аспаптарымен қолданылса немесе оған қанағаттандырмайтын техникалық қызмет көрсетілсе, деректер өзгеше болуы мүмкін. Осының салдарынан аспаптың бүкіл жұмыс істеу кезеңінде экспозиция айтарлықтай артуы мүмкін.



Экспозицияны дәл анықтау үшін аспап сәндірілген күйде немесе бос жұмыс істейтін уақыт аралықтарын да ескеру керек. Осының салдарынан аспаптың бүкіл жұмыс істеу кезеңінде экспозиция айтарлықтай азаюы мүмкін.

Пайдаланушыны пайда болатын шуылдан және/немесе дірілден қорғау үшін қосымша сақтық шараларын қолданыңыз, мысалы: электр аспабына және жұмыс аспаптарына техникалық қызмет көрсету, қолдардың жылуын сақтау, жұмыс процестерін дұрыс ұйымдастыру.

#### Шуыл туралы ақпарат

	RT 6-A22
<b>Дыбыстық қуат деңгейі, LWA</b>	98,9 дБ(A)
<b>Дыбыстық қуат деңгейі бойынша дәлсіздік, KWA</b>	3 дБ(A)
<b>Эмиссиялық дыбыстық қысым деңгейі, LpA</b>	85,9 дБ(A)
<b>Дыбыстық қысым деңгейі бойынша дәлсіздік, KpA</b>	3 дБ(A)

#### Діріл туралы ақпарат

	RT 6-A22
<b>Діріл көрсеткіші, ah,D</b>	0,94 м/с <sup>2</sup>
<b>Жоғарыда берілген діріл көрсеткіштерінің дәлсіздігі, K</b>	0,033 м/с <sup>2</sup>

### 4.3 Пайдаланылатын жасырын тойтармалар үшін мүштікті орналастыру

Мүштік атауы	Барлық стандартты дайындамаларға арналған жасырын тойтарма диаметрі
RTN 2.4, NP 2.4	2,4 мм
RTN 3.2, NP 3.2	3,2 мм
RTN 4.0, NP 4.0	4,0 мм
RTN 4.8, NP 4.8	4,8 мм 5,0 мм (тек алюминий жасырын тойтармалар)

## 5 Жұмысқа дайындық

### 5.1 Жұмысқа дайындық

#### ЕСКЕРТУ

**Жарақат алу қаупі абайсыздан қосылу себебінен!**

- ▶ Аккумуляторды орнату алдында оған қатысты өнімнің өшірілгеніне көз жеткізіңіз.
- ▶ Аспап реттеулерін орындау немесе қосалқы бөлшектерді алмастыру алдында аккумуляторды шығарыңыз.

Осы құжаттамадағы және өнімдегі қауіпсіздік және ескерту нұсқауларын орындаңыз.

#### 5.1.1 Аккумуляторды зарядтау

1. Зарядтау алдында зарядтағыш құрылғының пайдалану бойынша нұсқаулығын оқып шығыңыз.
2. Аккумулятордағы және зарядтағыш құрылғыдағы контактілердің таза әрі құрғақ екендігіне көз жеткізіңіз.
3. Аккумуляторды рұқсат етілген зарядтағыш құрылғы ішінде зарядтаңыз. 42

#### 5.1.2 Аккумуляторды орнату

#### ЕСКЕРТУ

**Жарақат алу қаупі қысқа тұйықталудан немесе аккумулятордың құлауынан!**

- ▶ Аккумуляторды орнату алдында аккумулятор контактілерінде және өнімдегі контактілерде бөгде заттардың жоқтығына көз жеткізіңіз.
- ▶ Аккумулятордың әркез дұрыс орнатылғанына көз жеткізіңіз.

1. Аккумуляторды алғаш рет іске қоспас бұрын зарядтаңыз.
2. Аккумуляторды өнімге шөрту дыбысымен тірелгенше кіргізіңіз.
3. Аккумулятордың аспапқа берік бекітілгенін тексеріңіз.





### 5.1.3 Аккумуляторды шығару

1. Аккумулятордың босату түймелерін басыңыз.
2. Аккумуляторды аспаптан шығарыңыз.

### 5.1.4 Мүштікті ауыстыру

#### АБАЙЛАҢЫЗ

**Жарақат алу қаупі** Бір жақты тойтарма сізді жарақаттауы мүмкін.

► Орнату құрылғысында бір жақты тойтарманың бар-жоғын тексеріңіз.

1. Ауыстырып-қосқышты басып тұрыңыз.
2. Мүштікті тиісті сақиналы кілт (SW 12) арқылы ашып, бұрап босатыңыз.
3. Жаңа мүштікті бұрап босатыңыз.
4. Мүштікті тиісті сақиналы сомын арқылы бекітіңіз.

## 6 Жұмыс істеу

### 6.1 Бір жақты тойтарманы орнату

1. Мүштікке сәйкес келетін тиісті тойтарма диаметрін орнатыңыз.
2. Бір жақты тойтарманы мүштікке салыңыз.
3. Өнімді жұмыс бөлшегіне тегістеп қойыңыз.



Тек алдын ала тесілген бөлшектерд ғана бекітуге болады.

4. Бір жақты тойтарманы орнату үшін ауыстырып-қосқышты бірден басыңыз.
5. Қабылдау резервуарындағы өзекті тойтарманы алып тастау үшін өнімді артқа шалқайтыңыз.

### 6.2 Қабылдау резервуарын босату

#### АБАЙЛАҢЫЗ

**Мүлікке залал келтіру** Қыспа төлке зақымдалуы және тойтарма қысылып қалуы мүмкін.

► Қабылдау резервуарын жүйелі түрде босатып тұрыңыз (әр 50 қондыру әрекетінен кешіктірмей).

1. Қабылдау резервуарын сағат тіліне қарсы бағытта бұраңыз.
2. Қабылдау резервуарын босатыңыз.
3. Қабылдау резервуарын өнімге қарай бұрап қойыңыз.

## 7 Құрылғыға техникалық қызмет көрсету және күтім жасау

### 7.1 Металл қалдықтарды кетіру

1. Тиіст сомын кілтінің (SW 24) көмегімен болат гильзаны босатыңыз.
2. Болат гильзаны толықтай бұрап шығарыңыз
3. Оны абайлап алыңыз.
4. Мүштікті бұрап шығарып, металл қалдықтардың барлығын кетіргенше болат втулканы матамен тазалаңыз.
5. Мүштікті орнына бұрап бекітіңіз.
6. Патрон корпусын тиісті сақиналы кілт (SW 17) арқылы ашып, оны толықтай бұрап босатыңыз.
7. Үш бөлшекті патронды (жұдырықшаны) алып тастаңыз.
8. Қысқыш патрон корпусын абайлап басыңыз.
9. Барлық металл қалдықтар жойылғанша, жемірілуге қарсы жабынмен бүркілген патрон корпусы мен патрон жұдырықшаларын тазалаңыз.



Патрон жұдырықшалары тозса, оларды ауыстырыңыз.

10. Қысу серіппесі бар втулканы алып тастаңыз.
11. Қысу втулкасы мен серіппені матамен тазалаңыз.
12. Адаптер блогын матамен тазалаңыз.



13. Байланыстырғыш біліктің берік бекітілуін қамтамасыз ету үшін 15 мм кілтті пайдаланыңыз.
14. Енді барлық бөлшектерді кері ретпен ауыстырыңыз.



Втулка мен корпусың сыртын **Hilti** майлағышымен майлаңыз.  
Қысқыш патрон корпусына майлағышты бүркіңіз.

15. Болат гильзаны тиісті сомын кілтімен (SW 24) бекітіңіз.

## 7.2 Қысқыш патрон корпусынан металл бөлшектерді алу

1. Тиіст сомын кілтінің (SW 24) көмегімен болат гильзаны босатыңыз.
2. Болат гильзаны толықтай бұрап шығарыңыз.
3. Оны абайлап алыңыз.
4. Патрон корпусын тиісті сақиналы кілт (SW 17) арқылы ашып, оны толықтай бұрап босатыңыз.
5. Патрон корпусын абайлап басыңыз.
  - ▶ Үш құрамдасты бөлшектер мен металл бөлшектер түсіп шығады.
6. Енд барлық бөлшекті кері ретпен ауыстырыңыз.



Патрон корпусына бір тамшы май жағыңыз.

7. Болат гильзаны тиісті сомын кілтімен (SW 24) бекітіңіз.

## 7.3 Қысқыш патрон корпусының дұрыс орнатылғанын тексеру

1. Тиісті сомын кілтін алып, болат гильзаны босатыңыз.
2. Болат гильзаны толықтай бұрап шығарыңыз
3. Қысқыш патрон корпусының дұрыс орнатылғанын тексеріңіз.
4. Қажет болса, қысқыш патрон корпусын адаптерге бұрап бекітіңіз.
5. Болат гильзаны бұрап босатыңыз.
6. Болат гильзаны тиісті сомын кілтімен бекітіңіз.

## 7.4 Күтім және техникалық қызмет көрсету



### ЕСКЕРТУ

**Аккумулятор енгізілген кезде жарақат алу қаупі бар !**

- ▶ Күтім және техникалық қызмет көрсету бойынша кез келген жұмыстарды орындамас бұрын әрдайым аккумуляторды шығарыңыз!

### Өнімге қызмет көрсету

- Қатты жабысып қалған кірді абайлап кетіріңіз.
- Бр болса, желдету саңылауларын құрғақ, жұмсақ қылшақпен мұқият тазалаңыз.
- Корпусты сәл суланған шүберекпен ғана тазалаңыз. Ешқандай силикон қамтитын күтім құралдарын пайдаланбаңыз, себебі олар пластик бөлшектерге зақым келтіруі мүмкін.
- Өнімнің контактілерін тазалау үшін таза, құрғақ шүберекті қолданыңыз.

### Литий-иондық аккумуляторға қызмет көрсету

- Еш жағдайда желдету саңылаулары бітелген аккумуляторды қолданбаңыз. Желдету саңылауларын құрғақ, жұмсақ қылшақпен жақсылап тазалаңыз.
- Аккумуляторға шаңның немесе кірдің қажетсіз тиюіне жол бермеңіз. Аккумуляторға қатты ылғалдың тиюіне ешқашан жол бермеңіз (мысалы, суға батыру немесе жаңбыр астына қою арқылы). Аккумулятор су болса, оны зақымдалған аккумулятор ретінде қарастырыңыз. Оны тұтанбайтын контейнерге оқшаулап, **Hilti** қызмет көрсету орталығына хабарласыңыз.
- Аккумуляторды бөгде май мен майлағыштан таза ұстаңыз. Аккумуляторда шаң не кірдің қажетсіз жиналуына жол бермеңіз. Аккумуляторды құрғақ, жұмсақ қылшақпен немесе таза, құрғақ шүберекпен тазалаңыз. Ешқандай силикон қамтитын күтім құралдарын пайдаланбаңыз, себебі олар пластик бөлшектерге зақым келтіре алады.  
Аккумулятордың контактілеріне тиіменіз және зауыттан тыс қолданылған майды контактілерден кетіріңіз.
- Корпусты сәл суланған шүберекпен ғана тазалаңыз. Ешқандай силикон қамтитын күтім құралдарын пайдаланбаңыз, себебі олар пластик бөлшектерге зақым келтіруі мүмкін.



### Техникалық қызмет көрсету

- Көзге көрінетін барлық бөлшектерде зақымдардың бар-жоғын және басқару элементтерінің ақаусыз жұмысын жиі тексеріп тұрыңыз.
- Өнім зақымдалған және/немесе ақаулы болған жағдайда, оны пайдаланушы болмаңыз. Өнімді міндетті түрде **Hilti** қызмет көрсету орталығында жөндетіңіз.
- Күтім және техникалық қызмет көрсету жұмыстарынан кейін барлық қорғаушы құрылғыларды орнатып, олардың ақаусыз жұмыс істегенін тексеріңіз.



Қауіпсіз жұмысты қамтамасыз ету үшін тек түпнұсқа қосалқы бөлшектер мен шығын материалдарын қолданыңыз. **Hilti** мақұлдаған қосалқы бөлшектер, шығын материалдары мен өнімге арналған керек-жарақтар **Hilti Store** дүкенінде немесе келесі веб-сайтта қолжетімді: [www.hilti.group](http://www.hilti.group)

## 8 Аккумуляторлық құралдар мен аккумуляторларды тасымалдау және сақтау

### Тасымалдау

#### АБАЙЛАҢЫЗ

#### Тасымалдау кезіндегі кенет іске қосылу !

- ▶ Өніміңізді әрдайым аккумуляторын шығарып алып тасымалдаңыз!
- ▶ Аккумулятор(лар)ды шығарыңыз.
- ▶ Аккумуляторларды ешқашан үймеде тасымалдамаңыз. Тасымалдау барысында аккумуляторларды шамадан артық соққы мен дірілден қорғау және олардың басқа батарея полюстерімен жанасуына және қысқа тұйықталудың туындауына жол бермеу үшін кез келген ток өткізгіш материалдардан немесе басқа аккумуляторлардан оқшаулау керек. **Аккумуляторларға арналған жергілікті тасымалдау ережелерін сақтаңыз.**
- ▶ Аккумуляторларды поштамен жіберуге болмайды. Зақымдалмаған аккумуляторларды жіберу қажет болғанда, жеткізуші кәсіпорындарға хабарласыңыз.
- ▶ Өнім мен аккумуляторларды әр пайдаланбас бұрын және ұзақ уақыт бойы тасымалдағаннан кейін зақымдардың бар-жоғын тексеріп шығыңыз.

### Сақтау

#### ЕСКЕРТУ

#### Бүлінген немесе заряды таусылған аккумуляторлардан күтілмеген зақымдалу !

- ▶ Өніміңізді әрдайым аккумуляторын шығарып алып сақтаңыз!
- ▶ Өнім мен аккумуляторларды салқын және құрғақ жерде сақтаңыз. Техникалық деректерде көрсетілген температураның шектік мәндерін ескеріңіз.
- ▶ Аккумуляторларды зарядтағыш құрылғыда сақтамаңыз. Аккумуляторды зарядтағаннан кейін әрдайым зарядтағыш құрылғыдан шығарыңыз.
- ▶ Аккумуляторларды еш жағдайда күн мен жылу көздерінің астында немесе шыны әйнек артында сақтамаңыз.
- ▶ Өнім мен аккумуляторларды балалар мен рұқсаты жоқ адамдардың қолы жетпейтін жерде сақтаңыз.
- ▶ Өнім мен аккумуляторларды әр пайдаланбас бұрын және ұзақ уақыт бойы сақтағаннан кейін зақымдардың бар-жоғын тексеріп шығыңыз.

## 9 Ақаулықтардағы көмек

Бұл кестеде келтірілмеген немесе өзіңіз түзете алмайтын ақаулықтар орын алғанда, **Hilti** қызмет көрсету орталығына хабарласыңыз.

### 9.1 Бір жақты тойтарманы орнату құралы істен шықты

Ақаулық	Ықтимал себеп	Шешім
Жарық диодтары өшірулі.	Аккумулятор толығымен салынбаған.	▶ Аккумуляторды шерту дыбысы естілгенше тіркеңіз.
	Аккумулятор зарядын босатыңыз.	▶ Аккумуляторды алмастырып, бос аккумуляторды зарядтаңыз.



Ақаулық	Ықтимал себеп	Шешім
Жарық диодтары өшірулі.	Аккумулятор қызып немесе суып кетті.	▶ Аккумуляторды жұмыс температурасына дейін жеткізіңіз.
1 жарық диоды жыпылықтайды.	Аккумулятор зарядын босатыңыз.	▶ Аккумуляторды алмастырып, бос аккумуляторды зарядтаңыз.
	Аккумулятор қызып немесе суып кетті.	▶ Аккумуляторды жұмыс температурасына дейін жеткізіңіз.
4 жарық диоды жыпылықтайды.	Өнімге қысқа мерзімді артық жүктеме түсті.	▶ Негізгі сөндіргішті босатып, қайта басыңыз.
	Қызып кетуден қорғау.	▶ Өнімді суытып, желдету саңылауларын тазалап шығыңыз.
Артық жүктеме жарық диоды 10 секунд бойы жыпылықтайды.	Артық жүктемеден қорғану.	▶ Металл қалдықтарды кетіріңіз . 45
Бір жақты тойтарма орнатылмады.	Аккумулятор зарядын босатыңыз.	▶ Аккумуляторды алмастырып, бос аккумуляторды зарядтаңыз.
	Патрон жұдырықшалары кір немесе тозған.	▶ Патрон жұдырықшаларын ауыстырыңыз немесе 45 тазалаңыз.
	Патрон корпусы дұрыс бұрап бекітілмейді.	▶ Патрон корпусын дұрыс бекітіңіз . 46
	Қысу серіппесі әлсіз немесе ақаулы.	▶ Қысу серіппесін ауыстырыңыз . 45
Тойтарма дорндары жойылмаған.	Дұрыс мүштік пайдаланылмады.	▶ Мүштікті ауыстырыңыз . 45
	Мүштік тозған.	▶ Мүштікті ауыстырыңыз . 45
	Тойтарма өзекшесі патронның қысқыш жұдырықшасына кіріп тұрады.	▶ Патрон корпусынан тойтарма өзекшесінің қалдықтарын кетіріңіз . 46
	Болат гильза кір.	▶ Болат гильзаны тазалаңыз . 45
	Қабылдау резервуары толып кетті.	▶ Қабылдау резервуарын босатыңыз . 45

## 10 Көдеге жарату

**Hilti** аспаптары қайта өңдеу үшін жарамды көптеген материалдардың санын қамтиды. Көдеге жарату алдында материалдарды мұқият сұрыптау керек. Көптеген елдерде **Hilti** компаниясы ескі аспабыңызды қайта өңдеу үшін қайта қабылдайды. **Hilti** қызмет көрсету орталығынан немесе дилеріңізден сұраңыз.



- ▶ Электр құралдарды, электрондық құрылғылар мен аккумуляторларды тұрмыстық қоқыспен бірге тастамаңыз!

## 11 RoHS (зиянды заттектердің пайдаланылуын шектеу директивасы)

Төмендегі сілтеме бойынша зиянды заттектердің кестесі келтірілген: [qr.hilti.com/r9615527](http://qr.hilti.com/r9615527).  
RoHS кестесінің сілтемесі осы құжаттаманың соңында QR коды ретінде берілген.

## 12 Өндіруші кепілдігі

- ▶ Кепілдік шарттары туралы сұрақтарыңыз болса, жергілікті **Hilti** серіктесіне жолығыңыз.



# 오리지널 사용 설명서

## 1 사용 설명서 관련 정보

### 1.1 본 사용 설명서에 관하여

- 처음 이 제품을 사용하기 전에 본 사용 설명서를 읽으십시오. 안전하게 작업하고 문제 없이 취급하기 위한 전제가 됩니다.
- 본 사용 설명서 및 제품에 나와 있는 안전상의 주의사항 및 경고 지침에 유의하십시오.
- 항상 제품에 있는 사용 설명서를 잘 보관하고 제품은 반드시 본 사용 설명서와 함께 다른 사람에게 전달하십시오.

### 1.2 기호 설명

#### 1.2.1 경고사항

본 제품을 다루면서 발생할 수 있는 위험에 대한 경고사항. 다음과 같은 시그널 워드가 사용됩니다.

#### 위험

위험!

- ▶ 이 기호는 직접적인 위험을 표시합니다. 만약 지키지 않으면 심각한 부상을 당하거나 사망할 수도 있습니다.

#### 경고

경고!

- ▶ 이 기호는 잠재적인 위험을 표시합니다. 만약 지키지 않으면 심각한 부상을 당하거나 사망할 수도 있습니다.

#### 주의

주의!

- ▶ 이 기호는 잠재적인 위험 상황을 표시합니다. 만약 지키지 않으면 부상 또는 물질 손실을 입을 수 있습니다.

#### 1.2.2 문서에 사용된 기호

본 문서에서 사용되는 기호는 다음과 같습니다.

	사용하기 전에 사용설명서를 읽으십시오.
	적용 지침 및 기타 유용한 사용정보
	재사용이 가능한 자재 취급방법
	전기 기기 및 배터리를 일반 가정의 쓰레기처럼 폐기해서는 안 됨

#### 1.2.3 그림에 사용된 기호

다음과 같은 기호가 그림에 사용됩니다.

	이 숫자는 본 설명서의 첫 부분에 있는 해당 그림을 나타냅니다.
	매겨진 숫자는 작업 단계의 순서를 나타내며, 텍스트에 매겨진 작업 단계와 차이가 있을 수 있습니다.
	항목 번호는 개요 그림에서 사용되며, 제품 개요 단락에 나와 있는 기호 설명 번호를 나타냅니다.
	이 표시는 제품을 다룰 때, 특별히 주의할 사항을 나타냅니다.

### 1.3 제품 관련 기호

#### 1.3.1 제품에 사용된 기호

제품에 사용되는 기호는 다음과 같습니다.



	보안경 착용
	귀마개 착용
	안전모 착용
	직류
	본 기기는 iOS 및 Android 플랫폼과 호환 가능한 NFC 기술을 지원합니다.
	리튬이온 배터리
	사용한 Hilti 리튬이온 배터리 모델 시리즈. 규정에 맞는 사용 단원에 제시된 내용에 유의하십시오.
	배터리는 절대 타격 공구로 사용해서는 안 됩니다.
	배터리를 떨어뜨리지 마십시오. 타격을 받은 적이 있거나 다른 손상이 있는 배터리는 사용하지 마십시오.

#### 1.4 제품 정보

**HILTI** 제품은 전문가용으로 설계되어 있으며, 해당 교육을 이수한 공인된 작업자를 통해서만 조작, 유지 보수 및 수리 작업을 진행할 수 있습니다. 이 기술자는 발생할 수 있는 위험에 대해 특별 교육을 받은 상태여야 합니다. 교육을 받지 않은 사람이 제품을 부적절하게 취급하거나 규정에 맞지 않게 사용할 경우에는 기기와 그 보조기구에 의해 부상을 당할 위험이 있습니다.

형식 명칭 및 일련 번호는 형식 라벨에 제시되어 있습니다.

▶ 일련 번호를 다음의 표에 옮기십시오. 대리점 또는 서비스 센터에 문의할 경우 제품 재원이 필요합니다.

##### 제품 재원

블라인드 리벳 타정기, 배터리 구동식	RT 6-A22
세대:	01
일련 번호:	

#### 1.5 적합성 선언

폐사는 전적으로 책임을 지고 여기에 기술된 제품이 통용되는 기준과 규격에 일치함을 공표합니다. 적합성 증명서 사본은 본 문서 끝 부분에서 확인할 수 있습니다.

기술 문서는 이곳에 기술되어 있습니다.

Hilti Entwicklungsgesellschaft mbH | Zulassung Geräte | Hiltistraße 6 | 86916 Kaufering, DE

## 2 안전

### 2.1 안전상의 주의사항

#### 2.1.1 전동 공구에 대한 일반적인 안전상의 주의사항

**⚠ 경고** 해당 전동 공구와 함께 동봉된 모든 안전상의 주의 사항, 지침, 그림 및 기술자료를 숙지하십시오. 다음과 같은 지침 내용을 준수하지 않으면 전기 충격, 화재가 발생하거나 그리고/또는 중상을 입을 수 있습니다. 앞으로 모든 안전상의 주의사항과 지침을 보관하십시오.

안전상의 주의사항에서 사용되는 "전동 공구"라는 개념은 전원에 연결하여 사용하는 전동 공구(전원 케이블 있음) 또는 배터리를 사용하는 전동 공구(전원 케이블 없음)를 의미합니다.

##### 작업장 안전수칙

- ▶ 작업장을 항상 깨끗이 하고 조명이 잘 들도록 하십시오. 어수선한 작업환경 또는 어두운 작업장은 사고를 초래할 수 있습니다.
- ▶ 인화성 액체, 가스 또는 먼지가 있어 폭발 위험이 있는 환경에서는 전동 공구를 사용하지 마십시오. 전동 공구는 먼지나 증기를 점화시킬 수 있는 스파크를 일으킵니다.
- ▶ 전동 공구를 사용할 때, 어린이들이나 다른 사람들이 작업장에 접근하지 못하도록 하십시오. 다른 사람의 방해로 인해 기기를 통제하기 어렵습니다.



### 전기에 관한 안전수칙

- ▶ 전동 공구의 전원 플러그가 소켓에 잘 끼워져야 합니다. 플러그를 절대 변형시켜서는 안됩니다. 집지된 전동 공구와 함께 아답타 플러그를 사용하지 마십시오. 변형되지 않은 플러그와 적합한 소켓을 사용하면 감전의 위험을 줄일 수 있습니다.
- ▶ 파이프, 히터, 전기레인지, 냉장고와 같은 접지 표면에 신체 접촉을 피하십시오. 신체에 닿을 경우 감전될 위험이 높습니다.
- ▶ 전동 공구가 비에 맞지 않도록 하고 습한 장소에 두지 마십시오. 전동 공구에 물이 들어가면 감전될 위험이 높습니다.
- ▶ 전원 케이블만 잡고 전동 공구를 운반하거나 걸어 놓아서는 안되며, 소켓에서 전원 플러그를 빼낼 때 케이블만 잡은 채로 빼내지 마십시오. 전원 케이블이 열, 오일, 날카로운 모서리 또는 부품의 가동 부위에 접촉하지 않도록 주의하십시오. 손상되거나 서로 꼬인 전원 케이블은 감전 위험을 높입니다.
- ▶ 실외에서 전동 공구를 이용하여 작업할 때, 실외용으로 승인된 연장 케이블만 사용하십시오. 실외용 연장 케이블을 사용하면 감전의 위험을 줄여줍니다.
- ▶ 전동 공구를 습한 환경에서 사용하는 것을 피할 수 없을 경우, 누전 차단기를 사용하십시오. 누전 차단기를 사용하면 감전 위험을 줄일 수 있습니다.

### 사용자 안전수칙

- ▶ 신중하게 작업하십시오. 작업에 정신을 집중하고 전동 공구를 사용할 때 경솔하게 행동하지 마십시오. 피곤하거나 항정신성 약물, 술 또는 약물 복용시에는 전동 공구를 사용하지 마십시오. 전동 공구 사용 시에 유의하지 않을 경우 심각한 부상을 초래할 수 있습니다.
- ▶ 안전 장비를 갖추고 보관경을 착용하십시오. 전동 공구의 종류와 사용에 따라, 먼지 보호 마스크, 미끄럼 방지용 안전 신발, 안전모 또는 귀마개 등과 같은 안전한 보호장비를 착용하면 부상의 위험을 줄일 수 있습니다.
- ▶ 실수로 기기가 작동하지 않도록 주의하십시오. 전동 공구를 전원 그리고/또는 배터리에 연결하기 전, 보관 또는 운반 전에 전동 공구가 스위치 OFF 상태인지 확인하십시오. 전동 공구 운반 시 스위치에 손가락을 대거나 스위치가 켜진 상태에서 전원을 연결하면 사고를 유발할 수 있습니다.
- ▶ 전동 공구의 스위치를 켜기 전, 조정공구 또는 렌치를 제거하십시오. 기기 회전부에 남아있는 공구나 렌치로 인해 부상을 입을 수 있습니다.
- ▶ 작업 시 비정상적인 자세는 피하십시오. 안전한 작업자세가 되도록 하고, 항상 균형을 유지하십시오. 이렇게 하여 예기치 않은 상황에서도 전동 공구를 잘 제어할 수 있습니다.
- ▶ 적합한 작업복을 착용하십시오. 헐렁한 복장이나 장식품을 착용하지 마십시오. 작동하는 기기 가동 부위에 머리, 옷 그리고 장갑이 가까이 닿지 않도록 주의하십시오. 헐렁한 복장, 장식품 혹은 긴 머리가 가동 부위에 말려 들어갈 수 있습니다.
- ▶ 먼지 제거장치나 수거장치를 설치할 수 있는 기기의 경우, 이 장치들이 연결되어 있는지 그리고 제대로 작동되는지를 확인하십시오. 먼지 포집장치 사용은 먼지로 인한 위험을 줄여줄 수 있습니다.
- ▶ 이 전동 공구를 여러번 사용해왔다고 해서 안전하다고 안심하지 말고 전동 공구에 해당되는 안전 규칙을 무시하지 마십시오. 부주의하게 행할 경우 아주 짧은 순간에 중상을 입을 수 있습니다.

### 전동 공구의 취급과 사용

- ▶ 기기에 과부하가 걸리지 않도록 하십시오. 귀하의 작업에 적합한 전동 공구를 사용하십시오. 적합한 전동 공구를 사용하면, 지정된 성능 한도 내에서 더 효율적으로 안전하게 작업할 수 있습니다.
- ▶ 스위치가 고장난 전동 공구는 사용하지 마십시오. 스위치가 작동되지 않는 전동 공구는 위험하므로, 반드시 수리를 해야 합니다.
- ▶ 기기 세팅을 실행, 액세서리를 교환 또는 기기를 보관하기 전에 컨택터를 전원소켓에서 그리고/또는 탈착식 배터리를 기기에서 빼놓으십시오. 이러한 조치는 실수로 전동 공구가 작동하지 않도록 방지합니다.
- ▶ 사용하지 않는 전동 공구는 어린이들의 손이 닿지 않는 곳에 보관하십시오. 기기 사용에 익숙하지 않거나 또는 이 안전수칙을 읽지 않은 사람이 기기를 사용해서는 안 됩니다. 비숙련자가 전동 공구를 사용하면 위험합니다.
- ▶ 전동 공구 및 액세서리를 유의해서 관리하십시오. 기기의 가동 부위가 완벽하게 작동하는지, 끼어 있지 않는지, 혹은 부품이 손상되거나 파손되어 있어 전동 공구의 기능을 저하시키지 않는지 점검하십시오. 기기 사용 전 손상된 부품을 수리하도록 하십시오. 제대로 관리되지 않은 전동 공구는 많은 사고를 유발합니다.
- ▶ 절단기기는 날카롭고 깨끗하게 관리하십시오. 날카로운 절단면이 있고 잘 관리된 절단기기는 끼이는 경우가 드물고 조절하기도 쉽습니다.
- ▶ 본 지침에 따라 전동 공구, 액세서리, 공구 비트 등을 사용하십시오. 이 때 작업 조건과 실시하려는 작업 내용을 고려하십시오. 원래 사용 분야가 아닌 다른 작업에 전동 공구를 사용할 경우, 위험한 상황을 초래할 수 있습니다.
- ▶ 손잡이 및 손잡이 표면은 건조하고 깨끗하게, 그리고 오일과 그리스가 묻어있지 않도록 해야 합니다. 미끄러운 손잡이 및 손잡이 표면은 예상치 못한 상황에서 전동 공구를 안전하게 조작하고 제어할 수 없습니다.



### 배터리 공구의 취급과 사용

- ▶ 제조회사가 권장한 충전기에만 배터리를 충전시키십시오. 특정한 형식의 배터리를 사용하도록 규정되어 있는 충전기에 다른 배터리를 사용할 경우 화재 발생의 위험이 있습니다.
- ▶ 전동 공구에 적합하게 규정된 배터리만 사용하십시오. 다른 배터리를 사용하면 부상을 입을 수 있고, 화재가 발생할 수 있습니다.
- ▶ 배터리를 사용하지 않을 경우 클립, 동전, 키, 못, 나사 또는 다른 소형 금속 물질로부터 사용하지 않는 배터리를 멀리 떨어뜨려 놓아주십시오. 배터리 간 단락으로 인한 연소 또는 화재를 초래할 수 있습니다.
- ▶ 잘못 사용할 경우, 배터리로부터 전해액이 흘러나올 수 있습니다. 전해액을 직접 만지지 마십시오. 실수로 만졌을 경우, 물로 씻으십시오. 전해액이 눈에 들어갔으면, 의사와 상담하십시오. 배터리로부터 흘러나온 전해액은 피부를 손상시킬 수 있으며, 화재를 발생시킬 수 있습니다.
- ▶ 손상된 배터리 또는 변경된 배터리를 사용하지 마십시오. 손상된 배터리 또는 변경된 배터리는 예상치 못한 상황 및 화재, 폭발 또는 부상 위험을 초래할 수 있습니다.
- ▶ 배터리에서 불꽃이 발생하거나 또는 배터리가 너무 높은 온도에 노출되지 않게 하십시오. 불꽃 또는 온도가 130 °C (265 °F)를 넘으면 폭발을 일으킬 수 있습니다.
- ▶ 충전에 관한 모든 지침을 준수하여 배터리 또는 배터리 공구를 절대 사용 설명서에 제시된 범위를 벗어난 온도에서 충전하지 마십시오. 잘못 충전하거나 허용된 범위를 벗어난 온도에서 충전하면 배터리가 파손되어 화재 발생 위험이 높아질 수 있습니다.

### 서비스

- ▶ 전동 공구는 반드시 자격을 갖춘 전문 기술자에 의해 그리고 순정 대체부품만 이용하여 수리해야 합니다. 이렇게 하여 기기의 안전성을 계속해서 유지할 수 있습니다.
- ▶ 손상된 배터리를 절대 수리하지 마십시오. 배터리 수리는 제조회사 또는 권한을 위임받은 고객 서비스센터에서만 이루어져야 합니다.

### 2.1.2 기본적인 안전상의 주의사항

본 사용 설명서 각 장에 수록된 안전 지침 외에도 다음과 같은 사항들을 항상 엄격하게 준수해야 합니다.

#### 사용자 안전수칙

- ▶ 어떠한 경우에도 기기를 변조 또는 개조하지 마십시오.
- ▶ 작업에 적합한 기기를 사용하십시오. 기기를 지정되지 않은 목적으로 사용해서는 안 됩니다. 규정에 따라 서만 그리고 완벽한 상태에서만 사용하십시오.
- ▶ 본 기기는 블라인드 리벳 작업 용도로만 사용됩니다.
- ▶ 신중하게 작업하십시오. 작업에 정신을 집중하고 기기를 사용할 때 경솔하게 행동하지 마십시오. 집중이 안 될 때에는 기기를 사용하지 마십시오.
- ▶ 부상 위험을 방지하려면, Hilti 순정품 액세서리 및 대체부품 또는 동일한 품질의 부품만 사용하십시오.
- ▶ 기기 전용으로 규정되고 허용된 고정 요소만 사용하십시오.
- ▶ 사용설명서에 제시되어 있는 작동, 관리 및 유지보수에 대한 정보에 유의하십시오.
- ▶ 기기를 사용자 또는 타인에게 향하지 않도록 하십시오.
- ▶ 기기를 손이나 또는 다른 신체부위 (또는 타인의 신체부위) 쪽으로 누르지 않도록 하십시오.
- ▶ 금속 모재에만 고정 요소를 타정하십시오. 다른 모재에는 고정 요소를 타정하지 마십시오.
- ▶ 기기가 금속 모재에 닿아 완전히 압착된 상태에서만 트리거를 작동하십시오.
- ▶ 타정 작업 시 모재의 고정 요소가 잘못 조항되는 일이 없도록 타정기는 항상 모재에 직각으로 위치시켜 잡으십시오.
- ▶ 어떠한 경우에도 고정 요소를 재타정하지 마십시오. 이로 인해 고정 요소가 파손될 수 있습니다.
- ▶ 손잡이는 건조하고 깨끗하게, 그리고 오일과 그리스가 묻어있지 않도록 해야 합니다.
- ▶ 작동준비된 상태의 기기를 무방비 상태로 방치해서는 안 됩니다.
- ▶ 청소 작업, 정비 작업 및 유지 작업을 하기 전에 항상 블라인드 리벳을 제거하십시오.
- ▶ 기기를 무방비 상태로 방치해서는 안 됩니다.
- ▶ 사용하지 않는 기기는 (블라인드 리벳을 제거한 상태로) 방전시켜 어린이의 손이 닿지 않는 건조하고 밀폐된 공간에 보관하십시오.
- ▶ 기기가 뜨거울 때 분해하지 마십시오. 불가피하게 분해해야 하는 경우 보호장갑을 착용하십시오.
- ▶ 부품이 손상되었거나 조작용소들이 완벽하게 작동하지 않을 경우에는 기기를 작동시키지 마십시오. Hilti 서비스 센터에서 기기를 수리 받으십시오.
- ▶ 블라인드 리벳이 기기에 있는 경우 스위치를 작동하지 마십시오.
- ▶ 조명(LED)을 직접 응시하거나 다른 사람의 얼굴을 비추지 마십시오. 실명 위험이 있습니다.

#### 작업장의 안전

- ▶ 작업장의 조명을 충분히 밝게 하십시오.
- ▶ 작업장을 깨끗하게 정돈하십시오. 부상을 초래할 수 있는 장애물을 작업영역에서 치우십시오.
- ▶ 미끄럼방지용 신발을 착용하십시오.





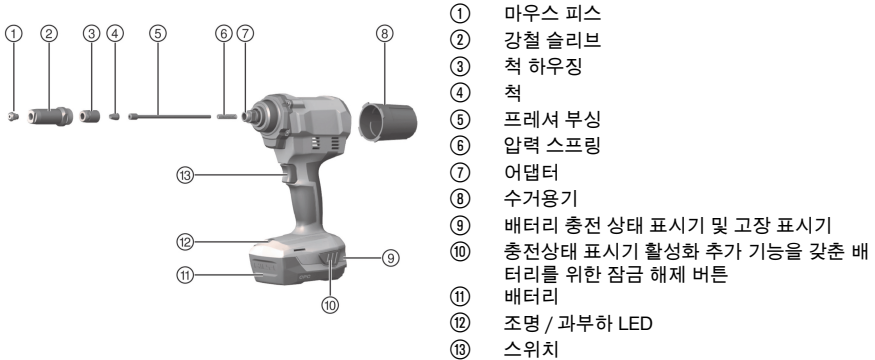
- ▶ 기기를 사용하는 동안 작업자 및 근처에 있는 사람들은 적합한 보안경, 보호 헬멧, 귀마개, 보호장갑을 착용하십시오.
- ▶ 사용하지 않을 경우, 기기 및 블라인드 리벳은 어린이의 손이 닿지 않는 곳에 잘 보관하십시오.
- ▶ 어린이 및 다른 사람들이 작업장에서 멀리 떨어져 있게 하십시오.
- ▶ 작업시 비정상적인 자세는 피하십시오. 안전한 작업자세가 되도록 하고, 항상 균형을 유지하십시오.
- ▶ 고정 요소를 타점 작업하기 전에, 고정시켜야 할 철판의 뒷면에 아무도 없는지 확인하십시오.
- ▶ 주위 환경을 고려하십시오. 화재 혹은 폭발의 위험이 있는 곳에서는 기기를 사용하지 마십시오.

### 2.1.3 배터리의 올바른 사용방법과 취급방법

- ▶ 리튬 이온 배터리의 운반, 보관 및 사용에 대한 특수 지침에 유의하십시오.
- ▶ 배터리를 고열, 직사광선 및 화염 근처에 두지 마십시오.
- ▶ 배터리를 분해하거나 강한 압력 또는 80°C (176°F) 이상의 열을 가하거나 연소시켜서는 안됩니다.
- ▶ 충격을 받은 적이 있거나, 1미터가 넘는 높이에서 떨어진 적이 있거나 혹은 다른 방식으로 손상된 배터리는 절대 사용하거나 충전하지 마십시오. 이러한 경우 항상 Hilti 서비스 센터로 문의해 주시기 바랍니다.
- ▶ 배터리를 잡기에 너무 뜨거운 경우에는 고장일 수 있습니다. 배터리를 인화성 물질과 충분한 거리를 둔 상태에서 눈에 잘 띄며 불이 잘 붙지 않는 장소에 두십시오. 배터리를 냉각시키십시오. 한 시간 후에도 계속 해서 배터리를 잡기에 너무 뜨거운 경우에는 배터리에 결함이 있을 수 있습니다. Hilti 서비스 센터에 문의 하십시오.

## 3 제품 설명

### 3.1 제품 개요 1



- ① 마우스 피스
- ② 강철 슬리브
- ③ 척 하우징
- ④ 척
- ⑤ 프레스 부싱
- ⑥ 압력 스프링
- ⑦ 어댑터
- ⑧ 수거용기
- ⑨ 배터리 충전 상태 표시기 및 고장 표시기
- ⑩ 충전상태 표시기 활성화 추가 기능을 갖춘 배터리를 위한 잠금 해제 버튼
- ⑪ 배터리
- ⑫ 조명 / 과부하 LED
- ⑬ 스위치

### 3.2 공급품목

블라인드 리벳 타점기, 마우스피스 4개, 렌치, 탈착식 수거용기, 사용 설명서.  
 해당 제품에 허용되는 기타 시스템 제품은 **Hilti Store** 또는 **www.hilti.group**에서 확인할 수 있습니다.

### 3.3 규정에 맞는 사용

기술된 제품은 소형 배터리 구동식 블라인드 리벳 타점기입니다.

- ▶ 본 제품에는 모델시리즈 B22 의 Hilti 리튬 이온 배터리만 사용하십시오.
- ▶ 이 배터리에는 Hilti 충전기 C4/36 시리즈만 사용하십시오.

### 3.4 리튬 이온 배터리 표시

리튬 이온 배터리의 충전 상태 및 기기의 문제 사항은 리튬 이온 배터리의 표시를 통해 나타납니다. 리튬 이온 배터리의 충전 상태는 배터리 잠금 해제 버튼 둘 중 하나를 누르면 표시됩니다.

상태	의미
4개 LED가 점등됨.	충전 상태: 75 % ~ 100 %
3개 LED가 점등됨.	충전 상태: 50 % ~ 75 %
2개 LED가 점등됨.	충전 상태: 25 % ~ 50 %



상태	의미
1개 LED가 점등됨.	충전 상태: 10 % ~ 25 %
1개 LED가 깜박임.	충전 상태: < 10 %
1개 LED 깜박임, 기기 작동 준비되지 않음.	배터리가 과열 또는 완전히 방전되었음.
4개 LED 깜박임, 기기 작동 준비되지 않음.	기기가 과부하 또는 과열되었음.

**i** 컨트롤 스위치가 조작된 상태에서 컨트롤 스위치에서 손을 떼 후 5초까지는 충전 상태를 조회해볼 수 없습니다.

배터리 표시기의 LED가 점멸할 경우, "고장 시 대책" 장의 지침에 유의하십시오.

### 3.5 과부하 방지

과부하가 걸리면 기기는 자동으로 꺼지고 과부하 LED가 10초 동안 깜박입니다.

**i** 이 시간 동안은 기기를 사용할 수 없습니다. 일반적으로 척 메커니즘에 남아있는 퇴적물로 인해 과부하가 발생하므로, 메커니즘을 잘 닦아주어야 합니다. 이를 위해 관리 및 유지보수 단원에 제시된 퇴적물 제거 관련 지침을 준수하십시오. 차단된 원인이 성공적으로 제거되면, 기기를 다시 사용할 수 있습니다.

## 4 기술자료

	<b>RT 6-A22</b>
정격 전압	21.6V
<b>EPTA Procedure 01에 따른 무게(배터리 포함)B228.0</b>	2.7kg
스트로크 길이	25mm

### 4.1 배터리

배터리 모드 전압	21.6V
작동 시 주변 온도	-17 °C ... 60 °C
보관 온도	-20 °C ... 40 °C
충전 시작 시 배터리 온도	-10 °C ... 45 °C

### 4.2 EN 62841에 따른 소음 정보 및 진동값

이 지침에 제시된 음압 및 진동수준은 표준화된 측정방법에 따라 측정된 것이며, 전동 공구를 서로 비교하기 위한 용도로 사용할 수 있습니다. 음압 및 진동 수준은 노출 정도를 사전에 예측하는 데에도 유용하게 사용할 수 있도록 설계되어 있습니다.

제시된 데이터는 전동 공구의 주된 용도를 나타냅니다. 그러나 전동 공구를 다른 용도로 사용하거나 다른 공구 비트를 사용할 경우 또는 유지보수를 충분히 하지 않은 상태에서는 데이터에 편차가 있을 수 있습니다. 이러한 경우 전 작업시간에 걸쳐 노출이 현저하게 증가할 수 있습니다.

노출을 정확하게 평가하기 위해서는 기기 작동이 멈춰 있거나 또는 작동 중이지만 실제로는 사용하지 않는 시간도 고려해야 합니다. 이러한 경우 전 작업시간에 걸쳐 노출이 현저하게 감소할 수 있습니다.

사용자를 보호하기 위해 음파 그리고/또는 진동이 작용하기 전에 다음과 같은 추가적인 안전 조치를 취하십시오. 전동 공구와 공구 비트의 유지보수, 손을 따뜻하게 유지, 작업순서 정하기 등.

#### 소음 정보

	<b>RT 6-A22</b>
소음 수준 LWA	98.9dB(A)
소음 수준 허용공차 KWA	3dB(A)
음압 수준 LpA	85.9dB(A)
소음 수준 허용공차 KpA	3dB(A)

#### 진동 정보

	<b>RT 6-A22</b>
진동값 ah,D	0.94m/s <sup>2</sup>
명시된 진동값에 대한 허용공차 K	0.033m/s <sup>2</sup>



### 4.3 사용해야 할 블라인드 리벳의 마우스 피스 배열

마우스 피스 규격	시중에서 유통되는 모든 소재의 블라인드 리벳 직경
RTN 2.4, NP 2.4	2.4 mm
RTN 3.2, NP 3.2	3.2 mm
RTN 4.0, NP 4.0	4.0 mm
RTN 4.8, NP 4.8	4.8 mm 5.0 mm(알루미늄 블라인드 리벳의 경우만)

## 5 작업 준비

### 5.1 작업 준비

#### 경고

부상 위험 돌발적인 작동!

- ▶ 배터리를 끼우기 전에 해당 제품의 전원이 꺼져 있는지 확인하십시오.
- ▶ 기기 설정 또는 액세서리를 교체하기 전에 배터리를 제거하십시오.

본 문서 및 제품에 나와 있는 안전 지침 및 경고 지침에 유의하십시오.

#### 5.1.1 배터리 충전

1. 충전하기 전에 충전기의 사용 설명서를 읽으십시오.
2. 배터리 및 충전기의 접점이 청결하고 건조한 상태인지 확인하십시오.
3. 허용되는 충전기에서 배터리를 충전하십시오. 53

#### 5.1.2 배터리 삽입

#### 경고

부상 위험 부상 위험!

- ▶ 배터리를 끼우기 전에 배터리의 접점 및 제품의 접점에 이물질이 남아 있지 않은지 확인하십시오.
- ▶ 배터리가 제대로 고정되었는지 확인하십시오.

1. 처음으로 사용하기 전, 배터리를 완전히 충전하십시오.
2. 배터리가 제품에 고정되는 소리가 들릴 때까지 미십시오.
3. 배터리가 정확하게 설치되어 있는지 점검하십시오.

#### 5.1.3 배터리 제거

1. 배터리의 잠금 해제 버튼을 누르십시오.
2. 배터리를 기기에서 빼내십시오.

#### 5.1.4 마우스 피스 교체

#### 주의

부상 위험 블라인드 리벳으로 인해 부상을 입을 수 있습니다.

- ▶ 타정기에 남아있는 블라인드 리벳이 없는지 확인하십시오.

1. 스위치를 계속 누르고 계십시오.
2. 적합한 링 스페너(SW 12)를 이용해 마우스 피스를 열고, 척 하우징을 빼내십시오.
3. 새 마우스 피스를 체결하십시오.
4. 적합한 링 스페너를 이용해 마우스 피스를 조이십시오.

## 6 작업

### 6.1 블라인드 리벳 타정

1. 사용하는 리벳 직경에 맞는 마우스 피스를 설치하십시오.
2. 블라인드 리벳을 마우스 피스에 끼우십시오.



3. 공작물과 가장자리가 일치되게 제품을 설치하십시오.



구멍을 미리 가공한 공작물에만 고정할 수 있습니다.

4. 블라인드 리벳을 타정하려면 짧은 시간 동안 스위치를 누르십시오.
5. 파손된 리벳 시스템을 수거용기에 폐기하려면 제품을 뒤쪽으로 기울이십시오.

## 6.2 수거 용기 비우기



### 주의

물적 손상 압력 부상이 손상될 수 있으며, 리벳이 걸릴 수 있습니다.

▶ 수거 용기를 정기적으로 비우십시오(최소 타정 50회 주기마다).

1. 수거 용기를 시계 반대 방향으로 돌리십시오.
2. 수거 용기를 비우십시오.
3. 수거 용기를 다시 제품 쪽으로 돌리십시오.

## 7 제품 관리 및 유지보수

### 7.1 금속 퇴적을 제거

1. 적합한 렌치(SW 24)를 이용해 강철 슬리브를 푸십시오.
2. 강철 슬리브를 완전히 빼내십시오.
3. 강철 슬리브를 조심스럽게 털어 깨끗이 하십시오.
4. 마우스 피스를 빼낸 후 모든 금속 퇴적이 제거될 때까지 천을 이용해 강철 슬리브를 더 닦아내십시오.
5. 마우스 피스를 다시 체결하십시오.
6. 적합한 링 렌치(SW 17)를 이용해 척 하우징을 열고, 척 하우징을 빼내십시오.
7. 3개 부품으로 구성된 척(척 조)을 떼어내십시오.
8. 척 하우징을 조심스럽게 털어 깨끗이 하십시오.
9. 모든 금속 퇴적이 제거될 때까지 녹 방지제를 뿌린 천을 이용해 척 하우징 및 척 조를 닦아내십시오.



척 조가 마모된 경우, 이를 교체하십시오.

10. 이제 프레스 부싱을 압력 스프링과 함께 제거하십시오.
11. 천을 이용해 프레스 부싱 및 압력 스프링을 닦으십시오.
12. 천을 이용해 어댑터를 닦으십시오.
13. 15 mm 렌치를 사용해 연결 샤프트가 단단히 고정되어 있는지 확인하십시오.
14. 이제 모든 부품을 지금까지와 반대 순서로 다시 끼우십시오.



이때 바깥쪽에 있는 프레스 부싱 및 척 하우징에 Hilti 그리스를 바르십시오.  
척 하우징에 오일 한 방울을 분사하십시오.

15. 적합한 렌치(SW 24)를 이용하여 강철 슬리브를 조이십시오.

### 7.2 척 하우징에서 금속 부품 제거

1. 적합한 렌치(SW 24)를 이용해 강철 슬리브를 푸십시오.
2. 강철 슬리브를 완전히 빼내십시오.
3. 강철 슬리브를 조심스럽게 털어 깨끗이 하십시오.
4. 적합한 링 스파너(SW 17)를 이용해 척 하우징을 열고, 척 하우징을 빼내십시오.
5. 척 하우징을 조심스럽게 털어 깨끗이 하십시오.
  - ▶ 이때 3개 부품으로 구성된 척과 금속 부품이 떨어집니다.
6. 이제 모든 부품을 지금까지와 반대 순서로 다시 끼우십시오.



척 하우징에 오일 한 방울을 분사하십시오.

7. 적합한 렌치(SW 24)를 이용하여 강철 슬리브를 조이십시오.



### 7.3 척 하우징의 안착 상태 점검

1. 적합한 렌치를 이용해 강철 슬리브를 푸십시오.
2. 강철 슬리브를 완전히 빼내십시오.
3. 척 하우징이 제대로 설치되었는지 점검하십시오.
4. 필요에 따라 척 하우징을 다시 어댑터에 완전하게 체결하십시오.
5. 강철 슬리브를 다시 체결하십시오.
6. 적합한 렌치를 이용하여 강철 슬리브를 조이십시오.

### 7.4 관리 및 유지보수

#### 경고

배터리가 끼워진 상태에서 부상 위험!

- ▶ 관리 및 수리 작업을 진행하기 전에 항상 배터리를 제거하십시오!

#### 제품 관리

- 공구에 부착되어 있는 오염물질을 조심스럽게 제거하십시오.
- 오염물질이 있는 경우, 부드러운 마른 솔로 환기 슬롯을 조심스럽게 청소하십시오.
- 약간 물기가 있는 수건으로만 하우징을 청소해 주십시오. 플라스틱 부품을 손상시킬 수 있으므로 절대로 실리콘이 함유된 보호제를 사용하지 마십시오.
- 제품의 접점을 청소하려면 깨끗하고 마른 천을 사용하십시오.

#### 리튬 이온 배터리 관리

- 환기 슬롯이 막힌 상태에서는 절대 배터리를 사용하지 마십시오. 부드러운 마른 솔로 환기 슬롯을 조심스럽게 청소하십시오.
- 배터리가 불필요하게 먼지 또는 오염물에 노출되지 않도록 하십시오. 배터리를 절대 습도가 높은 곳에 두지 마십시오(예: 물 속에 담그거나 비내리는 곳에 두는 행위).  
배터리에 물이 들어가면, 손상된 배터리처럼 취급하십시오. 물이 들어간 배터리는 비가연성 용기에서 절연시킨 후, Hilti 서비스 센터에 문의해 주십시오.
- 배터리를 외부 열 및 그리스가 묻지 않도록 깨끗하게 유지하십시오. 배터리에 불필요하게 먼지 또는 오염물이 쌓이지 않도록 하십시오. 배터리를 부드러운 마른 솔 또는 깨끗하고 마른 걸레로 닦아내십시오. 플라스틱 부품을 손상시킬 수 있으므로 절대로 실리콘이 함유된 보호제를 사용하지 마십시오.  
배터리의 접점에 접촉하지 말고, 접점에서 공구축에 부착된 그리스를 제거하지 마십시오.
- 약간 물기가 있는 수건으로만 하우징을 청소해 주십시오. 플라스틱 부품을 손상시킬 수 있으므로 절대로 실리콘이 함유된 보호제를 사용하지 마십시오.

#### 유지보수

- 눈에 보이는 모든 부품은 정기적으로 손상 여부를 점검하고, 조작요소가 문제 없이 작동하는지 점검하십시오.
- 손상되었거나 기능 장애가 있는 경우에는 제품을 작동하지 마십시오. 즉시 Hilti 서비스 센터에 제품 수리를 의뢰하십시오.
- 관리 및 수리 작업 후 모든 보호장치를 가져와 기능에 이상이 없는지 점검하십시오.



안전하게 작동하기 위해서는 순정품 예비 부품 및 소모품만 사용하십시오. Hilti에서 승인한 예비 부품, 소모품 및 액세서리는 Hilti Store 또는 [www.hilti.group](http://www.hilti.group)에서 확인할 수 있습니다.

## 8 충전식 공구 및 배터리 운반 및 보관

### 운반

#### 주의

운반 시 돌발적으로 작동됨!

- ▶ 제품은 항상 배터리를 장착하지 않은 상태로 운반하십시오!
- ▶ 배터리를 분리하십시오.
- ▶ 배터리를 고정하지 않은 채로 운반해서는 절대 안 됩니다. 운반하는 도중 배터리에 과도한 충격을 받거나 진동이 발생하지 않게 하고 모든 전도성 소재 또는 다른 배터리로부터 분리시켜 다른 배터리 전극에 닿지 않고 단락이 발생하지 않게 하십시오. 배터리와 관련된 현지 운반 규정에 유의하십시오.
- ▶ 배터리는 우편을 통해 전달할 수 없습니다. 손상이 없는 배터리를 전송하고자 하는 경우 배송업체에 문의하십시오.
- ▶ 제품 및 배터리를 사용하기 전에 그리고 장시간 운반한 후에는 항상 손상 여부를 점검하십시오.



**경고**

배터리 결함 또는 방전으로 인한 돌발적인 손상!

- ▶ 제품은 항상 배터리를 장착하지 않은 상태로 보관하십시오!
- ▶ 제품 및 배터리를 냉각 및 건조시켜 보관하십시오. 기술자료에 제시된 허용 온도 한계값에 유의하십시오.
- ▶ 배터리를 충전기에 보관하지 마십시오. 충전 후에는 항상 배터리를 충전기에서 분리하십시오.
- ▶ 배터리는 절대 직사광선이 들어오는 곳, 열원 위 또는 유리 뒤쪽에 보관하지 마십시오.
- ▶ 제품 및 배터리는 건조한 상태로 어린이나 외부인의 손이 닿지 않는 곳에 보관하십시오.
- ▶ 제품 및 배터리를 사용하기 전에 그리고 장시간 보관한 후에는 항상 손상 여부를 점검하십시오.

## 9 문제 발생 시 도움말

본 도표에 제시되어 있지 않거나 스스로 해결할 수 없는 문제가 발생한 경우 Hilti 서비스 센터에 문의해 주십시오.

### 9.1 블라인드 리벳 타정기가 작동하지 않음

장애	예상되는 원인	해결책
LED가 아무것도 나타내지 않음.	배터리가 완전히 삽입되지 않음.	▶ "찰칵"하는 소리가 들릴 때까지 배터리를 맞물려 고정시키십시오.
	배터리가 방전되었음.	▶ 배터리를 교체하고 방전된 배터리를 충전하십시오.
	배터리 과열 또는 과냉 상태.	▶ 배터리를 권장된 작동온도 상태로 유지합니다.
1개 LED가 깜박임.	배터리가 방전되었음.	▶ 배터리를 교체하고 방전된 배터리를 충전하십시오.
	배터리 과열 또는 과냉 상태.	▶ 배터리를 권장된 작동온도 상태로 유지합니다.
4개 LED가 깜박임.	제품이 잠깐 동안 과부하됨.	▶ 컨트롤 스위치에서 손을 떼고 스위치를 다시 조작하십시오.
	과열 방지.	▶ 제품을 냉각시키고 환기 슬롯을 청소하십시오.
과부하 LED가 10초 동안 깜박임.	과부하 방지.	▶ 금속 퇴적물을 제거하십시오 . 56
블라인드 리벳이 타정되지 않음.	배터리가 방전되었음.	▶ 배터리를 교체하고 방전된 배터리를 충전하십시오.
	척 조가 오염된 또는 마모됨.	▶ 척 조를 닦아주거나 또는 56 척 조를 교환하십시오.
	척 하우징이 제대로 체결되지 않음.	▶ 새 마우스 피스를 제대로 체결하십시오 . 57
	압력 스프링 걸림 또는 결함.	▶ 압력 스프링을 교체하십시오 . 56
리벳 스템이 폐기되지 않음.	잘못된 마우스 피스를 사용함.	▶ 마우스 피스를 교체하십시오 . 55
	마우스 피스가 마모됨.	▶ 마우스 피스를 교체하십시오 . 55
	리벳 스템이 척 조에 박힘.	▶ 척 하우징에서 리벳 스템 잔여물을 제거하십시오 . 56
	강철 하우징이 오염됨.	▶ 강철 슬리브를 닦아주십시오 . 56
	수거용기가 가득 참.	▶ 수거 용기를 비우십시오 . 56



## 10 폐기

---

Hilti 기기는 대부분 재사용이 가능한 소재로 제작되었습니다. 재활용을 위해 개별 부품을 분리하여 주십시오. Hilti는 대부분의 국가에서 재활용을 위해 노후기기를 수거해 갑니다. Hilti 고객 서비스센터 또는 판매 상담자에게 문의하십시오.



- ▶ 전동 공구, 전자식 기기 및 배터리를 일반 가정 쓰레기로 폐기하지 마십시오!
- 

## 11 RoHS (유해물질 사용 제한 지침)

---

아래 링크에서 유해물질에 관한 도표를 확인할 수 있습니다. [qr.hilti.com/r9615527](https://qr.hilti.com/r9615527).  
RoHS 도표로 이어지는 링크는 본 문서 끝에 QR 코드 형식으로 제시되어 있습니다.

## 12 제조회사 보증

---

- ▶ 보증 조건에 관한 질문사항은 현지 Hilti 파트너사에 문의하십시오.







# EC Declaration of Conformity | UK Declaration of Conformity



**Manufacturer:**  
**Hilti Corporation**  
Feldkircherstraße 100  
9494 Schaan | Liechtenstein

**UK Importer:**  
**Hilti (Gt. Britain) Limited**  
No. 1 Circle Square, 3 Symphony Park  
Manchester, England, M1 7FS

**RT 6-A22 (01)**

Serial Numbers: 1-9999999999

2006/42/EC | Supply of Machinery (Safety)  
Regulations 2008

EN 62841-1:2015

2014/30/EU | Electromagnetic Compatibility  
Regulations 2016

EN 55014-1:2017 +  
A11:2020

EN 55014-2:2015

2011/65/EU | The Restriction of the Use of  
Certain Hazardous Substances in Electrical and  
Electronic Equipment Regulations 2012

Schaan, 18.01.2022

A handwritten signature in black ink, appearing to read "Tahar Zrilli".

**Dr. Tahar Zrilli**  
Head of Quality and Process Management  
Business Area Electric Tools & Accessories

A handwritten signature in black ink, appearing to read "Edward-Louis Przybyłowicz".

**Edward-Louis Przybyłowicz**  
Head of BU Power Tool & Accessories  
Business Area Electric Tools & Accessories



RT 6-A22





Hilti Corporation  
LI-9494 Schaan  
Tel.:+423 234 21 11  
Fax:+423 234 29 65  
[www.hilti.group](http://www.hilti.group)



2225141