



KCM-MD Long Plate $\frac{3}{8}'' + \frac{1}{2}'' + \frac{5}{8}''$

2285445-11.2024

15 KWIK CAST
KCM-MD L $\frac{3}{8}'' + \frac{1}{2}'' + \frac{5}{8}''$
RED-RED
#2267027



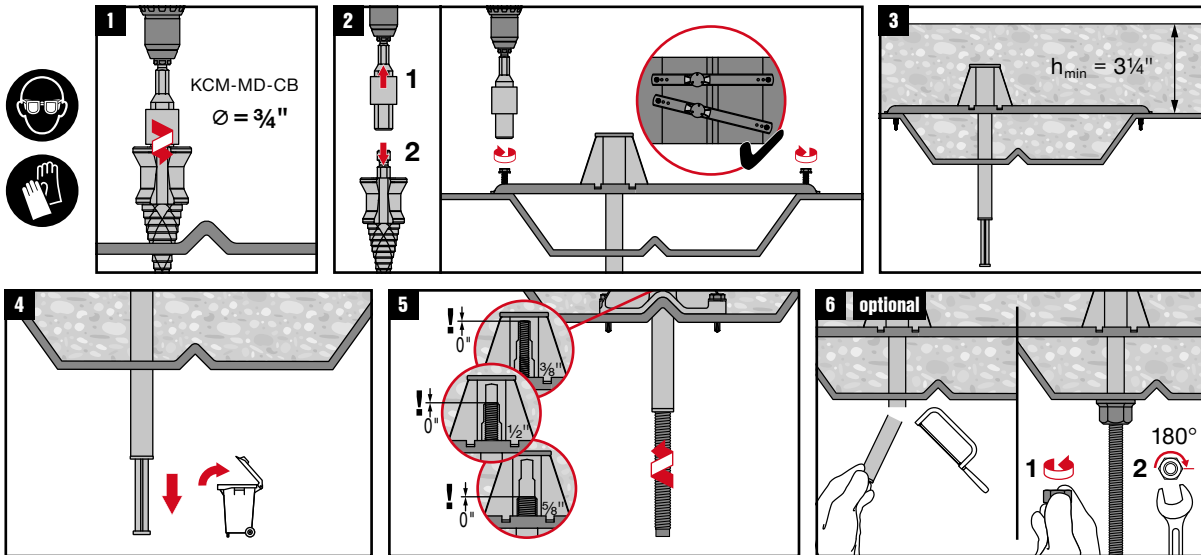
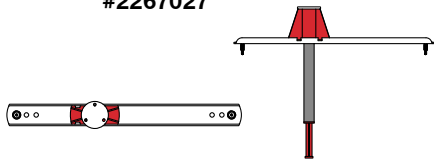
Info | Shop



qr.hilti.com/2267027

Batch Tracking
Information

Made in Taiwan
Hilti = trademark of Hilti Corp., Schaun, LI



Per FM approval, the metal plate of the insert must be on top of the deck flutes. For seismic bracing applications cut tube flush to bottom of metal deck.
*Turn threaded rod until bottomed out to ensure full thread engagement.