



2310564-12.2024

ETA

25 x HUS4-A(F)
10 x [L] M12 x [l]

L

25 x
DIN 125 - 13

2.5 mm

25 x
HILTI M12 - 8

12 mm 19 mm

HUS4-A 10: #2425767
HUS4-AF 10: #2425951

$t_{bp, max} = l - 30 mm$

	d_0 [mm]	h_{nom} [mm]	
	$\varnothing 10$	$\geq 55 mm$ $\leq 85 mm$	$h_{nom} \geq 75 mm$
	$\varnothing 10$	$\geq 55 mm$ $\leq 85 mm$	

	$h_1 = h_{nom} + 10 mm$	1a 1b
	$h_1 = h_{nom} + 30 mm$	1c

1a

2x

h_1

1b

TE-CD

2x

h_1

1c

3x

h_1

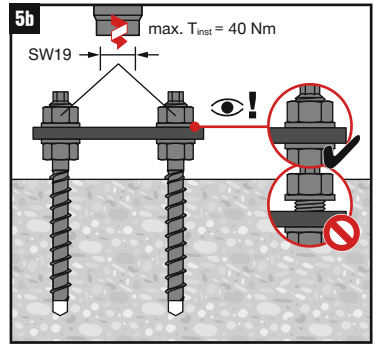
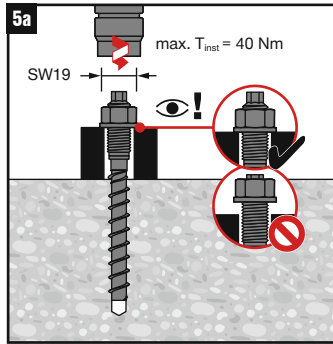
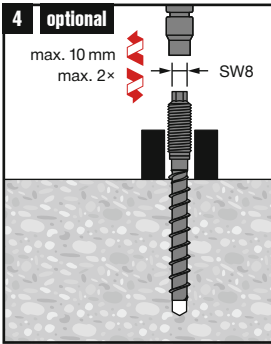
2

SW8

h_{nom}

3

h_{nom}



	1	2	1	2
SIW 6AT-A22 / SIW 4AT-22	✓			✗
SIW 6-22	✓	✗		✓
SIW 22T-A		✓		✓
SIW 9-A22		✓		✓
SIW 8-22		✓		✓
SIW 10-22	✗		✓	✗

