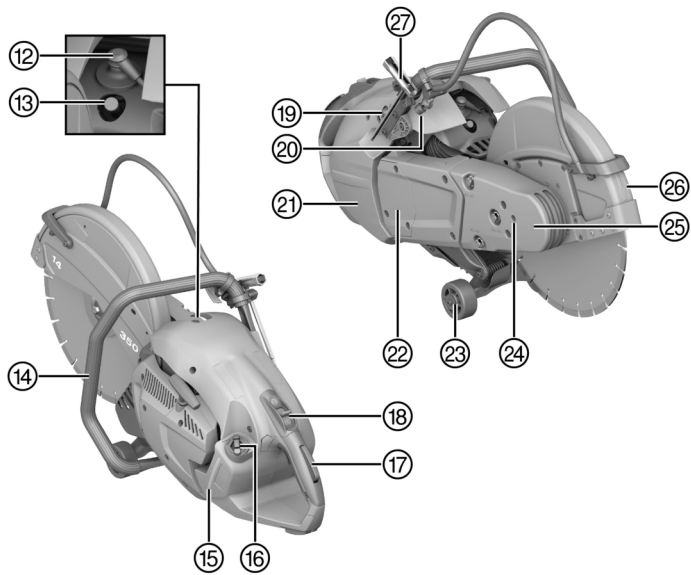
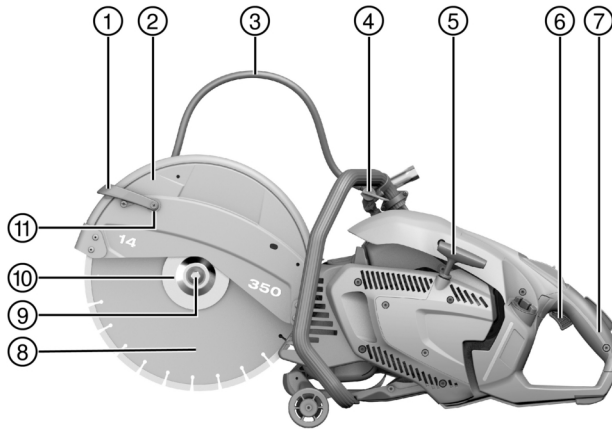
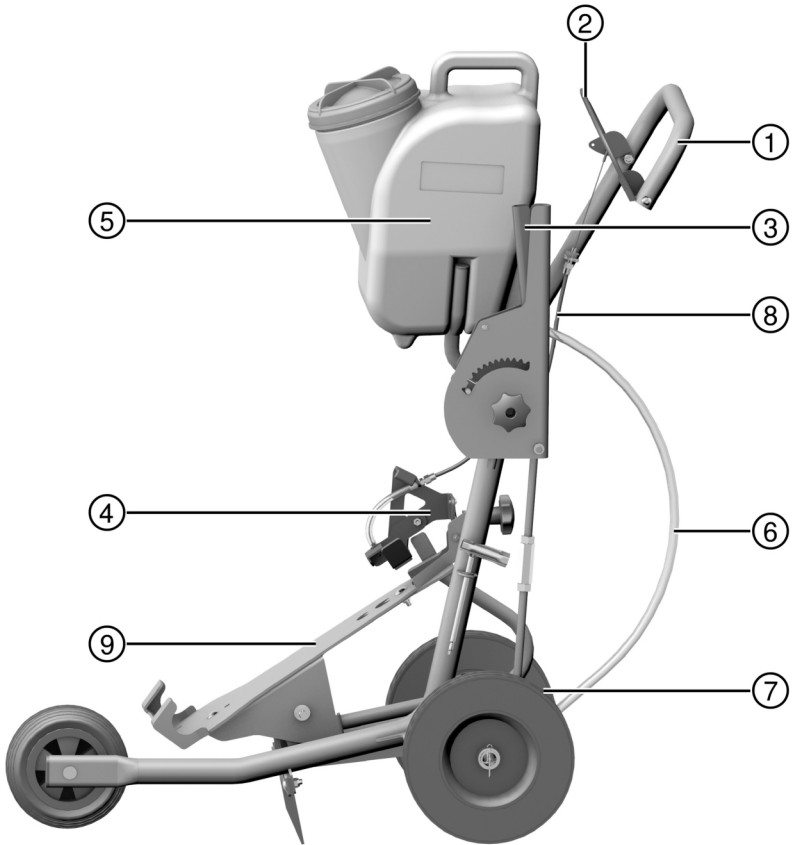




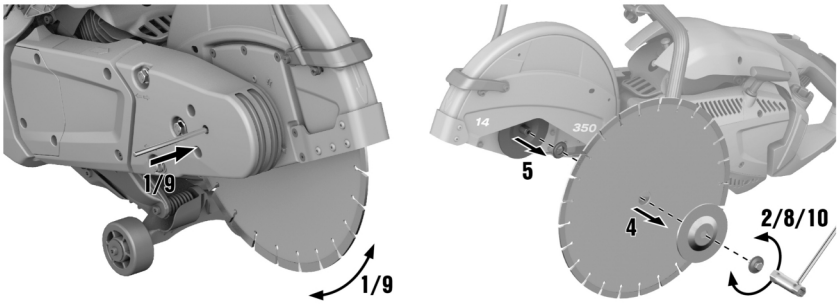
DSH 700-X (04)
DSH 900-X (04)

English	1
Français	18
Español	35

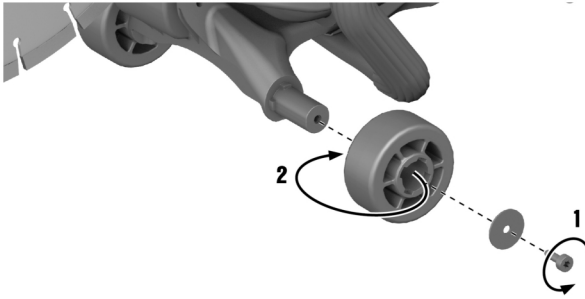




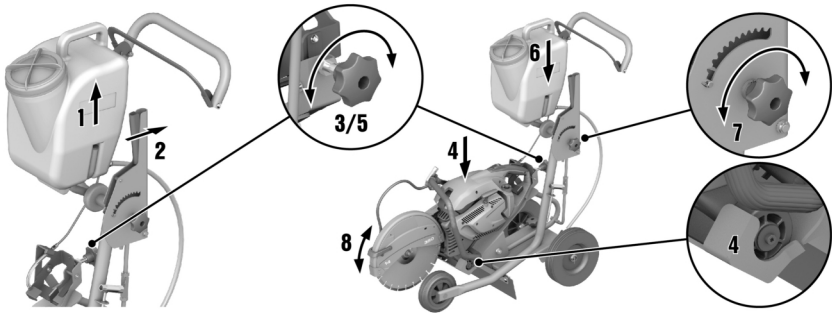
3



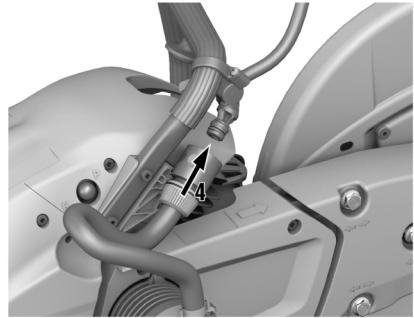
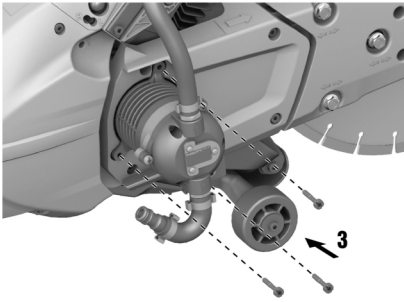
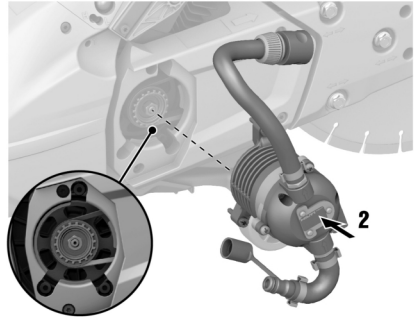
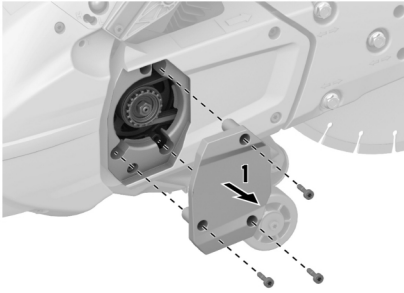
4



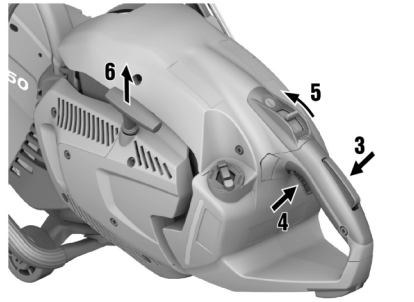
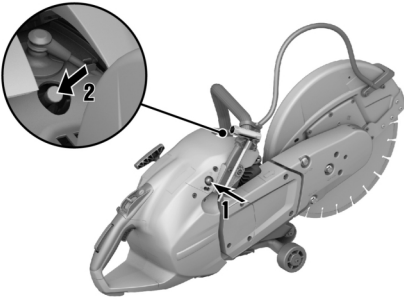
5



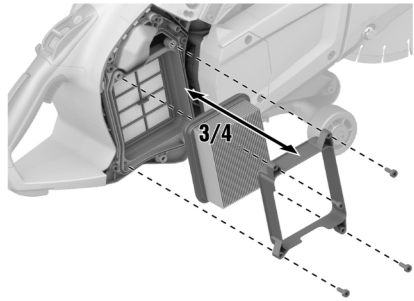
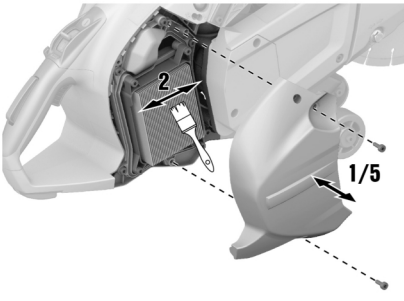
6



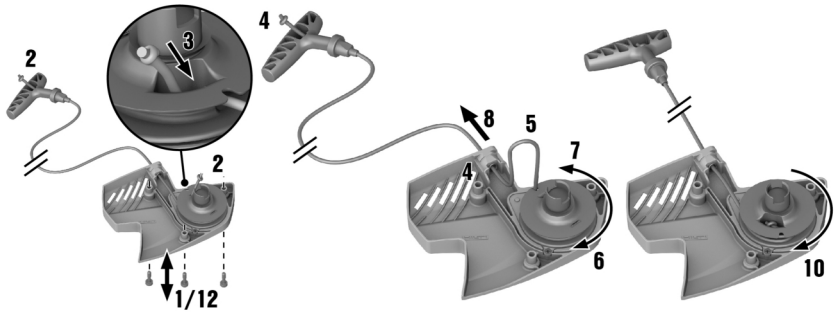
7



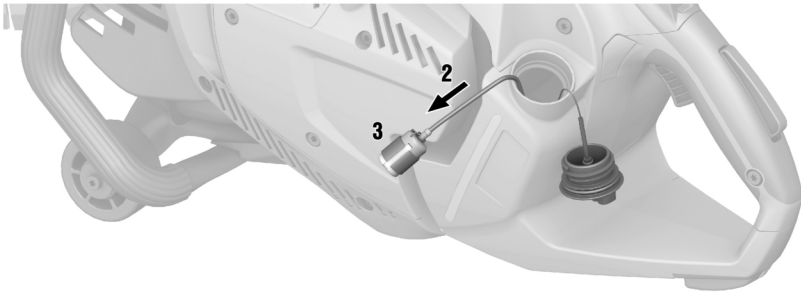
8



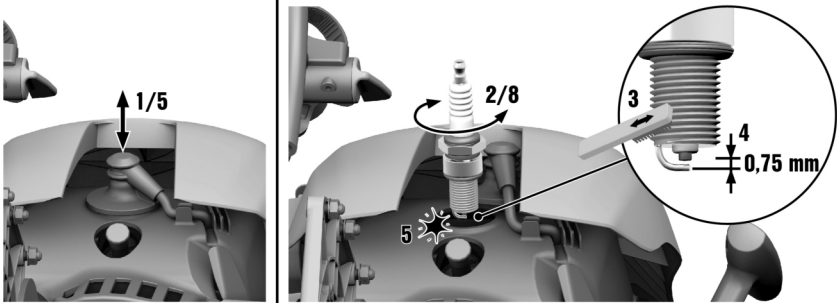
9



10

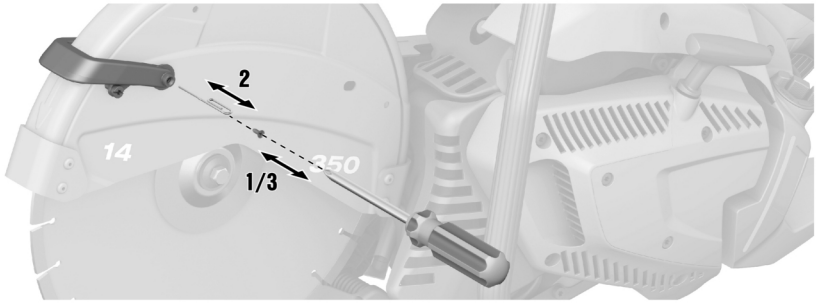


11



12





Information about the operating instructions

About these operating instructions

- **Warning!** Read and understand all accompanying documentation, including but not limited to instructions, safety warnings, illustrations, and specifications provided with this product. Familiarize yourself with all the instructions, safety warnings, illustrations, specifications, components, and functions of the product before use. Failure to do so may result in electric shock, fire, and/or serious injury. Save all warnings and instructions for future reference.
- products are designed for professional users and only trained, authorized personnel are permitted to operate, service and maintain the products. This personnel must be specifically informed about the possible hazards. The product and its ancillary equipment can present hazards if used incorrectly by untrained personnel or if used not in accordance with the intended use.
- The accompanying documentation corresponds to the current state of the art at the time of printing. Please always check for the latest version on the product's page on Hilti's website. To do this, follow the link or scan the QR code in this documentation, marked with the symbol
- Ensure that these operating instructions are with the product when it is given to other persons.

Explanation of symbols

Warnings

Warnings alert persons to hazards that occur when handling or using the product. The following signal words are used:



DANGER !

- ▶ Draws attention to imminent danger that will lead to serious personal injury or fatality.



WARNING !

- ▶ Draws attention to a potential threat of danger that can lead to serious injury or fatality.



CAUTION !

- ▶ Draws attention to a potentially dangerous situation that could lead to personal injury or damage to the equipment or other property.

Symbols in the operating instructions

The following symbols are used in these operating instructions:

	Comply with the operating instructions
	Instructions for use and other useful information
	Dealing with recyclable materials
	Do not dispose of electric equipment and batteries as household waste

Symbols in illustrations

The following symbols are used in illustrations:

	These numbers refer to the illustrations at the beginning of these operating instructions.
	The numbers in illustrations refer to important work steps or to components important for the work steps. In the text, the corresponding numbers draw attention to these work steps or components, e.g. (3) .
	Item reference numbers are used in the overview illustration and refer to the numbers used in the key in the product overview section.
	This symbol is intended to draw your special attention to certain points for handling the product.

Product-dependent symbols

Symbols on the product

The following symbols are used on the product:

	WARNING! Read and follow all safety precautions in the operator's manual. Failure to follow these instructions could result in serious or fatal injury.
	Direction-of-rotation arrow on the guard
	Engine stop position
	Engine run position



	Primer bulb
	Full-throttle jet adjusting screw
	Idling jet adjusting screw
	Idling adjusting screw
	Fuel-tank cap opening direction
	Wireless data transfer
	Fuel mixture
/min	Speed
RPM	Revolutions per minute
	Diameter

Hazard symbols

The following hazard symbols are used on the product:

	General hazard
	Hazard due to flying sparks
	Warning: Do not inhale toxic vapors or exhaust fumes
	Hazard due to kickback
	Hazard due to hot surface
	Maximum spindle speed

Obligation symbols

The following obligation symbols are used on the product:

	Wear ear protection, eye protection, respiratory protection and a hard hat
	Wear protective gloves
	Wear safety shoes

Prohibition symbols

The following prohibition symbols are used on the product:

	Do not use toothed cut-off wheels
	Do not use damaged cut-off wheels
	No smoking, no naked flame

Safety

General safety instructions

⚠️ WARNING Study all safety instructions and other instructions, images and technical data with which this product is provided. Failure to comply with the instructions below can result in serious injuries or death.

Keep all safety precautions and instructions for future reference.



Personal safety

- ▶ Use the right product for the job. Do not use the product for purposes for which it was not intended. Use it only as directed and when in technically faultless condition.
- ▶ Never tamper with or modify the product in any way.
- ▶ Only persons who are familiar with it, who have been trained on how to use it safely and who understand the resulting hazards are permitted to use the product. The product is not intended for use by children.
- ▶ Stay alert, watch what you are doing and use common sense when operating the product. Do not use the product while you are tired or under the influence of drugs, alcohol or medication. A moment of inattention while operating the product can result in serious personal injury.
- ▶ Do not apply excessive force to the cut-off saw. Use the correct cut-off saw for the job. With the correct cut-off saw work can be performed more efficiently and more safely at a working speed for which the cut-off saw was designed.
- ▶ The use of cutting tools other than those described in this documentation is not permitted.
- ▶ For wet cutting, do not use synthetically bonded abrasive wheels unless the wheels have been specified for such use by the wheel manufacturer.
- ▶ The use of reducing sleeves and/or knot wheel brushes is not permitted.
- ▶ The user and persons in the vicinity must wear ANSI Z87.1-approved eye protection, a hard hat, hearing protection, protective gloves, protective footwear and suitable respiratory protection while the product is in use.
- ▶ Before using the product, or if an obstacle is contacted while the product is in use, check the guard immediately for possible damage. Replace the guard immediately if it is damaged or broken.
- ▶ Make sure fire extinguishers are available for use as there is a risk of fire due to flying sparks and the use of flammable fuel.
- ▶ Dust produced by grinding, sanding, cutting and drilling can contain dangerous chemicals. Some examples are: lead or lead-based paints; brick, concrete and other masonry products, natural stone and other products containing silicates; certain types of wood, such as oak, beech and chemically treated wood; asbestos or materials that contain asbestos. Determine the exposure of the operator and bystanders by means of the hazard classification of the materials to be worked. Implement the necessary measures to restrict exposure to a safe level, for example by the use of a dust collection system or by the wearing of suitable respiratory protection. The general measures for reducing exposure include:
 - ▶ working in an area that is well ventilated,
 - ▶ avoidance of prolonged contact with dust,
 - ▶ directing dust away from the face and body,
 - ▶ wearing protective clothing and washing exposed areas of the skin with water and soap.
- ▶ Always hold the tool with both hands on the grips provided. Keep the grips clean, dry and free from oil and grease.
- ▶ If there is an unwanted increase in speed, set the run/stop switch to the "stop" position. Contact **Hilti** Service.
- ▶ Switch the gasoline-powered saw off immediately at the run/stop switch if the saw trolley throttle cable sticks or if the throttle trigger sticks.
- ▶ Never use the product without the guard. Adjust the guard to the correct position. The guard must be securely attached and positioned for maximum safety, so that the smallest possible part of the cut-off wheel is exposed to the operator. Make sure that sparks created during use do not present a hazard. The guard helps to protect the operator from broken wheel fragments, inadvertent contact with the cut-off wheel and uncontrolled flying sparks.
- ▶ Do not touch rotating parts – risk of injury!
- ▶ Maintain a firm footing and balance at all times. This will allow you to control the product better, even in unexpected situations. Avoid unusual postures. When using the product, hold it in such a way that dust, flying sparks and possible flying fragments of the accessory tool or workpiece cannot hit you. Do not lean over the cut-off wheel.
- ▶ Wear suitable work clothes. Do not wear jewelry or loose clothing. Keep your hair, clothing and gloves away from moving parts. Loose clothes, jewelry or long hair can be snagged by moving parts.
- ▶ If the product or the cut-off wheel has been dropped or has fallen, check the product and the cut-off wheel for damage. Change the cut-off wheel if necessary.
- ▶ Switch the product off before adjusting the guard or changing the cut-off wheel.
- ▶ Wear protective gloves also when changing the accessory tool. Touching the cut-off wheel presents a risk of injury (cuts or burns).
- ▶ Avoid skin contact with the slurry created when using the wet cutting method.
- ▶ Cutting material containing asbestos is not permissible.
- ▶ Cutting or working on flammable materials such as magnesium or wood is not permissible.
- ▶ Take breaks between working and do relaxation and finger exercises to improve the blood circulation in your fingers. Exposure to vibration during long periods of work can lead to disorders of the blood vessels and nervous system in the fingers, hands and wrists.
- ▶ Consult the responsible structural engineer, architect or person in charge of the building project before starting work. Slits cut into load-bearing walls or other structures can influence the statics of the structure, especially when reinforcing bars or load-bearing components are cut.
- ▶ If work involves break-through, always secure the area on the side opposite where the work is carried out. Pieces of debris could drop out and/or fall down and injure other persons.
- ▶ Never leave the product running while unattended.
- ▶ Switch the engine off and wait until the cut-off wheel has come to a complete standstill before placing the product on the ground, moving it to the next working position, or transporting it.
- ▶ Make sure that the pump cover is installed if you operate the product without an external water pump.
- ▶ Switch the product off after use.
- ▶ Maintain the product carefully. Check whether parts are broken or damaged to the extent that the product is not in full working order. Have damaged parts repaired before using the product.
- ▶ To reduce the risk of injury, use only genuine **Hilti** tools and accessories.
- ▶ Have the product repaired only by qualified specialists using only genuine Hilti spare parts. The safety of the product can thus be maintained.



- ▶ Comply with national health and safety requirements.
- ▶ When the engine is running, avoid contact with ignition leads and the spark plug cap. Always switch the engine off when you are going to replace spark plugs or carry out inspections of the ignition system or components of the ignition system.

Electrical safety

- ▶ Before beginning work, check the working area for concealed electric cables or gas and water pipes. External metal parts of the product could give you an electric shock if you accidentally damage an electric cable.
- ▶ Organize in advance the work to be performed, after examining the location. Check whether warning signs have to be set up and a safe working distance from other persons defined.

Safety at the workplace

- ▶ Ensure that the workplace is well lit.
- ▶ Don't work in closed rooms. Carbon monoxide, unburned hydrocarbons and benzene in the exhaust gas may cause asphyxiation.
- ▶ Keep the workplace tidy. Objects which could cause injury should be removed from the working area. Untidiness at the workplace can lead to accidents.
- ▶ Hot exhaust gases containing sparks or sparks generated by the cutting operation may cause fire or explosion. Make sure that the sparks generated do not ignite flammable (gasoline, dry grass, etc.) or explosive (gas, etc.) substances.
- ▶ Fit the filled water tank only after the saw has been mounted on the saw trolley. This will help to prevent the trolley falling over.
- ▶ Do not stand the product and the saw trolley on an inclined surface. Always check to ensure that the product and the saw trolley are standing securely.
- ▶ After installing the water pump, make sure that the screws are tightened to the recommended tightening torque.
- ▶ Before installing the water pump, make sure that the maximum permitted water supply pressure of 87 psi is not exceeded.

Liquids (gasoline and oil) and vapors

- ▶ The inhalation of gasoline vapors and skin contact with gasoline may be hazardous to the health.
 - ▶ Avoid direct skin contact with gasoline. Wear protective gloves.
 - ▶ If your clothing becomes soiled with gasoline, it is essential to change your clothing.
 - ▶ Ensure that the workplace is well ventilated in order to avoid breathing in gasoline fumes.
 - ▶ Use a fuel canister that complies with the applicable regulations.
- ▶ Don't refuel the product while the engine is running. Wait until the engine has cooled down.
- ▶ Never smoke while refueling; there is a risk of fire and explosion.
- ▶ Do not refuel the product in the area where you are working (move at least 3 meters/10 feet clear of the workplace). When refueling, take care to avoid fuel spillage. Use a suitable funnel.
- ▶ Avoid inhaling gasoline vapors and exhaust fumes. Take care to ensure adequate ventilation.
- ▶ Don't use the gasoline or other flammable liquids for cleaning.

Safety instructions for cut-off tools

- ▶ Use only cut-off wheels with a rated maximum permissible speed at least as high as the maximum spindle speed.
- ▶ Check that the outside diameter and the thickness of the cut-off wheel comply with the capacity rating of the product.
- ▶ Never use cut-off wheels that are damaged, run untrue or vibrate.
- ▶ Do not use damaged diamond cut-off wheels (cracks in the steel disc, broken or polished segments, damaged arbor hole, bent or distorted steel disc, heavy discoloration due to overheating, steel disc worn away beneath the segments, diamond segments with no lateral overhang, etc.).
- ▶ Do not use toothed accessory cutting tools (e.g. toothed saw blades).
- ▶ When fitting the cut-off wheel, always take care to ensure that the disc's specified direction of rotation corresponds to the direction of rotation of the spindle. Always install only one cut-off wheel.
- ▶ The cut-off wheel and flange or any other accessory must fit the arbor of the product exactly. Cut-off wheels with arbor holes that do not match the mounting hardware of the product will run out of balance, vibrate excessively and can lead to loss of control and to breakage of the cut-off wheel.
- ▶ Always use an undamaged clamping flange of the correct diameter which fits the cut-off wheel used. The correctly fitting clamping flange supports the cut-off wheel and thus reduces the possibility of disc breakage.
- ▶ Guide the product smoothly and do not apply lateral pressure to the cut-off wheel. Always bring the cut-off wheel into contact with the workpiece at right angles. Don't attempt to alter the line of cut by applying lateral pressure or by bending the cut-off wheel while cutting is in progress.
- ▶ Abrasive cut-off wheels which are used for wet cutting must be used up the same day as long periods of exposure to moisture have a negative effect on the strength of the disc.
- ▶ Never install a saw blade for cutting wood.
- ▶ Use only cut-off wheels that comply with the existing standards for cut-off wheels.
- ▶ Prior to installation and before use, check the cut-off wheel for damage. Do not install a damaged cut-off wheel. Comply with the requirements stated by the manufacturer of the cut-off wheel.
- ▶ Observe the expiry date for resin-bonded cut-off wheels and don't use the discs after this date.

Kickback and the applicable safety instructions

Kickback is the sudden reaction to a snagged or jammed rotating wheel. Snagging or binding brings the rotating accessory tool to an abrupt stop. This forces an uncontrolled cut-off saw in the direction opposite to the accessory tool's direction of rotation at the point of binding.

For example, if an abrasive wheel is snagged or pinched by the workpiece, the edge of the wheel entering the pinch point can dig into the surface of the material causing the wheel to climb out or kick back. The wheel then skips toward or away from the operator, depending on the wheel's direction of movement at the point of pinching. Abrasive wheels can also break under these conditions.

Kickback is the result of cut-off saw misuse and/or incorrect operating procedures or conditions. It can be avoided by taking the proper precautions as described below.



- ▶ Maintain a firm grip on the cut-off saw with both hands and position your body and arms to absorb kickback forces. Always use the auxiliary handle, if provided, for maximum control over kickback forces or torque reaction during start-up. By adopting suitable precautionary measures the operator can control the kickback and reaction forces.
- ▶ Always keep your hand well clear of the rotating accessory tool. Kickback could cause the accessory tool to pass across your hand.
- ▶ Keep clear of the areas in front of and behind the rotating cut-off wheel. Kickback will propel the cut-off saw in the direction opposite to the wheel's direction of rotation at the point of binding.
- ▶ Exercise special care when working at corners, sharp edges, etc. Avoid allowing the accessory tool to bounce off or jam in the workpiece. The rotating accessory tool has a tendency to jam at corners and sharp edges, or if it bounces off the workpiece. This causes loss of control or kickback.
- ▶ Do not use a saw-chain or toothed saw blade and do not use a segmented diamond wheel with slots more than 10 mm wide. Accessory tools of this kind frequently cause kickback or loss of control of the cut-off saw.
- ▶ Do not "jam" the cut-off wheel or apply excessive pressure. Do not attempt to make excessively deep cuts. Overstressing the wheel increases loading and susceptibility to twisting or binding of the wheel in the cut and the possibility of kickback or wheel breakage.
- ▶ When the wheel is binding or when interrupting a cut for any reason, switch off the power tool and hold the power tool motionless until the wheel comes to a complete stop. Never attempt to remove the cut-off wheel from the cut while the wheel is in motion otherwise kickback may occur. Investigate and take corrective action to eliminate the cause of the wheel binding.
- ▶ **Do not switch the cut-off saw on again while the accessory tool is in the cut. Let the cut-off wheel reach full speed and carefully re-insert it into the cut.** The wheel can bind, walk up or kick back if the power tool is restarted with the wheel in the workpiece.
- ▶ Support panels or large workpieces to minimize the risk of wheel bind and kickback. Large workpieces tend to sag under their own weight. Supports must be placed under the workpiece on both sides of the cut-off wheel, both close to the line of cut and near the edge of the workpiece.
- ▶ Use extra caution when making a "pocket cut" into existing walls or other blind areas. Kickback can occur if the cut-off wheel slices into gas or water pipes, electric wiring or other objects as it plunge-cuts.

Transport and storage

- ▶ Switch the product off before transporting it.
- ▶ Remove the cut-off wheel from the product after use. The cut-off wheel may suffer damage during transport with the disc fitted.
- ▶ Handle the cut-off wheel carefully and store it in accordance with the manufacturer's instructions.
- ▶ Always store and transport the product in an upright position, not lying on its side.
- ▶ Do not carry the saw trolley and the product together. Remove the water tank before transporting the saw trolley.
- ▶ Do not lift the product and the saw trolley by crane. This is not permissible.
- ▶ Store the product in a secure place when not in use. Products which are not in use must be stored in a dry, high place or locked away out of reach of children.
- ▶ When laying the product down, make sure that it stands securely.
- ▶ After use, allow the product to cool down before packing it away or placing a cover over it.
- ▶ Store gasoline and oil in a well-ventilated room in fuel containers that comply with regulations.

CALIFORNIA PROPOSITION 65



Fuels used in gas or oil filled appliances and the product of combustion of such fuels contain chemicals (including Benzene, toluene, xylenes, 1,3 butadiene and formaldehyde) known to the State of California to cause cancer, birth defects or other reproductive harm. **Wash hands after handling!**

Information about the measured CO₂ limit values

Always maintain and operate the engine of the cut-off saw in accordance with the instructions for operation and use in these operating instructions. In this way you ensure exhaust emissions that remain within the limits stipulated by law.

Non-compliance with the operating and maintenance instructions described in these operating instructions can impair the conformity of the product with the applicable emissions control regulations. The same applies to tampering with or damage to the fuel system (e.g. supply, regulation, mixture preparation).



Variante exhaust emission values Tampering with the engine and/or the fuel system voids EU emissions certification.

- ▶ Tampering with the engine and/or the fuel system is not permissible.

The values for CO₂ emissions ascertained for EU type approval are to be found in the section headed "Technical data" 7".

Description

Gasoline-powered cut-off saw

- | | |
|--|-----------------------------------|
| ① Curved water distributor with integrated water nozzles | ⑨ Clamping screw |
| ② Guard | ⑩ Clamping flange |
| ③ Water supply | ⑪ Cleaning screw for water nozzle |
| ④ Water valve | ⑫ Spark plug connector |
| ⑤ Pull start | ⑬ Decompression valve |
| ⑥ Throttle trigger | ⑭ Front grip |
| ⑦ Rear grip | ⑮ Fuel-level sight glass |
| ⑧ Cut-off wheel | ⑯ Fuel tank cap |



- | | | | |
|----|--|----|--|
| 17 | Throttle safety grip | 23 | Guide rollers |
| 18 | Engine start / stop switch with half-throttle lock | 24 | Hole for locking pin for changing cut-off wheels |
| 19 | Primer bulb | 25 | Saw arm |
| 20 | Water connection | 26 | Direction-of-rotation arrow |
| 21 | Cover for air filter | 27 | Assembly tool |
| 22 | Pump cover | | |

Saw trolley (accessory) 2

- | | | | |
|---|--------------------------|---|------------------|
| 1 | Grip | 6 | Water connection |
| 2 | Throttle trigger | 7 | Axial adjustment |
| 3 | Cutting depth adjustment | 8 | Throttle cable |
| 4 | Hold-down device | 9 | Machine cradle |
| 5 | Water tank | | |

Intended use

The product described is a gasoline-powered cut-off saw for the wet or dry cutting of asphalt, mineral construction materials or metals using diamond cut-off wheels or abrasive cut-off wheels. It can be held and guided by hand or mounted on a saw trolley.

Recommendations for use

- Use of the wet cutting method is preferable in order to reduce the amount of dust produced when cutting. By using the self-priming water pump (accessory) you can work without need for a water supply hose. The water can be drawn, for example, directly from a container.
- Do not cut right through the workpiece in one pass. Move the saw back and forward several times until it gradually reaches the desired cutting depth.
- To avoid damaging the diamond cut-off wheel when dry cutting, lift the wheel out of the cut for approx. 10 seconds every 30 to 60 seconds while the saw is still running.
- Resharpener a dulled diamond cut-off wheel (i.e. when no diamonds project from the segment matrix) by cutting with the wheel in a very abrasive material such as sandstone.
- For extensive floor sawing applications, mount the saw on the trolley (accessory).

Cut-off wheel specifications

WARNING

Risk of injury. The use of cut-off wheels that are not in compliance with the ANSI standard can increase the risk of injury for the user.

- Do not use cut-off wheels that are not in compliance with the existing ANSI standard for cut-off wheels.

Diamond cut-off wheels in accordance with ANSI B7.1 are to be used with the product. Synthetic resin-bonded, fiber-reinforced cut-off wheels in accordance with ANSI B7.1 (straight, not dish-shaped, type cutting-off wheel) may also be used with the product for working on metals.

The instructions for use and installation instructions issued by the cut-off wheel manufacturer must be observed.

Items supplied

Gasoline-powered saw, operating instructions.

Other system products approved for use with this product can be found at your local **Hilti Store** or at: www.hilti.group

Consumables and wearing parts

- Air filter
- Cord
- Starter
- Fuel filter
- Spark plug
- Tool set
- Cylinder set
- Mounting screw assy.
- Flange (2)
- Centering bushing 20 mm/1"

Technical data

Product properties

	DSH 700-X 14"	DSH 900-X 16"
Product generation	04	04
Weight without cut-off wheel, fuel tank empty	12.1 kg (26.7 lb)	12.4 kg (27.3 lb)
Weight with saw trolley, without cut-off wheel, fuel tank empty	43.1 kg (95.0 lb)	43.4 kg (95.7 lb)
Maximum spindle speed	5,100 /min (85.0 Hz)	4,700 /min (78.3 Hz)



	DSH 700-X 14"	DSH 900-X 16"
Max. rotational speed of the cut-off wheel	5,100 /min (85.0 Hz)	4,700 /min (78.3 Hz)
Maximum cutting depth	125 mm (4.9 in)	150 mm (5.9 in)
Engine type	Single-cylinder, air-cooled two-stroke engine	Single-cylinder, air-cooled two-stroke engine
Engine displacement	87 cm ³ (5.3 in ³)	87 cm ³ (5.3 in ³)
Rated power (ISO 7293)	4.2 kW (5.6 hp)	4.2 kW (5.6 hp)
Engine rated speed (ISO 7293)	8000 ± 200 /min	8000 ± 200 /min
Idling speed	2750 ± 250 /min	2750 ± 250 /min
Ignition (type)	Electronically-controlled ignition timing	Electronically-controlled ignition timing
Electrode gap	0.7 mm (0.03 in)	0.7 mm (0.03 in)
Spark plug	Manufacturer: NGK, type: CMR7A	Manufacturer: NGK, type: CMR7A
Tightening torque for fitting the spark plug	12 Nm (9 ftlb _i)	12 Nm (9 ftlb _i)
Carburetor	Manufacturer: Walbro; model: WT; type: 1152	Manufacturer: Walbro; model: WT; type: 1152
Fuel mixture	API-TC oil 2% (1:50)	API-TC oil 2% (1:50)
Tank capacity	30.4 oz (900 cm ³)	30.4 oz (900 cm ³)
Arbor hole, cut-off wheel / diameter of centering collar of centering bushing (reversible)	20 mm or 25.4 mm (0.8 in or 1.00 in)	20 mm or 25.4 mm (0.8 in or 1.00 in)
Minimum flange outside diameter	102 mm (4.0 in)	102 mm (4.0 in)
Max. wheel thickness (steel disc thickness)	5.5 mm (0.22 in)	5.5 mm (0.22 in)
Maximum wheel outside diameter	350 mm (13.8 in)	400 mm (15.7 in)
Tightening torque for fitting the cut-off wheel	25 Nm (18 ftlb _i)	25 Nm (18 ftlb _i)

Exhaust emission values

The values obtained were obtained under laboratory conditions and derive from the test of an engine representative of the engine type over a fixed test cycle.

Emission values, CO ₂ in [g/kWh]	840.1
---	-------

Preparations at the workplace

Fuel

The two-stroke engine runs on a mixture of gasoline and oil. The quality of the fuel mixture decisively influences operation and life expectancy of the engine.

WARNING

Risk of injury. The inhalation of gasoline vapors and skin contact with gasoline may be hazardous to the health.

- ▶ Avoid direct skin contact with gasoline. Wear protective gloves.
- ▶ If your clothing becomes soiled with gasoline, it is essential to change your clothing.
- ▶ Ensure that the workplace is well ventilated in order to avoid breathing in gasoline fumes.
- ▶ Use a fuel container that complies with the applicable regulations.

Selection criteria for fuel

- ▶ Use regular or super gasoline with an octane rating of at least 89 ROZ.

The alcohol content (e.g. ethanol, methanol or others) of the fuel used must not exceed 10%, otherwise the life expectancy of the engine will be greatly reduced.

Two-stroke oil

- ▶ Use good-quality two-stroke oil for air-cooled engines that meets at least the API-TC specification.



Mixing fuel


i Always check that the specification of the two-stroke oil is correct for the application and always use a fuel/two-stroke oil mixture of the optimum mixing ratio. This helps prevent excessive wear and damage to the engine.

The optimum mixing ratio is **1:50**. This corresponds to 1 part two-stroke oil with the specification API-TC and 50 parts gasoline (e.g. 100 ml of two-stroke oil and 5 liters of gasoline mixed in a canister of appropriate capacity).

If you are uncertain of the quality of the two-stroke oil or the gasoline, increase the mixing ratio to **1:25**.

1. Pour the required quantity of two-stroke oil into the fuel canister.
2. Then fill the gasoline into the fuel canister.
3. Close the fuel canister.
4. Mix the fuel by shaking the fuel canister.

Refueling

1. If the following equipment exists, also take this action:
 - ▶ Mix the fuel/two-stroke oil mixture.  8
2. Place the product in a steady upright position.
3. Open the fuel tank by turning the cap counterclockwise and then removing the cap.
4. Fill the tank slowly using a funnel.
5. Close the fuel tank by fitting the cap and then turning the cap clockwise.
6. Close the fuel canister.

Assembly and adjustment

WARNING

Risk of injury. Contact with the rotating cut-off wheel can lead to injury. Hot parts of the machine or a hot cut-off wheel may cause burning injuries.

- ▶ Before fitting or adjusting any parts of the product, make sure that the engine is switched off, that the cut-off wheel has completely stopped rotating and that the product has cooled down.
- ▶ Wear protective gloves.

Fitting a cut-off wheel

WARNING

Risk of injury and damage. Unsuitable cut-off wheels or unsuitable parts used to secure the wheel can suffer irreparable damage during operation or lead to loss of control of the product or breakage of the accessory tool.

- ▶ Make sure that the cut-off wheel's maximum permissible speed is at least as high as the maximum spindle speed stated on the product. Use only cut-off wheels, flanges and screws that are suitable for your product.
- ▶ Use only cut-off wheels with a mounting hole diameter of 20 mm or 25.4 mm (1") and that are a correct fit on the centering bushing.

WARNING

Risk of injury and damage. Damaged cut-off wheels may break.

- ▶ If the cut-off wheel has been subjected to an impact, check the wheel for damage and replace it if necessary.
- ▶ Never use cut-off wheels that are damaged, run untrue or vibrate.

WARNING

Risk of injury and damage. Over-tightening securing screws can lead to damage or breakage of the securing screw itself or to the washer installed on the securing screw.

- ▶ Be sure to tighten the securing screw to the specified tightening torque.
- ▶ Take care not to overtighten the securing screw.

WARNING

Risk of injury! Incorrect installation or removal of the cut-off wheel can result in loose parts getting into the eyes and causing injuries.

- ▶ Always wear eye protection (protective goggles) when changing the accessory tool.
1. Insert the locking pin in the hole in the drive belt cover and turn the cut-off wheel until the locking pin engages.
 2. Release the securing screw by turning the screw counterclockwise with the wrench and then remove the screw and washer.
 3. Remove the locking pin.
 4. Remove the clamping flange and the cut-off wheel.
 5. Check that the diameter of the arbor hole in the cut-off wheel to be installed matches the centering collar of the cut-off wheel centering bushing.

i The centering bushing has a 20 mm diameter centering collar on one side and a 25.4 mm (1") diameter centering collar on the other side.

6. Clean the clamping and centering surfaces on the product and on the cut-off wheel.
7. Place the cut-off wheel with centering collar on the drive arbor and check that the direction of rotation is correct.
 - ▶ The direction-of-rotation arrow on the cut-off wheel must match the direction of rotation indicated on the product.
8. Place the clamping flange and washer on the drive arbor and tighten the securing screw by turning it clockwise.
9. Insert the locking pin in the locking hole in the drive belt cover and turn the cut-off wheel until the locking pin engages.



10. Securely tighten the clamping screw (tightening torque: 25 Nm).
11. Remove the locking pin.

**CAUTION**

Risk of injury and damage. Damaged accessory tools can break.

- ▶ Never use an accessory tools that is damaged, runs out of true or vibrates.
- ▶ Keep clear of the danger zone.

12. After fitting a new cut-off wheel, run your product at full speed under no load for approximately 1 minute.

Adjusting the guard**WARNING**

Risk of injury. Contact with the cut-off wheel, flying fragments or sparks can cause injury to persons.

- ▶ Adjust the guard so that flying particles or fragments of the material removed and flying sparks are directed away from the operator and the product.
- ▶ Rotate the guard into the desired position.
 - ▶ Make sure that the opening of the blade guard is not toward the user.



Do not use the curved water distributor as a grip.

Conversion from normal cutting to flush cutting

The front section of the saw arm can be converted to allow flush cuts to be made (e.g. as close as possible to edges and walls).


- ▶ If you wish to use the product in the flush cutting position, have the product converted by **Hilti Service**.

Locking rotary movement of the guide wheels 4**WARNING**

Risk of injury. The saw could move inadvertently or fall down.

- ▶ When working on roofs, scaffolds and/or slopes, always block the guide rollers to prevent unwanted movement.
1. Release the guide wheel mounting screws and remove the guide wheels.
 2. Reverse the guide wheels (turn through 180°) and refit the mounting screws.
 - ▶ The integrated locking function is active.
 3. Check that the guide wheels are securely fastened.

Mounting the gasoline-powered saw on the saw trolley (accessory) 5

1. Remove the water tank from the saw trolley.
2. Move the cutting depth adjustment lever into the upper position.
3. Open the hold-down device by releasing the screw knob.
4. Fit the saw into the forward mount with the wheels as shown and swing the grip of the saw under the hold-down device.
5. Secure the saw by tightening the screw knob.
6. Fit the water tank after filling it.
7. Adjust the grip to a convenient working height.
8. Adjust the guard.  9



Especially when using the machine in this configuration for the first time, check to ensure that the throttle cable is correctly adjusted. When the throttle trigger is pressed fully, the product must run up to maximum speed. If this is not the case, the throttle cable can be readjusted by way of the cable tensioner.

When the throttle is not actuated, the engine must be idling and the cut-off wheel must not rotate. If this is not the case, switch off by pushing the run/stop switch to the “stop” position and then adjust the throttle cable or have the idling speed adjusted by **Hilti Service**.

Fitting the water pump (accessory) 6

1. Switch the product off.
2. Release the three pump cover retaining screws, remove the parts and store the pump cover in a safe place.



The pump cover must be fitted if the tool is used without the water pump.

3. Hold the water pump in position and turn the cut-off wheel slightly to bring the splines of water pump and clutch bell into alignment so that the splines engage.
 - ▶ The position is keyed so it is not possible to position the pump incorrectly.
4. Install the three retaining screws and tighten them to the specified tightening torque (tightening torque: 8 Nm).
5. Connect the pump hose to the hose connector on the saw.
6. Remove the protective cap from the end of the water connection hose.
7. Make sure that the water pressure in the water supply line is not more than 6 bar.
 - ▶ If the pressure in the water supply line is more than 6 bar, reduce the water pressure.



- Connect the water pump to the water supply or immerse the end of the suction hose in a container filled with water.



Fit the protective cap to the end of the water connection hose when the water pump is not connected to a water supply.

Removing the water pump (accessory)

- Switch the product off.
- Disconnect the water supply from the water pump.
- Fit the protective cap to the end of the water connection hose.
- Disconnect the connector between the pump and the tool.
- Release the three fastening screws on the pump and then remove the pump.
- Fit the pump cover on the tool, insert the three retaining screws and tighten the screws securely (tightening torque: 4 Nm).

Starting the engine



DANGER

Risk of asphyxiation. Carbon monoxide, unburned hydrocarbons and benzene in the exhaust gas may cause asphyxiation.

- Don't work in closed rooms, trenches or pits and make sure the area is well ventilated.



WARNING

Risk of injury due to unexpected product behavior! Watch out for atypical behavior of the product. If you observe any of the following phenomena before start-up or during operation, immediately cease all work with the product and switch off the product, e.g. by pushing the on/stop switch to the **Stop** position, depressing the primer bulb (starter pump) or pulling the spark plug connector off the spark plug. Contact Hilti Service.

- Changed, increased speeds or unwanted acceleration of engine or cut-off wheel.
- Control switch, throttle trigger or other controls jam, are blocked or evince delayed reaction or return very slowly to the initial position.
- The cut-off wheel brakes considerably more slowly than expected or does not brake at all.



WARNING

Risk of burning injury. The exhaust system gets extremely hot when the engine is running. It stays hot for a long time after the engine is switched off.

- Wear protective gloves and avoid touching the exhaust system.
- Do not lay the product down on flammable material while hot.



WARNING

Risk of injury. A damaged exhaust system raises the noise level above the permissible limit and increases the risk of suffering hearing damage.

- Never use the product if the exhaust system is damaged, missing or if it has been tampered with.



WARNING

Risk of injury if product is operated without the cover for the water pump correctly installed Touching the water pump connection during operation leads to injuries.

- Before starting operation, make sure that the cover for the water pup is correctly installed.



WARNING

Risk of injury due to substances and gases igniting. Burns and fatalities can result.

- Do not use the product if flammable substances and gases are present.
- Ensure adequate ventilation.



CAUTION

Risk of burns or injury through pinching the fingers when the water pump is fitted. Touching the pump housing can cause burning injuries.

- Hold the forward grip only at the top and on the left side.
- Press the decompression valve (once).
 - When starting the cold engine (only when cold), squeeze the primer bulb 2 to 3 times (until the primer bulb is completely filled with fuel).
 - Press the throttle safety grip and keep it pressed.
 - Press the throttle trigger and keep it pressed.
 - Move the run/stop switch to the "start" position.
 - Release the throttle safety grip and throttle trigger.
 - This half-throttle position is activated.
 - Check that the cut-off wheel is free to rotate.
 - Position your right foot over the lower part of the rear grip.
 - Pull the starter handle slowly with your right hand until resistance is felt.
 - Pull the starter handle vigorously.
 - Repeat this action until the engine starts.
 - Press the throttle trigger briefly as soon as the engine starts.
 - This disengages the half-throttle position and the engine then runs at idling speed when the throttle is released.



Checks after starting the engine

1. Check that the cut-off wheel remains stationary when the engine is idling and, after briefly running at full speed, that the wheel again comes to a complete standstill.
 - ▶ Readjust (reduce) the idling speed if the cut-off wheel doesn't stop rotating when the engine is idling. If this is not possible, please bring the product to **Hilti Service**.
2. Check that the run/stop switch is functioning correctly. Move the run/stop switch to the "stop" position.
3. If the engine doesn't stop, compress the primer bulb. If the engine still doesn't stop, pull the spark plug connector off the spark plug and bring the product to **Hilti Service**.

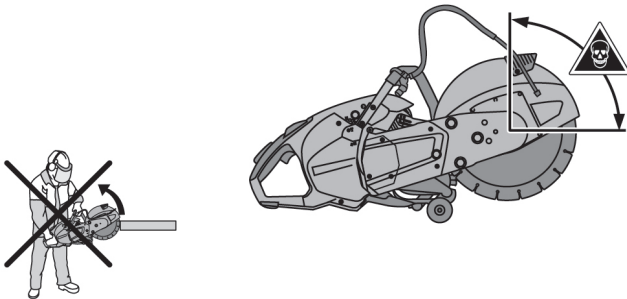
Switching the engine off **WARNING**

Risk of injury. A rotating cut-off wheel can break or shatter, possibly resulting in flying fragments.

- ▶ Allow the rotating cut-off wheel to come to a complete standstill before you lay the saw down.
-
1. Release the throttle trigger.
 2. Move the run/stop switch to the "stop" position.
 - ▶ The engine stops.
-

Operation**Cutting techniques****Avoiding kickback**

There is a risk of kickback if the cut-off saw comes into contact with the working surface in the area indicated.

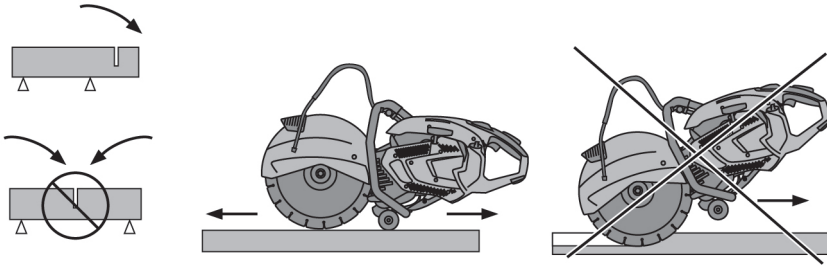


- ▶ Avoid bringing the cut-off saw into contact with the working surface in the area indicated.
- ▶ Always bring the cut-off wheel into contact with the workpiece from above. Allow the cut-off wheel to contact the workpiece only at a point below its rotational axis.
- ▶ Take special care when inserting the cut-off wheel in an existing kerf.

Avoiding stalling

If the cut-off wheel binds when the product is cutting in the direction of the ground, the product can jump forward in an uncontrolled manner. If the cut-off wheel binds when the product is cutting vertically, for example in a wall, the product can jump upward in an uncontrolled manner.





CAUTION

Risk of cut-off wheel breakage or kickback. Application of excessive pressure causes distortion of the cut-off wheel. Sticking or stalling of the cut-off wheel increases the probability of kickback or cut-off wheel breakage.

- ▶ Avoid applying excessive pressure when cutting and don't allow the cut-off wheel to stick and stall.
- ▶ Don't attempt to make an excessively deep cut.
- ▶ When cutting a thick workpiece, increase the depth of the kerf in steps. Avoid excessively deep cuts.
- ▶ Allow the cut-off saw to reach full speed before starting the cut.
- ▶ Bring the cut-off wheel into contact with the workpiece at right angles and below the axis of rotation.
- ▶ Ease the cut-off wheel slowly into the workpiece in a back-and-forth movement, without applying excessive pressure.
- ▶ Apply moderate pressure, adjusting the rate of advance to suit the material being cut.



A decrease in the rate of cutting progress may be an indication of blunt/dull ("polished") diamond segments. The diamond segments can be resharpened by making a few cuts in an abrasive material (Hilti sharpening plate or sand-lime block).

- ▶ Guide the cut-off saw smoothly and without applying lateral pressure to the cut-off wheel.
- ▶ Always hold the cut-off saw firmly with both hands on the grips provided. Keep the grips dry, clean and free from oil and grease.
- ▶ Make sure there is no-one in the working area and, in particular, in the direction in which the cut is to be made. Keep everyone approx. 15 m away from your workplace.

Positioning workpiece



- ▶ Support slabs or large workpieces so that the kerf remains open during and after the cutting operation.

Care and maintenance

WARNING

Risk of injury. Touching the rotating cut-off wheel or hot parts of the machine may lead to injury or burns.

- ▶ Switch the engine off and allow the product to cool down before all maintenance, repairs, cleaning or servicing.

Maintenance table

	Before use	Every 6 months	If necessary
Check that the tool is complete, in perfect condition and free of leaks. Have it repaired if necessary.	✓		
Check for dirt and foreign matter. Clean if necessary.	✓		
Check that the controls function correctly. Have repairs carried out if necessary.	✓		
Check that the cut-off wheel is in perfect condition. Replace if necessary.	✓		
Check that all externally accessible nuts and screws are securely tightened.	✓	✓	✓
Check that the fuel filter is clean. Replace it if necessary.		✓	✓



	Before use	Every 6 months	If necessary
Replace the air filter if the product does not start or engine performance fades noticeably.			✓
Clean or replace the spark plug if the product does not start or is difficult to start.			✓
Adjust the idling speed if the cut-off wheel does not slow to a standstill when the engine is idling.			✓
Have the product repaired by Hilti Service if the drive belt slips when a load is applied to the cut-off wheel.			✓

Cleaning or replacing the air filter

ATTENTION

Risk of damage. Entry of dust causes irreparable damage to the product.

- ▶ Never operate the machine if the air filter is damaged or missing.
- ▶ When changing the air filter, the product should stand upright and should not be laid on its side. Take care to ensure that no dust finds its way onto the underlying filter screen.



Change the air filter if engine performance drops noticeably or if the engine becomes difficult to start.

1. Release the securing screw on the air filter cover and remove the cover.
2. Carefully remove the dust adhering to the air filter and the filter chamber (use a vacuum cleaner).
3. Release the four screws retaining the filter holder and remove the air filter.
4. Fit the new filter and secure it with the filter holder.
5. Fit the air filter cover and tighten the retaining screws.

Replacing a broken starter cord

ATTENTION

Risk of damage. The housing may suffer damage if the starter cord is too short.

- ▶ Never continue to use a broken starter cord. Replace it immediately.
1. Unscrew the three securing screws and remove the starter assembly.
 2. Remove the remaining pieces of the starter cord from the spool and the starter handle.
 3. Make a secure knot in the end of the replacement starter cord and then pass the free end of the cord through the hole in the spool from above.
 4. Pass the end of the cord through the opening in the starter housing from below, also through the starter handle from below, and then make a secure knot in the end of the cord.
 5. Pull a length of the starter cord out of the housing as shown in the illustration and pass it through the slot in the spool.
 6. Hold the cord securely close to the slot in the spool and then rotate the spool in a clockwise direction as far as it will go.
 7. Rotate the spool back from its end point at least a ½ revolution, max. 1 ½ revolutions, until the slot in the spool is in alignment with the opening in the starter housing.
 8. Hold the spool securely and pull the free end of the cord out of the housing towards the starter handle.
 9. Hold the cord under tension, release the spool and allow the starter cord to be pulled in.
 10. Pull the starter cord out as far as it will go and check to ensure that the spool can be turned by hand at least a further ½ turn in a clockwise direction. If this is not possible, spring tension must be reduced by one revolution in a counterclockwise direction.
 11. Fit the starter assembly and press it down gently. Pull the starter cord slightly until the coupling engages and the starter assembly is fully seated.
 12. Secure the starter assembly with the three retaining screws.

Replacing the fuel filter

WARNING

Risk of injury. The inhalation of gasoline vapors and skin contact with gasoline may be hazardous to the health.

- ▶ Avoid direct skin contact with gasoline. Wear protective gloves.
- ▶ If your clothing becomes soiled with gasoline, it is essential to change your clothing.
- ▶ Ensure that the workplace is well ventilated in order to avoid breathing in gasoline fumes.
- ▶ Use a fuel container that complies with the applicable regulations.



When refueling the product, take care to ensure that no dirt or foreign matter finds its way into the fuel tank.

1. Remove the cap from the fuel tank.
2. Pull the fuel filter out of the fuel tank.
3. Check the condition of the fuel filter.
 - ▶ Replace the fuel filter if it is very dirty or clogged.
4. Slide back the clip on the hose and remove the dirty fuel filter.



5. Fit a new fuel filter and secure it with the clip on the hose.
6. Push the fuel filter back into the fuel tank.
7. Close the fuel tank.

Cleaning the spark plug, setting the spark plug gap or replacing the spark plug **11**

CAUTION

Risk of injury. The spark plug and parts of the engine may be hot immediately after the product has been in use.

- ▶ Allow the product to cool down before undertaking maintenance or cleaning.
1. Use a gentle twisting motion to pull the cable connector off the spark plug.
 2. Use the spark plug wrench to unscrew and remove the spark plug from the cylinder.
 3. If necessary, clean the spark plug electrode with a soft wire brush.
 4. Check the spark plug gap and, if necessary, adjust it to the correct gap of 0,7 mm with a feeler gauge.
 5. Fit the ignition cable connector to the spark plug and hold the threaded section of the spark plug against the cylinder.
 6. Move the run/stop switch to the "start" position.

WARNING

Risk of injury. Touching the electrodes presents a risk of electric shock.

- ▶ Don't touch the spark plug electrodes.
7. Pull the starter cord (press the decompression valve first).
 - ▶ An ignition spark must now be clearly visible.
 8. Use the spark plug wrench to screw the spark plug into the cylinder (tightening torque: 12 Nm).
 9. Fit the ignition cable connector to the spark plug.

Adjusting the carburetor **12**

The carburetor of this product was adjusted to the optimum setting prior to dispatch. The idling speed of the machine (jet T) may be adjusted by the user. All other adjustments must be carried out by **Hilti Service**.



Tampering with the carburetor settings may cause damage to the engine.

- ▶ Clean the air filter. 13
- ▶ Allow the product to run until it reaches its normal operating temperature.
- ▶ Use a suitable flat screwdriver (tip width 4 mm/ ⁵/₃₂ ") and do not force the adjusting screw beyond its intended adjustment range.
- ▶ Adjust the idling speed jet (T) so that the engine runs smoothly when idling but the cut-off wheel does not begin to rotate.

Care and maintenance of the machine



To help ensure safe and reliable operation, use only genuine Hilti spare parts and consumables. Spare parts, consumables and accessories approved by **Hilti** for use with your product can be found at your **Hilti Store** or online at: www.hilti.group

- ▶ Keep the product, especially its gripping surfaces, clean and free from oil and grease.
- ▶ Do not use cleaning agents containing silicone.
- ▶ Clean the outer surfaces of the machine at regular intervals with a slightly damp cloth or a dry brush. Do not use a spray, steam pressure cleaning equipment or running water for cleaning.
- ▶ Do not allow foreign objects to enter the interior of the product.

Maintenance

1. Check all external parts of the product and the accessories for damage at regular intervals and check that all controls operate faultlessly.
2. Do not use the product if parts are damaged or if operating controls do not function faultlessly. Have the product repaired by **Hilti Service**.

Checks after care and maintenance work

- ▶ After carrying out care and maintenance, check that all protective and safety devices are fitted and that they function faultlessly.

Cleaning the water nozzles **13**

1. Remove the cleaning screw on the curved water distributor.
2. Use a wire to clean the water nozzles.
3. Fit the cleaning screw.

Transport and storage

Transportation in a vehicle

WARNING

Risk of fire and explosion. If the product tips over during transport, fuel may run out of the fuel tank.

- ▶ Empty the product's fuel tank completely before packing and shipping it.
- ▶ Transport the product, as far as possible, in its original packaging.

WARNING

Fire hazard. Hot parts of the machine could ignite material lying about in the surrounding area.

- ▶ Allow the product to cool down completely before packing it away or loading it into a vehicle..

1. Remove the cut-off wheel.



2. Secure the product to prevent it falling over, thereby causing damage or fuel spillage.
3. Transport the saw trolley only when the water tank has been emptied.

Storing the fuel mixture



CAUTION

Risk of injury. As pressure may build up in the fuel tank there is a risk of fuel being forced out when the fuel cap is opened.

- ▶ Always open the cap of the fuel tank carefully so that the pressure is relieved gradually.
- ▶ Store the fuel in a dry, well-ventilated room.

1. Mix only enough fuel for a few days' use.
2. Clean the fuel container occasionally.

Troubleshooting

Trouble or fault	Possible cause	Action to be taken
Cut-off wheel slows down or stops completely while cutting.	Excessive cutting pressure applied (cut-off wheel stalls in the kerf) or pressure applied to the cut-off wheel from the side.	▶ Reduce pressure when cutting and guide the product in a straight line.
	The cut-off wheel is not correctly fitted and tightened.	▶ Check how it is fitted and the tightening torque.
	Wrong direction of rotation.	▶ Fit the cut-off wheel. 8
	The forward section of the saw arm is loose.	▶ Have the product repaired by Hilti Service .
High vibration, wheel wanders off the cutting line.	The cut-off wheel is not correctly fitted and tightened.	▶ Check how it is fitted and the tightening torque.
	Cut-off wheel is damaged (or unsuitable specification, cracked, segments missing, bent, overheated, deformed, etc.).	▶ Change the cut-off wheel.
	The centering bushing is fitted incorrectly.	▶ Check that the diameter of the arbor hole in the cut-off wheel matches the centering collar of the cut-off wheel centering bushing.
The saw doesn't start or is difficult to start.	The fuel tank is empty (no fuel in the carburetor).	▶ Fill the product's fuel tank. 8
	Air filter clogged with dirt or dust.	▶ Change the air filter.
	The engine is flooded (spark plug wet).	▶ Remove the spark plug, dry the plug and allow the cylinder to dry out.
	Wrong fuel mixture.	▶ Empty the fuel tank and flush out the tank and fuel supply line. ▶ Fill the fuel tank with the correct fuel.
	Air in the fuel line (no fuel reaching the carburetor).	▶ Remove the air from the fuel line by operating the fuel pump several times.
	The fuel filter is dirty or blocked (no fuel or too little fuel reaching the carburetor).	▶ Clean the fuel tank and change the fuel filter.
	No ignition spark visible or spark is too weak (seen when spark plug is removed).	▶ Clean the spark plug to remove carbon deposits. ▶ Check the spark plug electrode gap and set it correctly. ▶ Change the spark plug. ▶ Check the ignition coil, cable, plug connections and switch and change the defective part if necessary.
	Engine compression is too low.	▶ Check the engine compression and, if necessary, replace worn parts (piston rings, piston, cylinder, etc.).
	The ambient temperature is too low.	▶ Allow the saw to warm up to room temperature and repeat the starting procedure.
		The spark arrester or exhaust exit is clogged.
	The decompression valve is stiff to operate.	▶ Make sure that the valve operates freely.
Low engine power / poor cutting performance	Air filter clogged with dirt or dust.	▶ Change the air filter.



Trouble or fault	Possible cause	Action to be taken
Low engine power / poor cutting performance	No ignition spark visible or spark is too weak (seen when spark plug is removed).	<ul style="list-style-type: none"> ▶ Clean the spark plug to remove carbon deposits. ▶ Check the spark plug electrode gap and set it correctly. ▶ Change the spark plug. ▶ Check the ignition coil, cable, plug connections and switch and change the defective part if necessary.
	Wrong fuel mixture.	<ul style="list-style-type: none"> ▶ Empty the fuel tank and flush out the tank and fuel supply line. ▶ Fill the fuel tank with the correct fuel.
	The cut-off wheel specification is unsuitable for the material to be cut.	▶ Change the cut-off wheel or consult Hilti Service .
	Drive belt or cut-off wheel slips.	<ul style="list-style-type: none"> ▶ Check that the cut-off wheel is clamped securely. ▶ Have the product repaired by Hilti Service.
	Engine compression is too low.	▶ Check the engine compression and, if necessary, replace worn parts (piston rings, piston, cylinder, etc.).
	The product is used at an altitude greater than 1500 meters above sea level.	▶ Have the carburetor adjusted by Hilti Service .
	Incorrect carburetor setting (fuel / air mixture).	▶ Have the carburetor adjusted by Hilti Service .
Cut-off wheel rotates while the engine is idling.	Idling speed is too high.	▶ Check the idling speed and adjust it if necessary.
	The half-throttle position is engaged.	▶ Release the half-throttle position.
	Faulty centrifugal clutch.	▶ Change the centrifugal clutch.
Cut-off wheel doesn't rotate.	Inadequate drive belt tension or the drive belt is broken.	▶ Have the product repaired by Hilti Service .
Starter assembly doesn't work.	The clutch claws are not engaging.	▶ Clean the clutch claws so that they move freely.
	Starter cord broken.	▶ Replace the starter cord.

Disposal

Most of the materials from which **Hilti** products are manufactured can be recycled. The materials must be correctly separated before they can be recycled. In many countries, your old tools, machines or appliances can be returned to **Hilti** for recycling. Ask **Hilti Service** or your Hilti representative for further information.

Drilling slurry

Disposal of drilling slurry directly into rivers, lakes or the sewerage system without suitable pretreatment presents environmental problems.

- ▶ Ask the local public authorities for information about current regulations.

We recommend the following pretreatment:

- ▶ Collect the drilling slurry (for example, using a wet-type vacuum cleaner).
- ▶ Allow the drilling slurry to settle and dispose of the solid material at a construction waste disposal site (addition of a flocculent may accelerate the settling process).
- ▶ The remaining water (alkaline, pH value greater than 7) must be neutralized by the addition of an acidic neutralizing agent or diluted with a large volume of water before it is allowed to flow into the sewerage system.

Further information

For more information on operation, technology, environment and recycling, follow this link: qr.hilti.com/manual/?id=2364461

This link is also to be found at the end of the operating instructions, in the form of a QR code.

Manufacturer's warranty

- ▶ Please contact your local **Hilti** representative if you have questions about the warranty conditions.

Federal emission control warranty statement

Your warranty rights and obligations

The United States Environmental Protection Agency (EPA) and **Hilti** are pleased to explain the emission control system warranty for your small non-road engine. In U.S. and Canada, small non-road engines must be designed, built and equipped to meet the stringent federal antismog standards. The equipment engine must be free from defects in materials and workmanship which cause it to fail to conform with U.S. EPA standards for the first two years from the date of sale to the ultimate purchaser. **Hilti** must warrant the emission control system on your small non-road engine for the periods of time listed above, provided there has been no abuse, neglect or improper maintenance of your unit. Your emission control system includes parts such as the carburetor and the ignition system. Where a warrantable condition exists, **Hilti** will repair at no cost to you. Expenses covered under warranty include diagnosis, parts and labor.





Manufacturer's warranty coverage

All 2001 and later small non-road engines are warranted to meet the applicable EPA requirements for two years. If any emission related part on your engine (as listed above) is defective, the part will be repaired or replaced by **Hilti**.

Owner's warranty responsibilities

As a small non-road engine owner, you are responsible for performance of the required maintenance as defined by **Hilti** in the owner's manual. **Hilti** recommends that you retain all receipts covering maintenance on your small non-road engine, but **Hilti** cannot deny warranty solely for the lack of receipts or for your failure to ensure the performance of all scheduled maintenance. Any replacement part or service that is equivalent in performance and durability may be used in non-warranty maintenance or repairs, and shall not reduce the warranty obligations of the engine manufacturer. As the small non-road equipment owner, you should be aware, however, that **Hilti** may deny you warranty coverage if your small non-road engine or a part of it has failed due to abuse, neglect, improper maintenance, unapproved modifications or the use of parts not made or approved by the original equipment manufacturer. You are responsible for presenting your small non-road engine to **Hilti** as soon as the problem exists. The warranty repairs should be completed in a reasonable amount of time, not to exceed 30 days.


Coverage

Hilti warrants to the ultimate purchaser and each subsequent purchaser that your small non-road equipment engine will be designed, built equipped, at the time of sale, to meet all applicable regulations. **Hilti** also warrants to the initial purchaser and each subsequent purchaser that the emission-related warranted parts are free from defects in material and workmanship which cause the engine to fail to conform with applicable regulations for a period of two years. These warranty periods will begin on the date small non-road equipment engine is purchased by the initial purchaser. If any emission-related part on your engine is defective during this warranty period, the part will be replaced by **Hilti** at no cost to the owner. **Hilti** shall remedy warranty defects at authorized **Hilti** service and repair centers. Any authorized work done at an authorized **Hilti** service and repair center shall be free of charge to the owner if it is determined that a warranted part is defective. For warranty maintenance or repair work on emission-related parts any manufacturer-approved or equivalent part may be used; such part must be provided free of charge to the owner if the warranted part is still under warranty. **Hilti** is liable for damages to other engine components caused by the failure of a warranted part still under warranty.

Maintenance requirements

The owner is responsible for performing the required maintenance as defined by **Hilti** in the owner's manual.

Limitations

The Emission Control Systems Warranty shall not cover any of the following: a) repair or replacement required because of misuse, neglect or lack of required maintenance, b) repairs improperly performed or replacements not conforming to **Hilti** specifications that adversely affect performance and/or durability, and alterations or modifications not recommended or approved in writing by **Hilti**, and c) replacement of parts and other services and adjustments necessary for required maintenance at and after this first scheduled replacement point. In all other than the above-mentioned cases, the terms and conditions set out in the manufacturer's warranty  17 below shall apply.

Manufacturer's warranty

Hilti warrants that it will repair or replace any part containing a defect in material and workmanship for 20 years from the original sale date. This warranty is valid so long as the tool is operated and handled correctly, cleaned and serviced properly and in accordance with the **Hilti** Operating Instructions, and the technical system is maintained. This means that only original **Hilti** consumables, components and spare parts may be used in the tool.

This warranty provides the free-of-charge repair or replacement of defective parts only over the entire lifespan of the tool. Parts requiring repair or replacement as a result of normal wear and tear are not covered by this warranty.

Additional claims are excluded, unless stringent national rules prohibit such exclusion. In particular, Hilti is not obligated for direct, indirect, incidental or consequential damages, losses or expenses in connection with, or by reason of, the use of, or inability to use the tool for any purpose. Implied warranties of merchantability or fitness for a particular purpose are specifically excluded.

For repair or replacement, contact **Hilti** immediately upon discovery of the defect at:

In the USA:

800.879.8000

Hilti Inc.

7250 Dallas Parkway, Suite 1000

Plano, TX 75024

CS.InboundUS@hilti.com

In Canada:

800.343.4458

Hilti (Canada) Corporation

2360 Meadowpine Blvd

Mississauga, ON L5N 6S2

CanadaSalesSupport.English@hilti.com

CanadaSalesSupport.French@hilti.com

This constitutes **Hilti's** entire obligation with regard to warranty and supersedes all prior or contemporaneous comments and oral or written agreements concerning warranties.



fr Mode d'emploi original

Indications relatives au mode d'emploi

À propos de ce mode d'emploi

- **Avertissement** ! Il convient de lire et comprendre toute la documentation jointe, y compris, sans s'y limiter, les instructions, avertissements de sécurité, illustration et spécifications fournies avec le présent produit. Prenez connaissance de toutes les instructions, avertissements de sécurité, illustrations, spécifications et fonctions du produit avant de l'utiliser. Tout manquement à cette obligation peut entraîner un choc électrique, un incendie, et/ou des blessures graves. Conservez l'ensemble des avertissements et instructions pour consultation ultérieure.
- Les produits sont destinés aux professionnels et ne doivent être utilisés, entretenus et réparés que par un personnel autorisé et formé. Ce personnel doit être spécialement instruit quant aux dangers inhérents à l'utilisation de l'appareil. Le produit et ses accessoires peuvent s'avérer dangereux s'ils sont utilisés de manière incorrecte par un personnel non qualifié ou de manière non conforme à l'usage prévu.
- La documentation ci-jointe correspond à l'état actuel de la technique à la date d'impression. Veuillez toujours consulter la dernière version sur la page du produit sur le site Internet de Hilti. Pour ce faire, suivez le lien ou scannez le code QR dans la documentation, indiqué par le symbole
- Ne pas prêter ou céder le produit à un autre utilisateur sans lui fournir le présent mode d'emploi.

Explication des symboles

Avertissements

Les avertissements attirent l'attention sur des dangers liés à l'utilisation du produit. Les termes de signalisation suivants sont utilisés :



DANGER

DANGER !

- ▶ Pour un danger imminent qui peut entraîner de graves blessures corporelles ou la mort.



AVERTISSEMENT

AVERTISSEMENT !

- ▶ Pour un danger potentiel qui peut entraîner de graves blessures corporelles ou la mort.



ATTENTION

ATTENTION !

- ▶ Pour une situation potentiellement dangereuse pouvant entraîner des blessures corporelles ou des dégâts matériels.

Symboles dans le manuel d'utilisation

Les symboles suivants sont utilisés dans le présent manuel d'utilisation :

	Respecter le manuel d'utilisation
	Pour des conseils d'utilisation et autres informations utiles
	Maniement des matériaux recyclables
	Ne pas jeter les appareils électriques et les accus dans les ordures ménagères

Symboles dans les illustrations

Les symboles suivants sont utilisés dans les illustrations :

2	Ces chiffres renvoient à l'illustration correspondante au début du présent manuel d'utilisation.
3	La numérotation dans les illustrations indique les étapes de travail importantes ou les composants importants pour les étapes de travail. Dans le texte, ces étapes de travail ou composants sont mis en évidence avec les numéros correspondants, par ex. (3) .
11	Les numéros de position sont utilisés dans l'illustration Vue d'ensemble et renvoient aux numéros des légendes dans la section Vue d'ensemble du produit .
	Ce signe doit inviter à manier le produit en faisant particulièrement attention.

Symboles spécifiques au produit

Symboles sur le produit

Les symboles suivants sont utilisés sur le produit :

	AVERTISSEMENT ! Lire et respecter toutes les instructions de sécurité du manuel d'utilisation. Le non-respect de ces instructions peut entraîner des blessures graves, voire la mort.
	Flèche indiquant le sens de rotation sur le carter de protection
	Position Arrêt du moteur



	Position Marche du moteur
	Pompe de démarreur
	Vis de réglage de la buse de plein régime
	Vis de réglage de la buse de marche à vide
	Vis de réglage de la marche à vide
	Sens d'ouverture du couvercle du réservoir
	Transmission de données sans fil
	Mélange de carburants
/min	Vitesse de rotation
RPM	Tours par minute
	Diamètre

Symboles de danger

Les symboles de danger suivants sont utilisés sur le produit :

	Danger d'ordre général
	Danger dû aux projections d'escarbilles
	Avertissement de risques d'inhalation de vapeurs toxiques et gaz d'échappement
	Danger dû au contrecoup
	Danger dû à une surface chaude
	Vitesse maximale de l'arbre

Symboles d'obligation

Les symboles d'obligation suivants sont utilisés sur le produit :

	Porter un casque antibruit, des lunettes de protection, un masque respiratoire et un casque de protection
	Porter des gants de protection
	Porter des chaussures de protection

Symboles d'interdiction

Les avis d'interdiction suivants sont utilisés sur le produit :

	Ne pas utiliser de disques à tronçonner dentés
	Ne pas utiliser de disques à tronçonner endommagés
	Interdiction de fumer et de manipuler l'appareil à proximité d'un feu ouvert



Sécurité

Indications générales de sécurité

⚠ AVERTISSEMENT Lire toutes les consignes de sécurité, instructions, illustrations et caractéristiques techniques, qui accompagnent ce produit. Tout manquement au respect des instructions suivantes peut entraîner de graves blessures ou un accident mortel.

Les consignes de sécurité et instructions doivent être intégralement conservées pour les utilisations futures.

Sécurité des personnes

- ▶ Utiliser le produit approprié. Ne pas utiliser le produit à des fins non prévues, mais seulement conformément aux spécifications et dans un état technique irréprochable.
- ▶ Ne jamais entreprendre de manipulation ni de modification sur le produit.
- ▶ Le produit doit uniquement être utilisé par des personnes qui connaissent bien l'appareil, ayant été formées quant à son utilisation en toute sécurité et comprenant les dangers qui en résultent. Le produit n'est pas destiné aux enfants.
- ▶ Rester vigilant, surveiller ce que l'on fait. Faire preuve de bon sens en utilisant le produit. Ne pas utiliser le produit en étant fatigué ou sous l'emprise de drogues, de l'alcool ou de médicaments. Un moment d'inattention lors de l'utilisation du produit peut entraîner des blessures graves.
- ▶ Ne pas exercer de force excessive sur la tronçonneuse. Utiliser la tronçonneuse adaptée pour l'application concernée. Avec une tronçonneuse adaptée, les travaux peuvent être effectués de manière plus efficace et plus sûre, à une vitesse de travail pour laquelle la tronçonneuse a été conçue.
- ▶ Ne pas utiliser d'autres outils de coupe que ceux décrits dans la présente documentation.
- ▶ Sauf spécification à cet effet par le fabricant, ne pas utiliser de disques à liant artificiel pour la coupe avec de l'eau.
- ▶ Ne pas utiliser de douilles de réduction et/ou de broches rondes.
- ▶ Pendant l'utilisation du produit, conformément à la norme ANSI Z87.1, l'utilisateur et les personnes à proximité doivent porter des lunettes de protection homologuées, un casque de protection, des protections auditives, des gants de protection, des chaussures de sécurité et une protection respiratoire appropriée.
- ▶ Avant d'utiliser le produit, ou en cas de collision avec un obstacle, vérifier immédiatement si le carter de protection n'est pas endommagé. Tout carter de protection endommagé ou cassé doit être immédiatement remplacé.
- ▶ Veiller à disposer d'un extincteur à proximité, car il y a risque d'incendie du fait de la formation d'étincelles lors du travail et de l'utilisation de carburant.
- ▶ La poussière générée par le meulage, le ponçage, le tronçonnage et le forage peut contenir des produits chimiques dangereux. Quelques exemples : plomb ou peinture à base de plomb ; brique, béton et autres produits de maçonnerie, pierre naturelle et autres produits contenant des silicates ; certains bois, tels que le chêne, le hêtre et le bois traité chimiquement ; amiante ou matériaux contenant de l'amiante. Déterminer l'exposition de l'opérateur et personnes se trouvant dans l'entourage en fonction de la classe de danger des matériaux traités. Prendre les mesures nécessaires pour maintenir l'exposition à un niveau sûr, par exemple en utilisant un système de collecte des poussières ou en portant une protection respiratoire appropriée. Mesures générales visant à réduire l'exposition :
 - ▶ Travailler dans un endroit bien ventilé
 - ▶ Éviter le contact prolongé avec la poussière
 - ▶ Faire en sorte que la poussière soit dirigée loin du visage et du corps
 - ▶ Porter des vêtements de protection et laver les zones exposées à l'eau et au savon.
- ▶ Toujours tenir le produit des deux mains par les poignées prévues à cet effet. Veiller à ce que les poignées soient toujours sèches, propres et exemptes de traces de graisse et d'huile.
- ▶ Si la vitesse de rotation augmente de manière incontrôlée, régler l'interrupteur Marche/Arrêt sur Stop. Contacter le S.A.V. **Hilti**.
- ▶ Arrêter immédiatement la tronçonneuse thermique à l'aide de l'interrupteur Marche / Arrêt, si le câble d'accélération du chariot de guidage est coincé ou que le levier d'accélération coince.
- ▶ Ne jamais utiliser le produit sans carter de protection. Mettre le carter de protection bien en place. Il doit être correctement fixé et positionné pour assurer une protection maximale, de sorte que la partie du disque à tronçonner non protégée en direction de l'utilisateur soit la plus petite possible. Veiller à ce que les étincelles produites en cours d'utilisation n'engendrent pas de danger. Le carter de protection sert à protéger l'utilisateur contre des fragments de disques à tronçonner cassés, le contact involontaire du disque à tronçonner ainsi que des étincelles incontrôlées.
- ▶ Éviter de toucher des pièces en rotation – Risque de blessures !
- ▶ Veiller à garder toujours une position stable et équilibrée. Ceci permet de mieux contrôler le produit dans des situations inattendues. Éviter toute posture anormale. Lors de l'utilisation du produit, le tenir de sorte que la poussière, les projections d'escarbilles et d'éventuels éclats de l'outil amovible ou de la pièce à usiner ne touchent pas le corps. Ne pas se pencher au-dessus du disque à tronçonner.
- ▶ S'habiller de manière adaptée. Ne pas porter de vêtements amples ni de bijoux. Garder les cheveux, les vêtements et les gants à distance des parties en mouvement. Des vêtements amples, des bijoux ou des cheveux longs peuvent être happés par des parties en mouvement.
- ▶ Si le produit ou le disque à tronçonner est tombé, vérifier que le produit et le disque à tronçonner ne sont pas endommagés. Le cas échéant, remplacer le disque à tronçonner.
- ▶ Arrêter le produit avant de modifier le réglage du carter de protection ou de changer de disque à tronçonner.
- ▶ Porter aussi des gants de protection pour changer d'outil. Risque de blessures par coupure et de brûlures au contact avec le disque à tronçonner.
- ▶ Éviter que la peau n'entre en contact avec les boues qui se forment lors du tronçonnage avec de l'eau.
- ▶ Ne pas tronçonner des matériaux contenant de l'amiante.
- ▶ Ne pas tronçonner ni usiner des matériaux légèrement inflammables tels que le magnésium ou le bois.
- ▶ Faire régulièrement des pauses et des exercices de relaxation et de massage des doigts pour favoriser l'irrigation sanguine dans les doigts. En cas de travaux prolongés, les vibrations peuvent perturber la circulation dans les vaisseaux sanguins ou le système nerveux dans les doigts, les mains ou le poignet.



- ▶ Avant de commencer le travail, consulter le staticien, l'architecte ou le chef de chantier compétent. Les fentes dans des murs et autres structures porteurs sont susceptibles de modifier la statique de la construction, en particulier lors d'interventions sur des armatures métalliques ou des éléments porteurs.
- ▶ Lors de travaux d'ajourage, protéger l'espace du côté opposé aux travaux. Des morceaux de matériaux risquent d'être éjectés et / ou de tomber, et de blesser d'autres personnes.
- ▶ Ne jamais laisser le produit fonctionner sans surveillance.
- ▶ Arrêter le moteur et attendre jusqu'à ce que le disque à tronçonner soit complètement immobile avant de déposer le produit au sol ou de le porter ou transporter jusqu'à la prochaine position de travail.
- ▶ Si le produit est utilisé sans pompe à eau externe, il faut dans tous les cas monter le couvercle de pompe.
- ▶ Toujours arrêter le produit après utilisation.
- ▶ Entretenir soigneusement le produit. Vérifier que le fonctionnement du produit n'est pas entravé par des pièces cassées ou endommagées. Faire réparer les parties endommagées avant d'utiliser le produit.
- ▶ N'utiliser que des accessoires et des outils d'origine de **Hilti** pour éviter tout risque de blessures.
- ▶ Ne faire réparer le produit que par un personnel qualifié et seulement avec des pièces de rechange d'origine. Ceci permet d'assurer la sécurité du produit.
- ▶ Observer les exigences en matière de sécurité nationales en vigueur.
- ▶ Éviter tout contact avec les câbles d'allumage ou le connecteur de bougies d'allumage lorsque le moteur est en marche. Toujours couper le moteur lors du remplacement de bougies d'allumage ou lors de la réalisation d'inspections sur le système d'allumage ou sur des composants du système d'allumage.

Sécurité relative au système électrique

- ▶ Avant d'entamer le travail, vérifier qu'il n'y a pas de câbles ou gaines électriques, tuyaux de gaz ou d'eau cachés dans la zone d'intervention. Les pièces métalliques extérieures du produit sont susceptibles de provoquer une décharge électrique si un câble électrique est endommagé par inadvertance.
- ▶ Organiser le travail à effectuer à l'avance après avoir inspecté le site d'intervention. Vérifier si des panneaux d'avertissement ont été posés et s'il faut définir une distance de travail à respecter par rapport aux autres personnes.

Sécurité sur le lieu de travail

- ▶ Veiller à ce que l'espace de travail soit bien éclairé.
- ▶ Ne jamais travailler dans des locaux fermés. Le monoxyde de carbone, les hydrocarbures imbrûlés et le benzène dans les gaz d'échappement peuvent provoquer une asphyxie.
- ▶ Laisser le poste de travail en ordre. Débarrasser le poste de travail de tous objets susceptibles de blesser. Un désordre sur le lieu de travail peut provoquer des accidents.
- ▶ Les étincelles chaudes véhiculées par les gaz d'échappement ainsi que les étincelles produites lors de la découpe peuvent être à l'origine d'incendies et/ou d'explosions. S'assurer que les étincelles générées ne peuvent pas allumer des substances inflammables (essence, herbe sèche, etc. ou explosives (gaz, etc.).
- ▶ Uniquement installer le réservoir d'eau rempli sur le chariot de guidage uniquement si la tronçonneuse est montée sur le chariot de guidage. Ceci permet d'éviter que le chariot de guidage ne tombe.
- ▶ Ne pas disposer le produit et le chariot de guidage sur une surface inclinée. Toujours veiller à la stabilité du produit et du chariot de guidage.
- ▶ Après le montage de la pompe à eau, s'assurer que les vis sont bien serrées avec le couple de serrage recommandé.
- ▶ Avant de monter la pompe à eau, s'assurer que la pression maximale autorisée de 87 psi n'est pas dépassée dans la conduite d'eau.

Liquides (essence et huile) et vapeurs

- ▶ Il y a un risque pour la santé en respirant les vapeurs d'essence et au contact avec l'essence.
 - ▶ Éviter le contact direct de l'essence avec la peau. Porter des gants de protection.
 - ▶ Si des vêtements sont souillés avec de l'essence, il faut impérativement en changer.
 - ▶ Veiller à une bonne ventilation du poste de travail, pour éviter de respirer les vapeurs d'essence.
 - ▶ Utiliser un récipient à carburant conforme aux prescriptions.
- ▶ Ne pas mettre d'essence dans le produit lorsque le moteur est en marche. Attendre jusqu'à ce que le moteur ait refroidi.
- ▶ Ne jamais fumer en faisant le plein d'essence, il y a un risque d'incendie et d'explosion.
- ▶ Ne pas ravitailler le produit à proximité de l'environnement de travail (il doit se trouver à 3 mètres/10 pieds du poste de travail). En faisant le plein, veiller à ne pas renverser de carburant. Utiliser un entonnoir approprié.
- ▶ Éviter de respirer les vapeurs d'essence et les gaz d'échappement. Veiller toujours à ce que la ventilation soit suffisante.
- ▶ Ne pas utiliser d'essence ni toute autre substance inflammable pour effectuer des opérations de nettoyage.

Consignes de sécurité pour les tronçonneuses à disque abrasif

- ▶ N'utiliser que des disques à tronçonner dont la vitesse de rotation admissible est au moins aussi élevée que la vitesse de rotation maximale de la broche.
- ▶ Veiller à ce que le diamètre extérieur et l'épaisseur du disque à tronçonner correspondent aux cotes du produit utilisé.
- ▶ Ne jamais utiliser de disques à tronçonner endommagés, ovalisés ou vibrants.
- ▶ Ne pas utiliser de disques diamant endommagés (fentes sur la lame principale, segments cassés ou émoussés, alésage de disque endommagé, lame principale tordue ou voilée, forte altération de la couleur par surchauffe, lame principale usée sous les segments diamantés, segments diamantés sans saillie latérale, etc.).
- ▶ Ne pas utiliser d'outil à tronçonner denté.
- ▶ Lors du montage du disque à tronçonner, il faut toujours veiller à ce que son sens de rotation corresponde bien au sens de rotation de la broche. Ne monter toujours d'un seul disque à tronçonner à la fois.
- ▶ Les disques à tronçonner et flasque autres accessoires doivent exactement s'adapter sur la broche du produit. Les disques à tronçonner ne s'adaptant pas exactement à la broche du produit, tournent de manière irrégulière, vibrent très fortement et peuvent entraîner la perte de contrôle et la cassure du disque à tronçonner.



- ▶ Toujours utiliser un flasque de serrage non endommagé et de diamètre correct adapté aux disques à tronçonner utilisés. Un flasque de serrage adapté soutient le disque à tronçonner et réduit la probabilité que le disque à tronçonner se casse.
- ▶ Guider régulièrement le produit et sans exercer de pression latérale sur le disque à tronçonner. Toujours approcher le disque à tronçonner perpendiculairement par rapport à la pièce travaillée. Lors du tronçonnage, ne pas modifier le sens de coupe en exerçant une pression latérale ou en pliant le disque à tronçonner.
- ▶ Les disques à tronçonner abrasifs, qui ont été utilisés pour le tronçonnage à l'eau, ne doivent plus être réutilisés le lendemain, étant donné que l'eau et l'humidité en altèrent la qualité.
- ▶ Ne pas monter de lames de scie pour le bois.
- ▶ N'utiliser que des disques à tronçonner correspondant aux normes existantes en matière de disques à tronçonner.
- ▶ Contrôler le disque à tronçonner avant de le monter et de l'utiliser à la recherche de dommages. Ne pas monter de disques à tronçonner endommagés. Observer les consignes du fabricant du disque à tronçonner.
- ▶ Observer la date de péremption sur les disques liés à la résine et veiller à ne pas dépasser cette date pour leur utilisation.

Contrecoup et indications de sécurité correspondantes

Le contrecoup est une réaction soudaine qui se produit lorsqu'un disque à meuler en rotation reste accroché ou se bloque. Dans le cas d'un blocage ou d'un accrochage, l'outil en rotation s'arrête brusquement. De ce fait, une tronçonneuse incontrôlée est accélérée, à l'endroit du blocage, dans le sens de rotation opposé à celui de l'outil amovible.

Si par ex. un disque à meuler reste accroché ou se bloque dans la pièce travaillée, l'arête du disque à meuler plongée dans la pièce peut rester accrochée et provoquer l'éclatement du disque à meuler ou un contrecoup. Le disque à meuler se déplace ensuite vers l'utilisateur ou s'éloigne de lui, selon le sens de rotation du disque à l'endroit du blocage. Ici aussi les disques à meuler risquent de se casser.

Un rebond est la conséquence d'une mauvaise utilisation ou d'une utilisation incorrecte de la tronçonneuse. Il peut être évité en prenant les mesures de précaution adaptées telles que décrites ci-dessous.

- ▶ Tenir la tronçonneuse bien fermement des deux mains et maintenir le corps et les bras dans une position permettant d'amortir la force de contrecoup. Toujours utiliser la poignée supplémentaire, si celle-ci est présente, afin d'avoir le meilleur contrôle possible sur les forces de contrecoup ou les couples antagonistes lors de l'accélération à pleine vitesse. L'utilisateur peut maîtriser les forces de contrecoup et antagonistes en prenant les précautions appropriées.
- ▶ Ne jamais approcher la main des outils amovibles rotatifs. En cas de contrecoup, l'outil amovible risque d'aller sur la main de l'utilisateur.
- ▶ Éviter la zone devant et derrière le disque à tronçonner rotatif. Le contrecoup entraîne la tronçonneuse dans le sens opposé au déplacement du disque à l'endroit du blocage.
- ▶ Travailler avec une extrême prudence dans les coins, arêtes vives, etc. Éviter que les outils amovibles rebondissent sur la pièce à travailler et se coincent. L'outil amovible rotatif a tendance à se coincer dans les coins, sur les arêtes vives ou lorsqu'il rebondit. Ceci entraîne une perte de contrôle ou un contrecoup.
- ▶ Ne pas utiliser de lames de scie à chaîne ou dentées, tout comme ne pas utiliser de disques diamants segmentés présentant des fentes supérieures à 10 mm. De tels outils amovibles entraînent souvent un contrecoup ou la perte de contrôle de la tronçonneuse.
- ▶ Éviter de bloquer le disque à tronçonner et de le soumettre à une pression trop forte. Ne pas effectuer de coupes de profondeur excessive. Une surcharge du disque à tronçonner augmente sa sollicitation et la probabilité de plage ou blocage, et par conséquent l'éventualité d'un contrecoup ou de cassure du disque.
- ▶ Si le disque à tronçonner se coince ou que le travail est interrompu, débrancher l'appareil et attendre tranquillement jusqu'à ce que le disque s'arrête. Ne jamais essayer de sortir le disque à tronçonner encore en rotation de la coupe, sans quoi un contrecoup risque de se produire. Déterminer et résoudre la cause du coincement.
- ▶ Ne jamais remettre la tronçonneuse en marche tant qu'elle se trouve dans la pièce à travailler. Attendre que le disque à tronçonner atteigne la pleine vitesse avant de poursuivre prudemment la coupe. Dans le cas contraire, le disque risque de s'accrocher, de sauter de la pièce ou d'entraîner un contrecoup.
- ▶ Soutenir les panneaux ou grandes pièces à travailler afin de réduire le risque d'un contrecoup causé par un disque à tronçonner coincé. De grandes pièces à travailler peuvent se courber sous leur propre poids. La pièce à travailler doit être soutenue des deux côtés du disque et ce, aussi bien à proximité de la coupe que sur l'arête.
- ▶ Procéder avec une extrême prudence en cas de "coupes en plongée" dans les murs existants ou autres zones imprévisibles. Le disque à tronçonner plongeant risque de sectionner des conduites d'eau ou de gaz, des câbles ou gaines électriques, ou d'autres objets, et de causer un contrecoup.

Transport et stockage

- ▶ Toujours arrêter le produit avant de le transporter.
- ▶ Enlever le disque à tronçonner du produit après utilisation. Le disque à tronçonner risque d'être endommagé si l'appareil est transporté avec le disque à tronçonner monté.
- ▶ Manier les disques à tronçonner avec prudence et garder les instructions du fabricant.
- ▶ Le produit doit toujours être debout et jamais posé sur le côté pour l'entreposage et le transport.
- ▶ Ne jamais porter le chariot de guidage et le produit ensemble. Enlever le réservoir d'eau avant de transporter le chariot de guidage.
- ▶ Le produit et le chariot de guidage ne doivent jamais être transportés à l'aide d'une grue.
- ▶ Conserver les produits non utilisés en toute sécurité. Tous les produits non utilisés doivent être rangés dans un endroit sec, en hauteur ou fermé à clé, hors de portée des enfants.
- ▶ Lorsque le produit est déposé, veiller à ce qu'il soit posé de manière sûre.
- ▶ Après son utilisation, laisser d'abord le produit refroidir avant de l'emballer ou de le recouvrir.
- ▶ Entreposer l'essence et l'huile dans des récipients prévus à cet effet, dans un local bien ventilé.



DANGER

Fuels used in gas or oil filled appliances and the product of combustion of such fuels contain chemicals (including Benzene, toluene, xylenes, 1,3 butadiene and formaldehyde) known to the State of California to cause cancer, birth defects or other reproductive harm. **Wash hands after handling!**

Informations sur les valeurs limites de CO₂ mesurées

Toujours entretenir et utiliser le moteur de la tronçonneuse conformément aux instructions d'utilisation et d'entretien de ce mode d'emploi. Cela garantit le respect d'émissions de gaz d'échappement dans les limites prescrites par la loi.

Le non-respect des instructions d'utilisation et d'entretien décrites dans le présent mode d'emploi peut compromettre la conformité du produit avec les réglementations applicables en matière d'émissions. Il en va de même en cas de manipulations ou détériorations du système d'alimentation en carburant (par exemple alimentation, régulation, préparation).

ATTENTION

Valeurs d'émissions de gaz d'échappement divergentes Toute manipulation du moteur et/ou du système d'alimentation en carburant annule le certificat d'émission UE.

- ▶ Des manipulations du moteur et/ou du système d'alimentation en carburant ne sont pas autorisées.

Les valeurs déterminées pour les émissions de CO₂ lors de l'homologation UE sont indiquées dans le chapitre Caractéristiques techniques

25.

Description
Tronçonneuse thermique 1

- | | | | |
|---|--|---|---|
| ① | Coude à eau avec buses à eau intégrées | ⑮ | Jauge du réservoir |
| ② | Carter de protection | ⑯ | Bouchon de réservoir à carburant |
| ③ | Alimentation en eau | ⑰ | Poignée d'accélération contrôlée |
| ④ | Valve de réglage du débit d'eau | ⑱ | Interrupteur marche/arrêt du moteur avec bouton d'admission réduite |
| ⑤ | Démarrreur à câble | ⑲ | Pompe de démarrage |
| ⑥ | Manette de commande des gaz | ⑳ | Raccord d'eau |
| ⑦ | Poignée arrière | ㉑ | Couvercle de filtre à air |
| ⑧ | Disque à tronçonner | ㉒ | Couvercle de pompe |
| ⑨ | Vis de serrage | ㉓ | Galets de guidage |
| ⑩ | Flasque de serrage | ㉔ | Orifice de blocage pour changement de disques à tronçonner |
| ⑪ | Bouchon de nettoyage à vis pour buse à eau | ㉕ | Bras de tronçonneuse |
| ⑫ | Cosse de bougie | ㉖ | Flèche indiquant le sens de rotation |
| ⑬ | Soupape de décompression | ㉗ | Outil de montage |
| ⑭ | Poignée avant | | |

Chariot de guidage (accessoire) 2

- | | | | |
|---|-----------------------------------|---|----------------------|
| ① | Poignée | ⑥ | Raccord d'eau |
| ② | Manette de commande des gaz | ⑦ | Réglage des axes |
| ③ | Réglage de la profondeur de coupe | ⑧ | Câble d'accélération |
| ④ | Dispositif de retenue | ⑨ | Support-machine |
| ⑤ | Réservoir d'eau | | |

Utilisation conforme à l'usage prévu

Le produit décrit est une tronçonneuse motorisée, destinée à tronçonner avec des disques diamantés ou abrasifs, à sec ou à l'eau, des matériaux de construction asphaltiques, minéraux ou métalliques. Elle peut être guidée à la main ou montée sur un chariot.

Recommandations d'utilisation

- Travailler de préférence avec de l'eau pour réduire la quantité des poussières dégagées par le tronçonnage. Avec la pompe à eau auto-aspirante (accessoire), il est possible de travailler indépendamment du réseau d'eau, en aspirant p. ex. directement à partir d'un récipient.
- Ne pas tronçonner la pièce travaillée en une seule passe, mais plutôt déplacer la tronçonneuse en exerçant plusieurs mouvements de va-et-vient et avancer progressivement jusqu'à la profondeur souhaitée.
- Lorsque le tronçonnage est réalisé à sec, sortir le disque à tronçonner de la coupe toutes les 30 à 60 secondes pendant environ 10 secondes en cours de fonctionnement du produit, pour éviter d'endommager le disque à tronçonner diamant.
- Lorsqu'un disque diamant s'est émoussé (le liant n'est plus hérissé d'angles diamantés), il peut retrouver son tranchant en travaillant une matière très abrasive comme du grès ou analogue.
- Pour des coupes fréquentes sur le sol, monter la tronçonneuse sur le chariot de guidage (accessoire).



Spécifications des disques à tronçonner

AVERTISSEMENT

Risque de blessures. L'utilisation de disques à tronçonner qui ne sont pas conformes à la norme ANSI peut augmenter le risque de blessures pour l'utilisateur.

- N'utiliser aucun disque à tronçonner non conforme à la norme ANSI en vigueur pour les disques à tronçonner.

Pour ce produit, il convient d'utiliser des disques à tronçonner diamantés conformes aux recommandations de la norme ANSI B7.1. Pour ce produit, il est également possible d'utiliser des disques à tronçonner renforcés aux fibres et liés à la résine conformes aux recommandations de la norme ANSI B7.1 (droits et non coudés, de type cutting-off wheel) pour travailler sur des matériaux métalliques.

Respecter également les instructions d'utilisation et de montage du fabricant de disques à tronçonner.

Éléments livrés

Tronçonneuse à essence, mode d'emploi.

D'autres produits système pour votre produit peuvent être trouvés dans votre **Hilti Store** ou à l'adresse : www.hilti.group

Consommables et pièces d'usure

- Filtre à air
- Câble
- Démarreur
- Filtre à essence
- Bougie d'allumage
- Jeu d'outils
- Jeu de cylindres
- Vis de fixation (jeu complet)
- Flasque (2 pièces)
- Douille de centrage 20 mm/1"

Caractéristiques techniques

Propriétés du produit

	DSH 700-X 14"	DSH 900-X 16"
Génération de produit	04	04
Poids sans disque à tronçonner, réservoir vide	12,1 kg (26,7 lb)	12,4 kg (27,3 lb)
Poids avec chariot de guidage, sans disque à tronçonner, réservoir vide	43,1 kg (95,0 lb)	43,4 kg (95,7 lb)
Vitesse maximale de l'arbre	5.100 tr/min (85,0 Hz)	4.700 tr/min (78,3 Hz)
Vitesse maximale des disques à tronçonner	5.100 tr/min (85,0 Hz)	4.700 tr/min (78,3 Hz)
Profondeur de coupe maximale	125 mm (4,9 in)	150 mm (5,9 in)
Type de moteur	Moteur à deux temps/ mono-cylindre/ refroidi à l'air	Moteur à deux temps/ mono-cylindre/ refroidi à l'air
Cylindrée	87 cm ³ (5,3 in ³)	87 cm ³ (5,3 in ³)
Puissance nominale (ISO 7293)	4,2 kW (5,6 hp)	4,2 kW (5,6 hp)
Vitesse de rotation nominale du moteur (ISO 7293)	8000 ± 200 tr/min	8000 ± 200 tr/min
Vitesse de rotation à vide	2750 ± 250 tr/min	2750 ± 250 tr/min
Allumage (type)	Moment d'allumage à contrôle électro- nique	Moment d'allumage à contrôle électro- nique
Écartement des électrodes	0,7 mm (0,03 in)	0,7 mm (0,03 in)
Bougie d'allumage	Fabricant : NGK, Type : CMR7A	Fabricant : NGK, Type : CMR7A
Couple de serrage de la bougie d'allumage	12 Nm (9 ftlb)	12 Nm (9 ftlb)
Carburateur	Fabricant : Walbro ; Modèle : WT ; Type : 1152	Fabricant : Walbro ; Modèle : WT ; Type : 1152
Mélange de carburants	Huile API-TC 2 % (1:50)	Huile API-TC 2 % (1:50)
Volume du réservoir	30,4 oz (900 cm ³)	30,4 oz (900 cm ³)



	DSH 700-X 14"	DSH 900-X 16"
Trou central du disque à tronçonner/diamètre du support de centrage de la douille de centrage (rotative)	20 mm ou 25,4 mm (0,8 in ou 1,00 in)	20 mm ou 25,4 mm (0,8 in ou 1,00 in)
Diamètre min. extérieur du flasque	102 mm (4,0 in)	102 mm (4,0 in)
Épaisseur de disque maximale (épaisseur de la lame)	5,5 mm (0,22 in)	5,5 mm (0,22 in)
Diamètre extérieur maximal de disque	350 mm (13,8 in)	400 mm (15,7 in)
Couple de serrage du disque à tronçonner	25 Nm (18 ftlb _f)	25 Nm (18 ftlb _f)

Valeurs d'émissions des gaz d'échappement

Les valeurs obtenues ont été déterminées en laboratoire et résultent de l'essai d'un moteur représentatif du type de moteur sur un cycle d'essai fixe.

Valeurs d'émissions de CO₂ en [g/kWh]	840,1
---	-------

Préparatifs

Carburant

Le moteur à deux temps fonctionne avec un mélange d'essence et d'huile. La qualité du mélange de carburant influence considérablement sur le fonctionnement et la durée de vie du moteur.

AVERTISSEMENT

Risque de blessures. Il y a un risque pour la santé en respirant les vapeurs d'essence et au contact avec l'essence.

- ▶ Éviter le contact direct de l'essence avec la peau. Porter des gants de protection.
- ▶ Si des vêtements sont souillés avec de l'essence, il faut impérativement en changer.
- ▶ Veiller à une bonne ventilation du poste de travail, pour éviter de respirer les vapeurs d'essence.
- ▶ Utiliser un récipient à carburant conforme aux prescriptions.

Critères de sélection pour le carburant

- ▶ Utiliser de l'essence normale ou super avec un indice d'octane d'au moins 89 ROZ.

La teneur en alcool (par ex. éthanol, méthanol et autres) du carburant utilisé ne doit pas dépasser 10 %, sans quoi il y a un risque de raccourcir considérablement la durée de vie du moteur.

Huile pour moteur à deux temps

- ▶ Utiliser une huile deux temps de qualité pour moteurs refroidis à l'air satisfaisant au moins à la spécification API-TC.

Mélange du carburant

Toujours veiller à ce que la spécification de l'huile deux temps soit adaptée et toujours utiliser un mélange carburant/huile deux temps dans des proportions optimales. Cela permet d'éviter une usure excessive et des dommages au moteur.

Le rapport de mélange optimal est de **1:50**. Cela correspond à 1 volume d'huile deux temps avec la spécification API-TC et 50 volumes d'essence (par exemple, 100 ml d'huile deux temps et 5 litres d'essence dans un bidon).

Si la qualité de l'huile deux temps ou de l'essence est inconnue, augmenter le rapport de mélange à **1:25**.

1. Verser d'abord la quantité d'huile pour moteurs à deux temps requise dans le réservoir à carburant.
2. Verser ensuite l'essence dans le réservoir à carburant.
3. Fermer le réservoir à carburant.
4. Mélanger le carburant en secouant le réservoir à carburant.

Faire le plein de carburant

1. Si l'équipement suivant existe, procéder de plus à cette action :
 - ▶ Réaliser le mélange carburant/huile deux temps. 25
2. Déposer le produit debout dans une position stable.
3. Ouvrir le réservoir à carburant en tournant le couvercle dans le sens contraire des aiguilles d'une montre puis l'enlever.
4. Adapter un entonnoir sur l'orifice et verser lentement le carburant dans le réservoir.
5. Fermer le réservoir à carburant en mettant le couvercle en place et en le tournant dans le sens des aiguilles d'une montre.
6. Fermer le réservoir à carburant.



Travaux de montage et de réglage

AVERTISSEMENT

Risque de blessures. Il y a un risque de se blesser en touchant le disque à tronçonner en rotation. Il y a un risque de se brûler au contact avec des composants de la machine ou du disque à tronçonner très chauds.

- ▶ Avant d'effectuer des montages ou des changements sur le produit, le moteur à l'arrêt, s'assurer que le disque à tronçonner est complètement à l'arrêt et que le produit est refroidi.
- ▶ Porter des gants de protection.

Montage du disque à tronçonner

AVERTISSEMENT

Risque de blessures et d'endommagement. En cours de fonctionnement, les disques à tronçonner incompatibles ou le matériel de fixation peuvent être détruits ou provoquer une perte de contrôle du produit, voire même à la cassure de l'outil amovible.

- ▶ Veiller à ce que la vitesse de rotation admissible du disque à tronçonner soit au moins aussi élevée que la vitesse de rotation maximale de la broche indiquée sur le produit. Les disques à tronçonner, flasques et vis doivent correspondre au produit.
- ▶ N'utiliser que des disques à tronçonner dont le trou central présente un diamètre de 20 mm ou 25,4 mm (1") et s'adaptant à la douille de centrage.

AVERTISSEMENT

Risque de blessures et d'endommagement. Les disques à tronçonner endommagés risquent de se casser.

- ▶ Sitôt qu'un disque à tronçonner a reçu un coup, vérifier que le disque à tronçonner n'est pas endommagé et le remplacer le cas échéant.
- ▶ Ne jamais utiliser de disques à tronçonner endommagés, ovalisés ou vibrants.

AVERTISSEMENT

Risque de blessures et d'endommagement. Des vis de fixation trop serrées peuvent endommager ou casser la vis de fixation elle-même ou la rondelle montée sur la vis de fixation.

- ▶ Toujours serrer la vis de fixation au couple indiqué.
- ▶ Veiller à ne pas trop serrer la vis de fixation.

AVERTISSEMENT

Risque de blessures ! Si le disque à tronçonner n'est pas monté ou démonté correctement, des pièces détachées peuvent être projetées dans les yeux et provoquer des blessures.

- ▶ Toujours porter des lunettes de protection lors du changement de l'outil amovible.

1. Introduire la cheville d'arrêt dans l'orifice du carter de la courroie de transmission et tourner le disque jusqu'à ce que la cheville d'arrêt s'enclenche.
2. Desserrer la vis de fixation à l'aide de la clé dans le sens inverse des aiguilles d'une montre et enlever la vis de fixation avec le disque.
3. Retirer la cheville d'arrêt.
4. Enlever le flasque de serrage et le disque à tronçonner.
5. Vérifier que l'orifice du disque à monter coïncide avec le support de centrage du flasque support de disque.



Le flasque est doté sur une face d'un support de centrage d'un diamètre de 20 mm et sur l'autre face d'un support de centrage d'un diamètre de 25,4 mm (1").

6. Nettoyer les surfaces de serrage et de centrage sur le produit ainsi que sur le disque à tronçonner.
7. Placer le disque à tronçonner avec la nervure de centrage sur l'axe d'entraînement et vérifier que le sens de rotation est correct.
 - ▶ La flèche indiquant le sens de rotation sur le disque à tronçonner doit correspondre au sens de rotation indiqué sur le produit.
8. Placer le flasque de serrage et le disque sur l'axe d'entraînement et serrer à fond la vis de fixation dans le sens des aiguilles d'une montre.
9. Introduire la cheville d'arrêt dans l'orifice de blocage de la courroie de transmission et tourner le disque jusqu'à ce que la cheville d'arrêt s'enclenche.
10. Serrer la vis de fixation (couple de serrage : 25 Nm).
11. Retirer la cheville d'arrêt.

ATTENTION

Risque de blessures et d'endommagement. Les outils amovibles peuvent se casser.

- ▶ Ne jamais utiliser d'outils amovibles endommagés, voilés ou vibrants.
- ▶ Se tenir en dehors de la zone dangereuse.

12. Après avoir monté un nouveau disque à tronçonner, il faut faire tourner le produit à sa vitesse maximale et sans rien découper pendant 1 minute environ.

Mise en place du carter de protection

AVERTISSEMENT

Risque de blessures. Tout contact avec le disque à tronçonner, des particules volantes ou des étincelles peut blesser des personnes.

- ▶ Ajuster le carter de protection de sorte que le sens de projection des particules et étincelles entraînées par l'action abrasive du disque s'éloigne de l'opérateur et du produit.



- ▶ Tourner le carter de protection dans la position souhaitée.
- ▶ Veiller à ce que l'orifice du protège-lame ne pointe pas en direction de l'utilisateur.



Le coude à eau ne doit pas être utilisé en tant que poignée.

Passage de la coupe normale à la coupe à fleur



S'il est nécessaire de réaliser des coupes très rapprochées sur un mur ou près d'un angle, la partie avant du bras de sciage peut être tournée.

- ▶ Pour utiliser le produit dans la position coupe à fleur, faire transformer le produit par le S.A.V. Hilti.

Blocage du mouvement de rotation des roulettes de guidage 4




AVERTISSEMENT

Risque de blessures. La tronçonneuse peut se mettre involontairement en mouvement ou tomber.

- ▶ En cas d'intervention sur des toits, des échafaudages et/ou sur des surfaces en pente, toujours bloquer le mouvement de rotation des galets de guidage.

1. Desserrer les vis de fixation des roulettes de guidage et enlever les roulettes.
2. Tourner les roulettes de 180° et remettre en place les vis de fixation.
 - ▶ La fonction de blocage intégrée est activée.
3. Vérifier que les roulettes de guidage sont bien fixées.

Montage de la tronçonneuse à essence sur le chariot de guidage (accessoire) 5

1. Enlever le réservoir d'eau du chariot de guidage.
2. Amener le levier de réglage de la profondeur de coupe dans la position supérieure.
3. Desserrer le dispositif de retenue en desserrant la molette.
4. Ajuster la tronçonneuse avec les roues comme illustré dans le support avant prévu pour l'appareil et basculer la poignée de la tronçonneuse sous le dispositif de retenue.
5. Fixer la tronçonneuse en tournant la molette.
6. Installer le réservoir d'eau rempli.
7. Placer la poignée à une hauteur commode pour le travail.
8. Mettre le carter de protection bien en place.  26



Lors de la première mise en marche, vérifier le réglage correct du câble d'accélération. Lorsque le levier d'accélération est enfoncé, le produit doit atteindre son régime maximal. Si ce n'est pas le cas, il suffit d'ajuster la tension en tournant les tendeurs du câble d'accélération.

Si le câble d'accélération n'est pas actionné, la disque à tronçonner doit s'arrêter en marche à vide. Si ce n'est pas le cas, mettre immédiatement l'interrupteur Marche / Arrêt en position "Arrêt", vérifier le réglage du câble d'accélération ou faire régler la vitesse de rotation à vide par le S.A.V. Hilti.

Montage de la pompe à eau (accessoire) 6

1. Mettre le produit sur arrêt.
2. Desserrer les trois vis de fixation du couvercle de pompe, les enlever et les garder avec le couvercle de pompe.



Si le produit est utilisé sans pompe à eau, le couvercle de pompe doit être monté.

3. Mettre en place la pompe à eau et orienter en tournant légèrement le disque à tronçonner, les engrenages de la pompe à eau et la cloche de couplage afin que les dents soient en prise.
 - ▶ La position est codée de sorte à éviter tout montage erroné.
4. Monter les trois vis de fixation et les serrer avec le couple de serrage indiqué (coupe de serrage : 8 Nm).
5. Raccorder le flexible de la pompe au raccord de la tronçonneuse.
6. Enlever la protection anti-poussière de l'extrémité du tuyau de raccordement d'eau.
7. S'assurer que la pression d'eau dans la conduite d'eau ne dépasse pas 6 bar.
 - ▶ Si la conduite d'eau fait plus de 6 bar, réduire la pression d'eau.
8. Raccorder la pompe à eau à la conduite d'eau ou suspendre le flexible d'aspiration p. ex. dans un récipient avec de l'eau.



Si la pompe à eau n'est pas raccordée à une arrivée d'eau, monter la protection anti-poussière sur l'extrémité du tuyau de raccordement d'eau.

Démontage de la pompe à eau (accessoire)

1. Mettre le produit sur arrêt.
2. Débrancher l'alimentation en eau de la pompe à eau.
3. Mettre la protection anti-poussière en place sur l'extrémité du tuyau de raccordement d'eau.
4. Débrancher le raccordement entre la pompe et le produit.
5. Desserrer les trois vis de fixation sur la pompe et démonter la pompe.
6. Replacer le couvercle de pompe sur le produit, monter les trois vis de fixation et les serrer à fond (couple de serrage : 4 Nm).



Démarrage du moteur 7

DANGER

Risque d'étouffement. Le monoxyde de carbone, les hydrocarbures imbrûlés et le benzène dans les gaz d'échappement peuvent provoquer une asphyxie.

- ▶ Ne jamais travailler dans des locaux, tranchées ou excavations fermés et veiller à une bonne ventilation.

AVERTISSEMENT

Risque de blessures dues à un comportement inattendu du produit ! Prêter attention à tout comportement atypique du produit. En cas d'observation de l'un des phénomènes suivants avant la mise en service ou pendant le service, interrompre immédiatement tous les travaux et arrêter le produit, par ex. en poussant le commutateur Marche/Arrêt en position **Stop**, en appuyant sur le bouton de la pompe (pompe de démarreur) ou en tirant sur le connecteur de bougie d'allumage. Contacter le S.A.V. **Hilti**.

- ▶ Modification ou augmentation de la vitesse de rotation ou accélération involontaire du moteur ou du disque à tronçonner.
- ▶ Le variateur de vitesse, la manette de commande des gaz ou d'autres éléments de commande sont bloqués, réagissent avec retard ou reviennent très lentement en position initiale.
- ▶ Le disque à tronçonner freine beaucoup plus lentement que prévu ou ne freine pas du tout.

AVERTISSEMENT

Risque de brûlures. Lorsque le moteur tourne, le système d'échappement devient extrêmement chaud. Même après l'arrêt du moteur, il reste encore longtemps chaud.

- ▶ Porter des gants de protection et éviter de toucher l'échappement.
- ▶ Ne jamais déposer le produit brûlant sur un matériau inflammable.

AVERTISSEMENT

Risque de blessures. Un échappement endommagé augmente le volume sonore au-delà de la limite admissible et augmente le risque de souffrir de troubles auditifs.

- ▶ Ne jamais utiliser le produit si l'échappement est endommagé et/ou s'il a été modifié ou s'il est manquant.

AVERTISSEMENT

Risque de blessure en cas d'utilisation sans cache monté de la pompe à eau Tout contact avec le raccord de la pompe à eau en cours de fonctionnement entraîne des blessures.

- ▶ Avant de commencer à travailler, s'assurer que le cache de la pompe à eau est correctement monté.

AVERTISSEMENT

Risque de blessures dues à des substances et des gaz inflammables. Des brûlures et la mort peuvent en résulter.

- ▶ Ne pas utiliser le produit en présence de substances et de gaz inflammables.
- ▶ Veiller à une bonne ventilation.

ATTENTION

Risque de blessures entraînées par coincement des doigts ou risque de brûlures si la pompe à eau est montée. Ne pas toucher le carter de pompe pour écarter tout risque de brûlures.

- ▶ Saisir la poignée avant uniquement sur le bord supérieur et le côté gauche.

- Appuyer une fois sur la soupape de décompression.
- Uniquement pour le démarrage à froid, actionner 2 à 3 fois la pompe de démarreur jusqu'à ce que le bouton de pompe soit complètement rempli de carburant.
- Appuyer sur la poignée d'accélération contrôlée et la maintenir enfoncée.
- Appuyer sur le levier d'accélération contrôlée et le maintenir enfoncé.
- Pousser l'interrupteur Marche / Arrêt sur la position "Marche".
- Relâcher la main de la poignée d'accélération contrôlée et du levier d'accélération.
 - ▶ La position d'admission réduite est activée.
- Vérifier que le disque à tronçonner tourne librement et sans entrave.
- Placer le pied droit dans la partie inférieure de la poignée arrière.
- De la main droite, tirer lentement le démarreur à câble jusqu'à ce qu'il résiste.
- Tirer ensuite sur le démarreur à câble avec force.
- Répéter cette opération jusqu'à ce que le moteur démarre.
- Dès que le moteur tourne, appuyer brièvement sur le levier d'accélération.
 - ▶ Ceci désactive l'admission réduite et le moteur tourne à vide.

Contrôles après démarrage du moteur

- Vérifier si le disque à tronçonner reste immobile en marche à vide et si, après quelques instants de plein gaz, le disque à tronçonner s'immobilise complètement en marche à vide.
 - ▶ Si le disque à tronçonner tourne en marche à vide, réduire la vitesse de rotation à vide. Si ce n'est pas possible, confier le produit au S.A.V. **Hilti**.
- Contrôler le bon fonctionnement de l'interrupteur Marche / Arrêt. Mettre l'interrupteur Marche / Arrêt en position "Arrêt".
- Si le moteur ne s'éteint pas, appuyer sur le bouton de pompe (pompe de démarreur). Si cela n'aide pas, retirer la cosse de bougie d'allumage et confier le produit au S.A.V. **Hilti**.



Arrêt du moteur**AVERTISSEMENT**

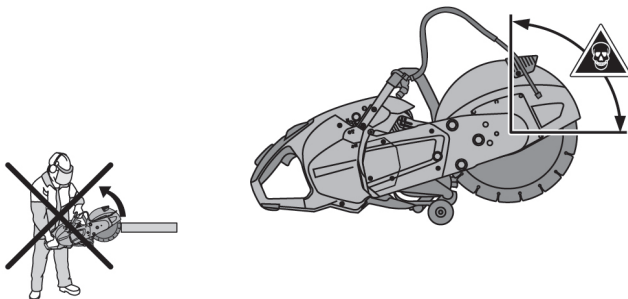
Risque de blessures. Un disque à tronçonner en rotation peut rompre et/ou projeter violemment et de manière incontrôlée du matériel.

► Attendre que le disque à tronçonner soit complètement immobile avant de déposer la tronçonneuse.

1. Relâcher la manette de commande des gaz.
2. Mettre l'interrupteur Marche / Arrêt en position "Arrêt".
 - Le moteur s'arrête.

Utilisation**Technique de tronçonnage****Évitement des rebonds**

En cas de pénétration de la tronçonneuse dans la zone spécifiée, il y a un risque de contrecoup.

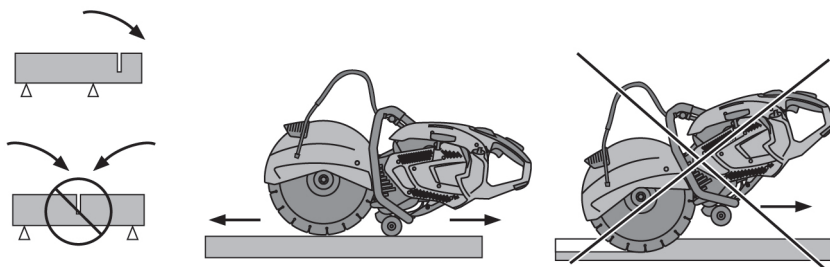


- Éviter toute pénétration du disque à tronçonner dans le support au niveau de la zone spécifiée.
- Pour travailler sur une pièce, toujours approcher le disque à tronçonner du haut vers le bas. Le contact du disque avec la pièce travaillée ne doit se faire qu'en un seul point sous l'axe de rotation.
- Faire extrêmement attention en glissant le disque dans un trait de coupe existant.

Évitement de tout blocage

Lors de coupes en direction du sol, en cas de disque à tronçonner coincé, le produit peut sauter de manière incontrôlée vers l'avant.

En cas de coupes verticales, p. ex. dans un mur, le produit peut sauter de manière incontrôlée vers le haut en cas de disque à tronçonner coincé.

**ATTENTION**

Risque de rupture ou danger engendré par contrecoup. En cas de surcharge du disque à tronçonner, il y a tendance au voilage. Le coincement du disque à tronçonner lors de la coupe augmente la probabilité de contrecoup ou de rupture du disque à tronçonner.

- Veiller à ce que le disque à tronçonner ne se coince pas et éviter d'exercer une pression excessive lors de la coupe.
- Ne pas essayer d'atteindre d'emblée une profondeur de coupe excessive.
- Dans la mesure du possible, tronçonner les pièces travaillées épaisses en plusieurs coupes. Éviter des profondeurs de découpe trop importantes.
- Avant d'entailler, amener la tronçonneuse à plein régime.
- Mettre le disque à tronçonner en contact avec la pièce à travailler à angle droit et en dessous de l'axe de rotation.



- ▶ Introduire lentement le disque à tronçonner dans la pièce à travailler en effectuant un mouvement de va-et-vient et sans exercer de pression excessive.
- ▶ Avancer modérément l'outil, de manière adaptée au matériau à travailler.

Une baisse des performances de travail peut provenir de l'usure des segments diamantés. Ceux-ci peuvent à nouveau être affûtés en opérant des coupes dans un matériel abrasif (surface d'affûtage Hilti ou un grès argilo-calcaire abrasif).

- ▶ Guider la tronçonneuse de manière uniforme et sans exercer de pression latérale sur le disque à tronçonner.
- ▶ Toujours tenir la tronçonneuse des deux mains par les poignées prévues à cet effet. Veiller à ce que les poignées soient toujours sèches, propres et exemptes de traces de graisse et d'huile.
- ▶ S'assurer qu'aucune personne ne se tient dans l'espace de travail et en particulier dans la zone qui constitue le prolongement du trait de coupe. Veiller à ce que toute tierce personne se tienne à une distance d'au moins 15 m environ de l'espace de travail.

Mettre la pièce à travailler en place



- ▶ Caler les plaques ou les grandes pièces à travailler de sorte que l'entaille produite reste ouverte pendant et après l'opération de tronçonnage.

Nettoyage et entretien

AVERTISSEMENT

Risque de blessures. Risque de blessures et de brûlures au contact avec le disque à tronçonner en rotation ou de composants de la machine très chauds.

- ▶ Toujours arrêter le moteur avant toute opération de maintenance, réparation, nettoyage ou entretien et attendre que le produit ait refroidi.

Tableau d'entretien

	Avant de commencer le travail	Deux fois par an	Si besoin
Vérifier que l'appareil est en parfait état, qu'il est complet et qu'il ne présente pas de fuite, réparer si nécessaire.	✓		
Vérifier l'absence de salissures, les nettoyer au besoin.	✓		
Contrôler le bon fonctionnement des éléments de commande, réparer si nécessaire.	✓		
Vérifier que les disques à tronçonner sont en parfait état, remplacer au besoin.	✓		
Resserrer les écrous et vis accessibles de l'extérieur.	✓	✓	✓
Vérifier que le filtre carburant n'est pas encrassé et remplacer au besoin.		✓	✓
Remplacer le filtre à air, si le produit ne se met pas en marche ou que la puissance du moteur diminue de manière sensible.			✓
Nettoyer les bougies d'allumage ou les remplacer, si le produit ne se met pas en marche ou démarre seulement difficilement.			✓
Réajuster la vitesse de rotation à vide, si le disque à tronçonner ne s'immobilise pas en marche à vide.			✓
Si la courroie dérape lors de la mise en charge du disque à tronçonner, faire réparer le produit par le S.A.V. Hilti.			✓

Nettoyage ou remplacement du filtre à air

ATTENTION

Risque d'endommagement. Toute infiltration de poussière risque d'endommager le produit.

- ▶ Ne jamais travailler avec un filtre à air endommagé.
- ▶ Lors du remplacement du filtre à air, le produit doit être debout et ne pas reposer sur le côté. Veiller à ce qu'aucune poussière ne parvienne sur l'élément filtrant se trouvant sous le filtre à air.

Remplacer le filtre à air en cas de nette diminution de la puissance du moteur et un comportement plus difficile au démarrage.

1. Desserrer les vis de fixation du couvercle du filtre à air et enlever celui-ci.
2. Dégager soigneusement le filtre à air de toute poussière adhérente et enlever la poussière de la chambre de filtration (à l'aide d'un aspirateur).
3. Desserrer les quatre vis de fixation du support de filtre et retirer le filtre à air.
4. Mettre en place un nouveau filtre à air et le fixer avec le support de filtre.



5. Replacer le couvercle du filtre à air et resserrer les vis de fixation.

Remplacement du câble de démarrage sectionné 9

ATTENTION

Risque d'endommagement. Un câble de démarrage trop court risque d'endommager le carter.

► Ne jamais poursuivre l'utilisation avec un câble de démarrage déchiré et le remplacer aussitôt.


1. Desserrer les trois vis de fixation et enlever le bloc démarreur.
2. Sur la bobine d'enroulement de câble et la poignée de démarrage, enlever les restes de câble.
3. Faire un nœud serré à l'extrémité du nouveau câble de démarrage et introduire l'extrémité libre du câble par le haut dans la bobine d'enroulement.
4. Introduire l'extrémité libre du câble par le bas dans l'orifice du boîtier de démarrage puis dans la base de la poignée de démarrage et faire un nœud bien serré également à l'extrémité du câble.
5. Comme le montre la figure, sortir le câble de démarrage du boîtier et l'introduire dans la fente de la bobine d'enroulement de câble.
6. Bien tenir l'extrémité du câble au-dessus de la fente de la bobine et faire tourner la bobine sur elle-même dans le sens des aiguilles d'une montre jusqu'en butée.
7. Tourner la bobine d'enroulement à partir du point de butée d'au moins ½ à 1 ½ tour maximum en arrière jusqu'à ce que la fente de la bobine coïncide avec l'orifice dans le boîtier de démarrage.
8. Tenir fermement la bobine d'enroulement et tirer l'extrémité libre du câble en direction de la poignée de démarrage pour réduire sa longueur dans le boîtier.
9. Tendre le câble et lâcher la bobine afin que le câble de démarrage puisse s'enrouler tout seul.
10. Tirer sur le câble de démarrage jusqu'en butée pour qu'il sorte et vérifier à l'aide de la main que la bobine peut encore exécuter au moins une ½ rotation dans le sens des aiguilles d'une montre. Si tel n'est pas le cas, il convient d'appliquer un peu moins de tension au ressort en tournant d'un tour dans le sens inverse des aiguilles d'une montre.
11. Mettre le bloc démarreur en appliquant prudemment une légère pression vers le bas. En tirant sur le câble de démarrage, l'embrayage s'enclenche et le bloc démarreur se met en place complètement.
12. Fixer le bloc démarreur avec les trois vis de fixation.

Remplacement du filtre carburant 10

AVERTISSEMENT

Risque de blessures. Il y a un risque pour la santé en respirant les vapeurs d'essence et au contact avec l'essence.

- Éviter le contact direct de l'essence avec la peau. Porter des gants de protection.
- Si des vêtements sont souillés avec de l'essence, il faut impérativement en changer.
- Veiller à une bonne ventilation du poste de travail, pour éviter de respirer les vapeurs d'essence.
- Utiliser un récipient à carburant conforme aux prescriptions.

 En faisant le plein de carburant, veiller à ce qu'aucune saleté n'entre dans le réservoir à carburant.

1. Ouvrir le réservoir à carburant.
2. Retirer le filtre carburant du réservoir à carburant.
3. Contrôler le filtre carburant.
 - Remplacer le filtre carburant s'il est trop souillé.
4. Pousser la pince sur le flexible en arrière et retirer le filtre carburant encrassé.
5. Mettre en place un nouveau filtre carburant et le fixer avec la pince sur le flexible.
6. Réintroduire le filtre dans le réservoir.
7. Fermer le réservoir à carburant.

Nettoyage de la bougie d'allumage, réglage de l'écartement des électrodes ou remplacement de la bougie d'allumage 11

ATTENTION

Risque de blessures. Immédiatement après avoir utilisé le produit, la bougie d'allumage et les pièces du moteur peuvent être très chaudes.

► Laisser le produit refroidir avant de procéder à des travaux d'entretien et de maintenance.

1. Retirer la cosse de bougie en exerçant un léger mouvement de rotation.
2. Utiliser la clé à bougie pour dévisser la bougie hors du cylindre.
3. Si nécessaire, nettoyer l'électrode à l'aide d'une brosse métallique à poils souples.
4. Contrôler l'écart entre les électrodes et, si nécessaire, le régler à l'aide d'une jauge d'épaisseur sur la distance requise de 0,7 mm.
5. Enficher la bougie dans la cosse et tenir le filetage de la bougie contre le cylindre.
6. Pousser l'interrupteur Marche / Arrêt sur la position "Marche".

AVERTISSEMENT

Risque de blessures. Il y a un risque de choc électrique au contact des électrodes.

- Ne pas toucher les contacts de l'électrode de la bougie d'allumage.
7. Tirer sur le démarreur à câble (appuyer sur la soupape de décompression).
 - Une étincelle d'allumage doit alors être nettement visible.
 8. Utiliser une clé à bougie pour visser la bougie dans le cylindre (couple de serrage : 12 Nm).



9. Coiffer la bougie d'allumage de sa cosse.

Réglage du carburateur

Le carburateur de ce produit a été réglé de manière optimale avant sa livraison. Sur ce carburateur, la vitesse à vide (gicleur T) peut être réglée par l'utilisateur. Tous les autres travaux de réglage doivent être effectués par le S.A.V. **Hilti**.



Toute manipulation incorrecte du dispositif de réglage du carburateur risque d'endommager le moteur.

- ▶ Nettoyer le filtre à air. 30
- ▶ Amener le produit à la température de service.
- ▶ Utiliser un tournevis à fente approprié (taille 4 mm/ 5/32") et tourner la vis de réglage en douceur sur la plage de réglage admissible.
- ▶ Régler le gicleur de ralenti (T) de sorte que le produit tourne régulièrement à vide et que le disque à tronçonner soit complètement à l'arrêt.

Entretien de l'appareil



Pour une utilisation en toute sécurité, utiliser uniquement des pièces de rechange et consommables d'origine. Vous trouverez les pièces de rechange, consommables et accessoires autorisés par **Hilti** convenant pour votre produit dans le centre **Hilti Store** ou sous : www.hilti.group

- ▶ Tenir le produit, en particulier les surfaces de préhension, sec, propre et exempt d'huile et de graisse.
- ▶ Ne pas utiliser de nettoyeurs à base de silicone.
- ▶ Nettoyer régulièrement l'extérieur de l'appareil avec un chiffon légèrement humide ou avec une brosse sèche. Pour le nettoyage, ne pas utiliser d'appareil diffuseur, d'appareil à jet de vapeur ou d'eau courante.
- ▶ Éviter toute pénétration de corps étrangers à l'intérieur du produit.

Entretien

1. Vérifier régulièrement toutes les pièces extérieures du produit et des accessoires pour voir si elles ne sont pas abîmées et s'assurer que tous les organes de commande fonctionnent correctement.
2. Ne pas utiliser le produit si des pièces sont abîmées ou si des organes de commande ne fonctionnent pas parfaitement. Faire réparer le produit par le S.A.V. **Hilti**.

Contrôle après des travaux de nettoyage et d'entretien

- ▶ Après des travaux de nettoyage et d'entretien, vérifier si tous les équipements de protection sont bien en place et fonctionnent parfaitement.

Nettoyage des buses à eau

1. Desserrer le bouchon de nettoyage à vis sur le coude à eau.
2. Nettoyer les buses à eau avec un fil.
3. Mettre en place le bouchon de nettoyage à vis.

Transport et stockage

Transport dans un véhicule



AVERTISSEMENT

Danger d'incendie et d'explosion. Si le produit bascule lors du transport, du carburant risque de s'écouler du réservoir.

- ▶ Vider le réservoir à carburant du produit avant de l'emballer et de l'envoyer par service de messagerie express.
- ▶ Transporter le produit dans la mesure du possible dans son emballage d'origine.



AVERTISSEMENT

Risque d'incendie. Les composants de la machine très chauds risquent d'enflammer le matériel environnant.

- ▶ Laisser le produit complètement refroidir avant de l'emballer ou de le charger dans un véhicule.

1. Démontez le disque à tronçonner.
2. Immobiliser fermement le produit pour empêcher son basculement, son endommagement ou encore une fuite de carburant.
3. Avant de transporter le chariot de guidage, vérifier impérativement que le réservoir d'eau est vide.

Entreposage du mélange de carburant



ATTENTION

Risque de blessures. La pression pouvant augmenter spontanément dans le récipient de carburant, il y a un risque de projection de carburant à l'ouverture du récipient.

- ▶ Pour évacuer lentement la pression, toujours ouvrir la fermeture du réservoir de carburant avec précaution.
- ▶ Entreposer le carburant dans un local sec et bien ventilé.

1. Pour le mélange de carburant, préparer seulement une quantité correspondant à quelques jours de consommation.
2. Nettoyer de temps à autre le récipient de carburant.

Aide au dépannage

Défaillance	Causes possibles	Solution
Le disque à tronçonner ralentit lors de la coupe ou reste bloqué.	Pression de coupe trop élevée (disque à tronçonner coince dans la coupe) ou la pression est exercée par le côté sur le disque à tronçonner.	▶ Réduire la pression de coupe et guider le produit droit.



Défaillance	Causes possibles	Solution
Le disque à tronçonner ralentit lors de la coupe ou reste bloqué.	Le disque est incorrectement monté ou non serré à fond.	▶ Vérifier son montage et le couple de serrage.
	Sens de rotation erroné.	▶ Monter le disque à tronçonner. 26
	Partie avant du bras de sciage non fixée.	▶ Faire réparer le produit par le S.A.V. Hilti.
Fortes vibrations, coupe déviée.	Le disque est incorrectement monté ou non serré à fond.	▶ Vérifier son montage et le couple de serrage.
	Disque endommagé (non conforme aux spécifications, fissures, segments manquants, disque voilé, surchauffé, déformé, etc.).	▶ Remplacer le disque à tronçonner.
	Support de centrage mal monté.	▶ Vérifier si la taille du trou central du disque à tronçonner coïncide avec l'embout de centrage de la douille de centrage.
La tronçonneuse ne démarre pas ou difficilement.	Réservoir à carburant vide (aucun carburant ne parvient au carburateur).	▶ Remplir le réservoir à carburant du produit. 25
	Filtre à air encrassé.	▶ Remplacer le filtre à air.
	Moteur noyé (bougie d'allumage humide).	▶ Sécher la bougie d'allumage et la chambre du cylindre (démonter la bougie).
	Mélange de carburants incorrect.	▶ Vider et rincer le réservoir ainsi que les conduites de carburant. ▶ Remplir le réservoir à carburant avec le carburant qui convient.
	Présence d'air dans la conduite de carburant (aucun carburant ne parvient au carburateur).	▶ Purger la conduite de carburant en actionnant plusieurs fois la pompe d'aspiration à carburant.
	Encrassement du filtre carburant (pas ou pas assez de carburant au niveau du carburateur).	▶ Nettoyer le réservoir à carburant et remplacer le filtre carburant.
	Aucune ou seulement une faible étincelle produite par la bougie (sur bougie démontée).	▶ Nettoyer les traces de calcination sur la bougie d'allumage. ▶ Contrôler l'écartement des électrodes et l'ajuster. ▶ Remplacer la bougie d'allumage. ▶ Vérifier la bobine d'allumage, le câble, les fiches de raccordement et les commutateurs, remplacer, le cas échéant, la pièce défectueuse.
	Compression trop faible.	▶ Vérifier la compression du moteur et, si nécessaire, remplacer les pièces usées (segments de piston, pistons, cylindre, etc.).
	Température ambiante trop basse.	▶ Attendre que la tronçonneuse atteigne la température ambiante et reprendre le processus de démarrage.
	Grille pare-étincelles ou sortie d'échappement encrassée.	▶ Nettoyer la grille pare-étincelles ou la sortie d'échappement.
Puissance de moteur/de tronçonnage trop faible	Soupape de décompression grippée.	▶ Dégager la soupape.
	Filtre à air encrassé.	▶ Remplacer le filtre à air.
	Aucune ou seulement une faible étincelle produite par la bougie (sur bougie démontée).	▶ Nettoyer les traces de calcination sur la bougie d'allumage. ▶ Contrôler l'écartement des électrodes et l'ajuster. ▶ Remplacer la bougie d'allumage. ▶ Vérifier la bobine d'allumage, le câble, les fiches de raccordement et les commutateurs, remplacer, le cas échéant, la pièce défectueuse.
	Mélange de carburants incorrect.	▶ Vider et rincer le réservoir ainsi que les conduites de carburant. ▶ Remplir le réservoir à carburant avec le carburant qui convient.



Défaillance	Causes possibles	Solution
Puissance de moteur/de tronçonnage trop faible	Spécifications de disque à tronçonner non appropriées pour le matériau à tronçonner.	► Remplacer le disque à tronçonner ou demander conseil auprès du S.A.V Hilti.
	La courroie de transmission ou le disque à tronçonner dérape.	► Vérifier le serrage des disques. ► Faire réparer le produit par le S.A.V. Hilti.
	Compression trop faible.	► Vérifier la compression du moteur et, si nécessaire, remplacer les pièces usées (segments de piston, pistons, cylindre, etc.).
	Travaux réalisés à plus de 1500 m au-dessus du niveau de la mer.	► Faire régler le carburateur par le S.A.V. Hilti.
	Mélange non optimal (mélange carburant / air).	► Faire régler le carburateur par le S.A.V. Hilti.
Le disque à tronçonner ne s'arrête pas en marche à vide.	Vitesse de rotation à vide trop élevée.	► Contrôler la vitesse de rotation à vide et, le cas échéant, la régler.
	Bloquer en position d'admission réduite.	► Débloquer la position d'admission réduite.
	Embrayage centrifuge défectueux.	► Remplacer l'embrayage centrifuge.
Le disque à tronçonner ne tourne pas.	Tension de courroie insuffisante ou rupture de la courroie.	► Faire réparer le produit par le S.A.V. Hilti.
Le bloc démarreur ne fonctionne pas.	Griffes d'accouplement pas en prise.	► Nettoyer les griffes d'accouplement de sorte qu'elles soient à nouveau mobiles.
	Câble de démarrage cassé.	► Remplacer le câble de démarrage.

Recyclage

Les produits sont fabriqués pour une grande partie en matériaux recyclables. Le recyclage présuppose un tri adéquat des matériaux. Hilti reprend les appareils usagés dans de nombreux pays en vue de leur recyclage. Consulter le service clients Hilti ou un conseiller commercial.

Boues de forage

En raison de la protection de l'environnement, les boues de forage ne doivent pas être versées dans les cours d'eau ou les canalisations sans prétraitement approprié.

► Veuillez vous renseigner auprès de votre administration locale sur les directives en vigueur en la matière.

Nous recommandons le prétraitement suivant :

- Collecter les boues de forage (par exemple au moyen d'un aspirateur de déchets liquides).
- Faire décanter les boues de forage et éliminer la partie sèche sur une décharge industrielle (le procédé peut être accéléré par des agents floculants).
- Avant de déverser l'eau résiduelle (basique, pH > 7) dans les canalisations, il convient de la neutraliser en ajoutant un neutralisant acide ou en la diluant avec beaucoup d'eau.

Informations complémentaires

Des informations complémentaires concernant l'utilisation, la technique, l'environnement et le recyclage sont disponibles sous le lien ci-dessous : qr.hilti.com/manual/?id=2364461

Ce lien figure également à la fin du mode d'emploi sous forme de code QR.

Garantie constructeur

► En cas de questions sur les conditions de garantie, veuillez vous adresser à votre partenaire Hilti local.

Déclaration de garantie relative à la protection contre les émissions

Vos droits et obligations de garantie en matière de garantie

L'Agence américaine de protection de l'environnement (EPA) et Hilti vous expliquent par la présente ce que signifie la garantie relative à la protection contre les émissions pour votre petit moteur non routier. Aux États-Unis et au Canada, les petits moteurs non routiers doivent être conçus, construits et équipés conformément aux normes fédérales strictes de lutte contre la pollution. Le moteur de l'appareil doit être exempt de tout défaut de matériau ou de fabrication susceptible d'entraîner le non-respect des normes EPA américaines au cours des deux premières années suivant la conclusion du contrat de vente avec le client final. Hilti doit accorder une garantie pour le système de protection contre les émissions de votre petit moteur non routier pour les périodes susmentionnées dans la mesure où votre appareil n'a pas été utilisé de manière non conforme et où son entretien n'a été ni négligé ni effectué de manière incorrecte. Votre système de protection contre les émissions comprend, entre autres, le carburateur et le système d'allumage. Si la garantie s'applique, Hilti effectue gratuitement la réparation. Les prestations fournies gratuitement dans le cadre de la garantie comprennent notamment le diagnostic, les pièces de rechange et le temps de travail.

Garantie constructeur

Pour tous les moteurs non routiers construits à partir de 2001, la conformité aux dispositions EPA applicables est garantie pour une durée de deux ans. Si un composant de votre moteur pertinent du point de vue des émissions (comme mentionné ci-dessus) présente un défaut, cette pièce est réparée ou remplacée par Hilti.

Obligations du propriétaire en termes de garantie

En tant que propriétaire d'un petit moteur non routier, vous êtes responsable de l'exécution des travaux d'entretien prescrits par Hilti dans le manuel d'utilisation. Hilti recommande de conserver tous les reçus d'entretien de votre petit moteur non routier, mais Hilti ne peut pas rejeter une demande en garantie uniquement en raison de l'absence de reçus ou de la non-exécution de tous les travaux d'entretien dus de votre part. Pour les travaux d'entretien et de réparation non couverts par la garantie, il est possible d'utiliser n'importe quelles pièces et prestations de services équivalentes en termes de performance et de durée de vie, sans que cela ne réduise les obligations de garantie du fabricant du moteur. Nous vous informons toutefois, en tant que propriétaire du petit moteur non routier, qu'Hilti peut refuser d'honorer la garantie si votre



petit moteur non routier ou une pièce de celui-ci tombe en panne en raison d'une utilisation non conforme, d'une négligence, d'un entretien inapproprié, de modifications non autorisées ou de l'utilisation de pièces non fabriquées ou approuvées par le fabricant de l'équipement d'origine (OEM). Vous êtes tenu de présenter votre petit moteur non routier à **Hilti** dès l'apparition du problème. Les réparations sous garantie doivent être effectuées dans un délai raisonnable qui ne doit pas dépasser 30 jours.

Couverture

Hilti garantit au client final et à tout acheteur ultérieur que votre petit moteur pour engins non routiers est conçu, construit et équipé de manière à être conforme à toutes les réglementations en vigueur au moment de la vente. **Hilti** garantit également à l'acheteur initial et à tous les acheteurs ultérieurs, pour une durée de deux ans, que les pièces sous garantie relatives aux émissions sont exemptes de tout défaut de matériau ou de fabrication susceptible d'entraîner la non-conformité du moteur avec les réglementations en vigueur. La période de garantie commence le jour de l'achat du moteur non routier par l'acheteur initial. Si une pièce de votre moteur relative aux émissions tombe en panne durant cette période de garantie, **Hilti** remplace gratuitement cette pièce pour le propriétaire. **Hilti** répare élimine les défauts dans le cadre de la garantie dans des centres de service et de réparation **Hilti** agréés. Les travaux autorisés réalisés dans des centres d'entretien et de réparation **Hilti** agréés sont gratuits pour le propriétaire, à condition qu'il soit prouvé que la pièce sous garantie est défectueuse. Pour les travaux d'entretien et de réparation sous garantie de pièces relatives aux émissions, il est possible d'utiliser toute pièce homologuée par le fabricant ou équivalente ; celle-ci doit être fournie gratuitement au propriétaire dans la mesure où cette pièce est toujours couverte par la période de garantie. **Hilti** est responsable de dommages causés à d'autres pièces du moteur si ces dommages ont été causés par une pièce sous garantie pour laquelle la période de garantie est encore en vigueur.

Mesures d'entretien

Le propriétaire est responsable de l'exécution des travaux d'entretien prescrits par **Hilti** dans le manuel d'utilisation.

Restrictions

La garantie octroyée aux systèmes de protection contre les émissions ne couvre pas : a) la réparation ou le remplacement de pièces à la suite d'une utilisation non conforme, d'une négligence ou de la non-exécution des travaux d'entretien requis, b) les réparations non effectuées dans les règles de l'art ou l'utilisation de pièces de rechange non conformes aux spécifications **Hilti** et qui affectent les performances et/ou la durée de vie, ainsi que les transformations ou modifications non recommandées ou non autorisées par écrit par **Hilti** et c) le remplacement de pièces et autres services et adaptations dans le cadre des travaux d'entretien nécessaires lors et après ce premier remplacement programmé. Dans tous les autres cas que ceux susmentionnés s'appliquent les dispositions relatives à la garantie du fabricant 35 ci-après.

Garantie constructeur des appareils

Hilti garantit la prise en charge de la réparation gratuite ou du remplacement des pièces présentant un défaut matériel et de fabrication pendant une période de 20 ans à compter de la date de vente d'origine. Cette garantie s'applique à condition que l'appareil soit utilisé et manipulé, nettoyé et entretenu correctement, en conformité avec le mode d'emploi **Hilti**, et que l'intégrité technique soit préservée. C'est-à-dire sous réserve de l'utilisation exclusive de consommables, accessoires et pièces de rechange d'origine **Hilti** dans l'outil.

Cette garantie se limite strictement à la réparation gratuite ou au remplacement gracieux des pièces défectueuses pendant toute la durée de service de l'appareil. Elle ne couvre pas les pièces soumises à une usure normale.

Toutes autres revendications sont exclues pour autant que des dispositions légales nationales impératives ne s'y opposent pas. En particulier, Hilti ne saurait être tenu pour responsable de toutes détériorations, pertes ou dépenses directes, indirectes, accidentelles ou consécutives, en rapport avec l'utilisation ou dues à une incapacité à utiliser l'appareil dans quelque but que ce soit. exclut en particulier les garanties implicites concernant l'utilisation et l'aptitude dans un but bien précis.

Pour une réparation ou un remplacement, veuillez contacter **Hilti** immédiatement après avoir découvert la défectuosité :

Aux États-Unis :

800.879.8000

Hilti Inc.

7250 Dallas Parkway, Suite 1000

Plano, TX 75024

CS.InboundUS@hilti.com

Au Canada :

800.343.4458

Hilti (Canada) Corporation

2360 Meadowpine Blvd

Mississauga, ON L5N 6S2

CanadaSalesSupport.English@hilti.com

CanadaSalesSupport.French@hilti.com

La présente garantie couvre toutes les obligations de **Hilti** et annule et remplace toutes les déclarations antérieures ou actuelles, de même que tous accords oraux ou écrits concernant la garantie.

es Manual de instrucciones original

Información sobre el manual de instrucciones

Acerca de este manual de instrucciones

- ¡Atención! Asegúrese de haber leído y entendido toda la documentación adjunta, incluidas, entre otras, las instrucciones, advertencias de seguridad, ilustraciones y especificaciones que se proporcionan con este producto. Familiarícese con todas las instrucciones, advertencias de seguridad, ilustraciones, especificaciones, componentes y funciones del producto antes de utilizarlo. De lo contrario, existe peligro de descarga eléctrica, incendio y/o lesiones graves. Conserve todas las advertencias e instrucciones para futuras consultas.
- Los productos han sido diseñados para usuarios profesionales y solo personal autorizado y debidamente formado puede utilizarlos y llevar a cabo su mantenimiento y conservación. Este personal debe estar especialmente instruido en lo referente a los riesgos de uso. La utilización del producto y sus dispositivos auxiliares puede conllevar riesgos para el usuario en caso de manejarse de forma inadecuada por personal no cualificado o utilizarse para usos diferentes a los que están destinados.



- La documentación adjunta corresponde al estado actual de la técnica en el momento de la impresión. Compruebe siempre la última versión en la página del producto de la página web de Hilti. Para ello siga el enlace o escanee el código QR que figura en esta documentación y que se indica con el símbolo
- No entregue nunca el producto a otras personas sin este manual de instrucciones.

Explicación de símbolos

Avisos

Las advertencias de seguridad advierten de peligros derivados del manejo del producto. Se utilizan las siguientes palabras de peligro:

PELIGRO

PELIGRO !

- ▶ Término utilizado para un peligro inminente que puede ocasionar lesiones graves o incluso la muerte.

ADVERTENCIA

ADVERTENCIA !

- ▶ Término utilizado para un posible peligro que puede ocasionar lesiones graves o incluso la muerte.

PRECAUCIÓN

PRECAUCIÓN !

- ▶ Término utilizado para una posible situación peligrosa que puede ocasionar lesiones o daños materiales.

Símbolos en el manual de instrucciones

En este manual de instrucciones se utilizan los siguientes símbolos:

	Consulte el manual de instrucciones
	Indicaciones de uso y demás información de interés
	Manejo con materiales reutilizables
	No tire las herramientas eléctricas y las baterías junto con los desperdicios domésticos

Símbolos en las figuras

En las figuras se utilizan los siguientes símbolos:

	Estos números hacen referencia a la figura correspondiente incluida al principio de este manual de instrucciones.
	La numeración en las figuras hace referencia a pasos de trabajo importantes o componentes importantes para los pasos de trabajo. Estos pasos de trabajo o componentes se resaltan en el texto mediante los correspondientes números, p. ej., (3).
	En la figura Vista general se utilizan números de posición y los números de la leyenda están explicados en el apartado Vista general del producto .
	Preste especial atención a este símbolo cuando utilice el producto.

Símbolos de productos

Símbolos en el producto

En el producto se utilizan los siguientes símbolos:

	¡ADVERTENCIA! Lea y siga todas las indicaciones de seguridad que encontrará en el manual de instrucciones. El incumplimiento de estas instrucciones puede producir lesiones graves o mortales.
	Flecha de dirección de giro en la caperuza protectora
	Posición de parada del motor
	Posición de motor en marcha
	Bomba del arrancador
	Tornillo de ajuste de la boquilla de velocidad total
	Tornillo de ajuste de la boquilla de marcha en vacío
	Tornillo de ajuste para marcha en vacío



	Dirección de giro de apertura de la tapa del depósito
	Transferencia de datos inalámbrica
	Mezcla de combustible
/min	Velocidad
RPM	Revoluciones por minuto
	Diámetro

Símbolos de peligro

En el producto se utilizan los siguientes símbolos de peligro:

	Peligro general
	Peligro por chispas
	Peligro de inhalación de vapores tóxicos y gases de escape
	Peligro por rebote
	Peligro por superficie caliente
	Velocidad de giro máxima del husillo

Señales prescriptivas

En el producto se utilizan las siguientes señales prescriptivas:

	Utilice protección para los oídos, gafas protectoras, mascarilla y casco de protección
	Utilizar guantes de protección
	Utilizar zapatos de protección

Símbolo de prohibición

En el producto se utilizan los siguientes símbolos de prohibición:

	No utilice discos tronzadores dentados
	No utilice discos tronzadores dañados
	Prohibido fumar y manipular llamas

Seguridad

Instrucciones generales de seguridad

⚠ ADVERTENCIA Lea con atención todas las indicaciones de seguridad, instrucciones, ilustraciones y datos técnicos correspondientes a este producto. Si no se atiende a las indicaciones siguientes, pueden producirse lesiones de gravedad o incluso la muerte.

Conservar todas las instrucciones e indicaciones de seguridad para futuras consultas.

Seguridad de las personas

- ▶ Utilice el producto adecuado. No utilice el producto para fines no previstos, sino únicamente de forma reglamentaria y en perfecto estado técnico.
- ▶ No efectúe nunca manipulaciones o modificaciones en el producto.
- ▶ El producto solo debe ser utilizado por personas que estén familiarizadas con él, que hayan sido informadas acerca del uso seguro de la herramienta y que entiendan los riesgos que comporta. El producto no es apto para el uso por parte de niños.
- ▶ Permanezca atento, preste atención durante el trabajo y utilice el producto con prudencia. No utilice el producto si está cansado o si se encuentra bajo los efectos de drogas, alcohol o medicamentos. Un momento de descuido mientras se está utilizando el producto puede provocar lesiones graves.



- ▶ No aplique una fuerza excesiva en la amoladora tronanzadora. Utilice la amoladora tronanzadora adecuada para cada aplicación. Con la amoladora tronanzadora adecuada, el trabajo puede realizarse de forma más eficiente y segura, a una velocidad de trabajo para la que se diseñó la amoladora tronanzadora.
- ▶ No debe utilizar herramientas de corte distintas a las descritas en esta documentación.
- ▶ Cuando corte en húmedo, no utilice discos lijadores de fijación artificial, a menos que estén específicamente indicados para tal fin por el fabricante.
- ▶ No deben usarse casquillos reductores ni cepillos de rueda trenzados.
- ▶ El usuario y las personas que se encuentren en su proximidad durante el uso del producto deberán llevar gafas protectoras homologadas según ANSI Z87.1, casco de protección, protección para los oídos, guantes de protección, zapatos de protección y una mascarilla adecuada.
- ▶ Antes de utilizar el producto o inmediatamente después de toparse con un obstáculo durante el trabajo, compruebe que la caperuza protectora no esté dañada. Las caperuzas protectoras dañadas deben sustituirse inmediatamente.
- ▶ Asegúrese de contar con medios de extinción de incendios, ya que la formación de chispas durante el trabajo, combinada con el uso de combustible, implica riesgo de incendio.
- ▶ El polvo que se genera al pulir, lijar, cortar y taladrar puede contener productos químicos peligrosos, como, por ejemplo, plomo o pinturas basadas en plomo; ladrillos, hormigón y otros productos de mampostería, piedra natural y otros productos que contengan silicatos; determinadas maderas, como el roble o el haya o las maderas tratadas químicamente, o amianto o materiales que contengan asbesto. La exposición del usuario y las personas circundantes debe regularse según la clase de peligro de los materiales con los que se trabaje. Tome las medidas necesarias para mantener la exposición a un nivel seguro, p. ej., mediante el uso de un sistema de recogida de polvo o una mascarilla adecuada. Las medidas genéricas para reducir la exposición son, entre otras:
 - ▶ trabajar en un espacio bien ventilado;
 - ▶ evitar el contacto prolongado con el polvo;
 - ▶ desviar el polvo de la cara y el cuerpo;
 - ▶ usar prendas protectoras y lavar con agua y jabón las zonas expuestas.
- ▶ Sujete siempre el producto con ambas manos por las empuñaduras previstas. Mantenga las empuñaduras, limpias, secas y sin residuos de aceite o grasa.
- ▶ Si la velocidad aumenta involuntariamente, sitúe el interruptor de conexión/desconexión en la posición de desconexión. Póngase en contacto con el Servicio Técnico de **HILTI**.
- ▶ Si el cable de aceleración del carro de guía está agarrotado o la palanca de aceleración se atasca, apague inmediatamente la amoladora tronanzadora de gasolina con el interruptor de conexión/desconexión.
- ▶ No utilice nunca el producto sin caperuza protectora. Coloque la caperuza protectora correctamente. Debe fijarla con seguridad a la herramienta y debe colocarla en la posición de mayor protección, de modo que quede descubierta en dirección al usuario la menor parte posible del disco tronanzador. Procure que las chispas producidas durante la utilización de la herramienta no provoquen situaciones de peligro. La caperuza protectora sirve para proteger al usuario contra las piezas de discos tronanzadores rotos y el contacto no intencionado con el disco tronanzador, así como contra las chispas incontroladas.
- ▶ Evite tocar las piezas en movimiento, ya que existe riesgo de lesiones.
- ▶ Procure que la postura sea estable y manténgase siempre en equilibrio. De esta forma podrá controlar mejor el producto en caso de presentarse una situación inesperada. Evite adoptar posturas forzadas. Mientras utiliza el producto, sujételo de manera que el polvo, las chispas y los posibles fragmentos rotos de los útiles de inserción o de la herramienta no choquen con su cuerpo. No se apoye en el disco tronanzador.
- ▶ Utilice ropa adecuada. No utilice vestimenta amplia ni joyas. Mantenga su pelo, vestimenta y guantes alejados de las piezas móviles. La vestimenta suelta, las joyas y el pelo largo se pueden enganchar con las piezas en movimiento.
- ▶ Si el producto o el disco tronanzador caen al suelo, compruebe que no hayan sufrido daños. En caso necesario, cambie el disco tronanzador.
- ▶ Desconecte el producto antes de ajustar la caperuza protectora o cambiar el disco tronanzador.
- ▶ Para cambiar el útil, utilice también guantes de protección. El contacto con el disco tronanzador puede producir cortes y quemaduras.
- ▶ Evite el contacto de la piel con el fango producido durante el corte en mojado.
- ▶ No deben separarse materiales que contengan asbesto.
- ▶ No se debe trabajar con materiales algo inflamables, como magnesio o madera, ni deben separarse dichos materiales.
- ▶ Efectúe pausas durante el trabajo, así como ejercicios de relajación y estiramiento de los dedos para mejorar la circulación. Tras muchas horas de trabajo expuesto a las vibraciones, pueden surgir complicaciones en los vasos sanguíneos o en el sistema nervioso en dedos, manos o articulaciones de las manos.
- ▶ Antes de comenzar a trabajar, consulte con el ingeniero, arquitecto o persona responsable de la obra. Las grietas en paredes portantes u otras estructuras pueden influir en la estática, especialmente al seccionar hierros de armadura o elementos portadores.
- ▶ Durante el proceso de taladrado, proteja la zona opuesta al lugar donde se realiza el trabajo, ya que pueden desprenderse cascotes y causar heridas a otras personas.
- ▶ No haga funcionar el producto sin vigilancia.
- ▶ Desconecte el motor y espere hasta que el disco tronanzador esté completamente parado antes de dejar el producto en el suelo o transportarlo a la siguiente posición de trabajo.
- ▶ Si se usa el producto sin bomba de agua externa, la cubierta de la bomba debe estar siempre instalada.
- ▶ Desconecte el producto después de su uso.
- ▶ Cuide el producto adecuadamente. Compruebe que no existan piezas rotas o deterioradas que puedan afectar al funcionamiento del producto. Encargue la reparación de las piezas deterioradas antes de usar el producto.
- ▶ Para reducir el riesgo de lesiones, utilice exclusivamente accesorios y herramientas originales **HILTI**.
- ▶ Encargue a un profesional la reparación del producto utilizando exclusivamente piezas de repuesto originales. Solo así se garantiza la seguridad del producto.
- ▶ Respete la normativa nacional en materia de protección laboral.



- ▶ Evite el contacto con los cables de encendido o el conector de bujías cuando el motor esté en marcha. Apague siempre el motor cuando sustituya bujías o realice inspecciones en el sistema de encendido o sus componentes.

Seguridad eléctrica

- ▶ Antes de empezar a trabajar, compruebe si la zona de trabajo oculta cables eléctricos, tuberías de gas o cañerías de agua. Las partes metálicas exteriores del producto pueden provocar una descarga eléctrica si se daña por error un cable eléctrico.
- ▶ Organice de antemano el trabajo a realizar, después de estudiar el lugar de uso. Determine si se deben colocar símbolos de advertencia y si se debe definir una distancia de trabajo respecto a otras personas.

Seguridad en el lugar de trabajo

- ▶ Procure que haya una buena iluminación en la zona de trabajo.
- ▶ No trabaje en espacios cerrados. El monóxido de carbono, los hidrocarburos sin quemar y el benceno de los gases de escape pueden provocar asfisia.
- ▶ Mantenga la zona de trabajo ordenada. Mantenga el entorno de trabajo despejado de objetos que puedan ocasionarle lesiones. El desorden en la zona de trabajo podría provocar accidentes.
- ▶ Las chispas calientes contenidas en los gases de escape o que se producen en el proceso de corte pueden provocar incendios o explosiones. Asegúrese de que las chispas no puedan propagarse a materiales inflamables (gasolina, hierba seca, etc.) o explosivos (gas, etc.).
- ▶ Monte el depósito de agua lleno en el carro de guía solo con la amoladora tronzadora instalada. De este modo se evita que el carro de guía se vuelque.
- ▶ No deposite el producto ni el carro de guía en superficies inclinadas. Asegúrese de que el producto y el carro de guía reposen sobre una base estable.
- ▶ Tras montar la bomba de agua, asegúrese de que los tornillos estén apretados con el par de apriete recomendado.
- ▶ Antes de montar la bomba de agua, asegúrese de que no se supere la presión máxima admisible de 87 psi de las tuberías.

Líquidos (gasolina y aceite) y vapores

- ▶ La inhalación de vapores de gasolina o el contacto con este combustible puede dañar la salud.
 - ▶ Evite que la gasolina entre en contacto directo con la piel. Utilice guantes de protección.
 - ▶ Si se ensucia la ropa con combustible, cámbiesela sin falta.
 - ▶ Procure ventilar bien el lugar de trabajo para evitar la inhalación de los vapores de gasolina.
 - ▶ Utilice un bidón de combustible reglamentario.
- ▶ No añada gasolina al producto con el motor en marcha. Espere hasta que se enfríe el motor.
- ▶ No fume nunca durante el repostaje, existe peligro de incendio o explosión.
- ▶ No añada gasolina al producto en el entorno de trabajo (mantenga una distancia mínima de 3 m/10 ft respecto al lugar de trabajo). Cuando añada gasolina a la herramienta, procure no derramar el combustible. Utilice un embudo apropiado.
- ▶ Evite inhalar vapores de gasolina y gases de escape. Asegúrese de que haya suficiente ventilación.
- ▶ No utilice gasolina ni otros líquidos inflamables para efectuar trabajos de limpieza.

Indicaciones de seguridad para tronzadoras de muela

- ▶ Utilice únicamente discos tronzadores cuya velocidad admisible sea como mínimo tan elevada como la velocidad máxima de giro del husillo.
- ▶ Asegúrese de que el diámetro exterior y el espesor del disco tronzador sean coherentes con las dimensiones del producto.
- ▶ No utilice nunca discos tronzadores dañados, excéntricos o vibrantes.
- ▶ No utilice discos tronzadores de diamante dañados (fisuras en la cuchilla base, segmentos rotos o desafilados, taladro de alojamiento dañado, cuchilla base doblada o deformada, fuerte decoloración debido al sobrecalentamiento, cuchilla base gastada por debajo de los segmentos de diamante, segmentos de diamante sin saliente lateral, etc.).
- ▶ No utilice herramientas de corte dentadas.
- ▶ Al montar el disco tronzador, asegúrese siempre de que el sentido de giro indicado del disco tronzador coincida con el sentido de giro del husillo. Monte siempre un solo disco tronzador.
- ▶ Los discos tronzadores, las bridas y demás accesorios deben encajar a la perfección con el husillo de su producto. Los discos tronzadores que no se adapten perfectamente al husillo del producto pueden provocar giros irregulares, fuertes vibraciones e incluso la pérdida del control o la rotura del disco tronzador.
- ▶ Utilice siempre una brida de apriete intacta con el diámetro adecuado para el disco tronzador utilizado. Una brida de apriete adecuada apoya correctamente el disco tronzador y reduce así la probabilidad de ruptura.
- ▶ Dirija el producto de forma uniforme y sin aplicar presión lateral sobre el disco tronzador. Coloque siempre el disco tronzador en ángulo recto sobre la pieza. Durante el tronzado, no aplique presión lateral sobre el disco tronzador ni lo doble para no modificar la dirección de corte.
- ▶ Los discos tronzadores abrasivos utilizados en el proceso de corte en mojado se deben gastar en el mismo día, ya que la humedad prolongada y su efecto influyen negativamente en la dureza del disco tronzador.
- ▶ No monte hojas de sierra para madera.
- ▶ Utilice solo discos tronzadores que cumplan las normas vigentes para discos tronzadores.
- ▶ Antes de montar y utilizar el disco tronzador, compruebe que no presente daños. No monte discos tronzadores dañados. Tenga en cuenta las indicaciones del fabricante del disco tronzador.
- ▶ Observe la fecha de caducidad de los discos tronzadores de aglomerado con resina sintética y no utilice discos tronzadores después de esta fecha.

Descripción del rebote e indicaciones de seguridad correspondientes

El rebote es la reacción inesperada causada por el atascamiento o bloqueo de un disco lijador en funcionamiento. El atascamiento o bloqueo produce una parada brusca de la herramienta en funcionamiento. Por ello, una amoladora tronzadora sin control se acelera en la dirección de giro opuesta respecto a la posición de bloqueo.



Si, por ejemplo, un disco lijador se atasca o bloquea en una pieza de trabajo, el borde del disco lijador que penetra en la pieza de trabajo puede engancharse y, como consecuencia, romperse o dar lugar a un rebote. El disco lijador avanza hacia el usuario o se aleja de él, según la dirección de giro del disco respecto a la posición de bloqueo. En este caso, los discos lijadores también pueden romperse.

El rebote se debe a un uso incorrecto de la amoladora tronzoadora. Puede evitarse cumpliendo las medidas de seguridad pertinentes que se describen a continuación.

- ▶ Sujete bien la amoladora tronzoadora con las dos manos y mantenga su cuerpo y brazos en una posición que le permita hacer frente a las fuerzas de rebote. Utilice siempre la empuñadura adicional, en caso de existir, para tener el máximo control sobre las fuerzas de rebote o los momentos de retroceso a plena marcha. Tomar las medidas de precaución adecuadas contribuye a tener un control absoluto sobre las fuerzas de rebote y retroceso.
- ▶ No coloque nunca la mano cerca de los útiles de inserción en movimiento. El útil de inserción puede efectuar movimientos bruscos a causa del rebote y alcanzarle la mano.
- ▶ Evite traspasar la zona trasera y delantera del disco tronzoador. El rebote empuja la amoladora tronzoadora en dirección opuesta al movimiento del disco lijador respecto a la posición de bloqueo.
- ▶ Tenga especial cuidado cerca de las esquinas y cantos afilados y evite que los útiles de inserción reboten o se enganchen con la pieza de trabajo. El útil de inserción en movimiento tiende a engancharse con las esquinas o cantos afilados en caso de rebote. Ello puede comportar la pérdida de control o el rebote de la herramienta.
- ▶ No utilice ninguna hoja de sierra de cadena o dentada ni tampoco discos de diamante segmentados con ranuras superiores a 10 mm. Estos útiles de inserción a menudo ocasionan el rebote o la pérdida de control de la amoladora tronzoadora.
- ▶ Evite el bloqueo del disco tronzoador y una presión de apriete demasiado alta. No realice cortes excesivamente profundos. La sobrecarga de los discos tronzoadores aumenta el desgaste y la tendencia al atascamiento o bloqueo y, con ello, la posibilidad de rebote o rotura del disco lijador.
- ▶ Si el disco tronzoador se atasca o el trabajo se interrumpe, desconecte la herramienta y espere a que el disco deje de girar. Nunca extraiga el disco tronzoador de la herramienta antes de que se haya detenido por completo; en caso contrario, podría producirse un rebote. Detecte la causa del atascamiento y subsane el problema.
- ▶ No vuelva a conectar la amoladora tronzoadora hasta que esta no se encuentre en la pieza de trabajo. Deje que el disco tronzoador alcance su máxima velocidad antes de continuar con el corte y proceda con el máximo cuidado. En caso contrario, el disco puede engancharse, soltarse bruscamente de la pieza de trabajo o rebotar.
- ▶ Sujete las placas o las piezas de trabajo grandes para evitar el efecto rebote inducido por discos tronzoadores atascados. Las piezas de trabajo grandes pueden doblarse por su propio peso. La pieza de trabajo debe hallarse sostenida por ambos lados del disco, tanto cerca del corte de separación como en la esquina.
- ▶ Tenga especial cuidado con los «cortes de tipo bolsa» en las paredes o en otras zonas ocultas. Los discos tronzoadores pueden provocar un rebote al cortar conductos de gas o agua, cables eléctricos u otros objetos.

Transporte y almacenamiento

- ▶ Desconecte el producto antes de transportarlo.
- ▶ Después del uso, extraiga el disco tronzoador del producto. En caso de transportar la herramienta con el disco tronzoador montado, este puede resultar dañado.
- ▶ Manipule los discos tronzoadores con cuidado y guárdelos según las instrucciones del fabricante.
- ▶ Almacene y transporte el producto siempre erguido y no tumbado sobre un lado.
- ▶ No acarree juntos el producto y el carro de guía. Retire el depósito de agua antes de transportar el carro de guía.
- ▶ El producto y el carro de guía no deben transportarse con grúa.
- ▶ Los productos que no se utilicen deben almacenarse de manera segura. Los productos que no se utilicen deben conservarse fuera del alcance de los niños, en un lugar seco, alto y cerrado.
- ▶ Al depositar el producto, asegúrese de que la posición sea segura.
- ▶ Después de usar el producto, déjelo enfriar antes de embalarlo o taponarlo.
- ▶ Almacene la gasolina y el aceite en un espacio bien ventilado y en depósitos de combustible reglamentarios.

CALIFORNIA PROPOSITION 65



DANGER

Fuels used in gas or oil filled appliances and the product of combustion of such fuels contain chemicals (including Benzene, toluene, xylenes, 1,3 butadiene and formaldehyde) known to the State of California to cause cancer, birth defects or other reproductive harm. **Wash hands after handling!**

Información sobre los valores límite de CO₂ recomendados

Realice siempre el mantenimiento y el funcionamiento del motor de la amoladora tronzoadora de acuerdo con las instrucciones de funcionamiento y mantenimiento de este manual de instrucciones. De este modo, se garantiza que las emisiones de gases de escape se mantengan dentro de los límites recomendados legalmente.

El incumplimiento de las instrucciones de funcionamiento y mantenimiento descritas en este manual de instrucciones puede afectar a la conformidad del producto con la normativa aplicable en materia de emisiones. Lo mismo se aplica a la manipulación o daños en el sistema de combustible (por ejemplo, suministro, regulación, tratamiento).



ATENCIÓN

Desviación de los valores de emisión de gases de escape La manipulación del motor y/o del sistema de combustible invalidará la certificación de emisiones de la UE.

- ▶ No está permitido manipular el motor ni el sistema de combustible.

Los valores de emisiones de CO₂ determinados durante la homologación de tipo UE pueden consultarse en el capítulo Datos técnicos 42.



Descripción

Amoladora tronzadora de gasolina

①	Arco de agua con toberas de agua integradas	⑮	Visualización del depósito
②	Caperuza protectora	⑯	Tapa del depósito de combustible
③	Suministro de agua	⑰	Empuñadura de aceleración de seguridad
④	Válvula de agua	⑱	Interruptor de arranque/parada del motor con bloqueo de aceleración media
⑤	Arrancador manual	⑲	Bomba del arrancador
⑥	Palanca de aceleración	⑳	Toma del agua
⑦	Empuñadura trasera	㉑	Tapa del filtro de aire
⑧	Disco tronzador	㉒	Cubierta de la bomba
⑨	Tornillo de apriete	㉓	Rodillos de guía
⑩	Brida de apriete	㉔	Orificio de bloqueo para el cambio del disco tronzador
⑪	Tornillo de limpieza para tobera de agua	㉕	Brazo de la sierra
⑫	Conector de bujías	㉖	Flecha de sentido de giro
⑬	Válvula de descompresión	㉗	Herramienta de montaje
⑭	Empuñadura delantera		

Carro de guía (accesorio)

①	Empuñadura	⑥	Toma del agua
②	Palanca de aceleración	⑦	Desplazamiento del eje
③	Ajuste de la profundidad de corte	⑧	Cable de aceleración
④	Pisador	⑨	Soporte de máquina
⑤	Depósito de agua		

Uso conforme a las prescripciones

El producto descrito es una amoladora tronzadora con motor para el tronzado en seco y húmedo de asfalto y materiales para la construcción minerales o metálicos con discos tronzadores de diamante o abrasivos. Se puede guiar con la mano o bien montada sobre un carro.

Recomendaciones de uso

- Con objeto de reducir la formación de polvo al cortar, trabaje preferentemente con el proceso de corte en mojado. Con la bomba de agua de absorción autónoma (accesorio) puede trabajar sin conexión a la red de abastecimiento de agua, p. ej. absorbiendo agua directamente desde un recipiente.
- No corte la pieza de trabajo de una sola vez; mueva la amoladora tronzadora varias veces en una y otra dirección hasta alcanzar poco a poco la profundidad de corte deseada.
- Durante el corte en seco, levante el disco tronzador fuera del corte con el producto en funcionamiento durante unos 10 s cada 30 o 60 s, para evitar daños en el disco tronzador de diamante.
- Afíle los discos tronzadores de diamante desafilados (no salen diamantes de la ligadura) cortando en materiales muy abrasivos como piedra arenisca o similar.
- Para aplicaciones de sierra de suelo de gran volumen, instale la amoladora tronzadora en el carro de guía (accesorio).

Especificación de los discos tronzadores

ADVERTENCIA

Riesgo de lesiones. El uso de discos tronzadores que no sea conforme con la norma ANSI puede suponer un mayor riesgo de lesiones para el usuario.

- ▶ No utilice discos tronzadores que no sean conformes con la norma ANSI sobre discos tronzadores.

Con este producto deben usarse discos tronzadores de diamante según ANSI B7.1. También pueden usarse con la herramienta discos tronzadores aglomerados con resina sintética y refuerzo de fibras según ANSI B7.1 (forma recta, no acodada, tipo cutting-off wheel) para trabajar materiales de construcción metálicos.

Siga siempre las indicaciones de uso y montaje del fabricante del disco tronzador.

Suministro

Amoladora tronzadora de gasolina, manual de instrucciones.

Encontrará otros productos del sistema autorizados para su producto en su **Hilti Store** o en Internet, en: www.hilti.group

Material de consumo y piezas de desgaste

- Filtro de aire
- Hilo
- Arrancador
- Filtro de gasolina
- Bujía
- Juego de herramientas
- Juego de cilindros
- Tornillo de fijación comp.
- Brida (2 unidades)



- Casquillo de centrado de 20 mm/1"

Datos técnicos

Características del producto

	DSH 700-X 14"	DSH 900-X 16"
Generación de productos	04	04
Peso sin disco tronizador, depósito vacío	12,1 kg (26,7 lb)	12,4 kg (27,3 lb)
Peso con carro de guía, sin disco tronizador, depósito vacío	43,1 kg (95,0 lb)	43,4 kg (95,7 lb)
Velocidad de giro máxima del husillo	5.100 rpm (85,0 Hz)	4.700 rpm (78,3 Hz)
Velocidad máxima del disco tronizador	5.100 rpm (85,0 Hz)	4.700 rpm (78,3 Hz)
Profundidad de corte máxima	125 mm (4,9 in)	150 mm (5,9 in)
Tipo de motor	Motor de dos tiempos/un cilindro/refrigerado por aire	Motor de dos tiempos/un cilindro/refrigerado por aire
Cilindrada	87 cm ³ (5,3 in ³)	87 cm ³ (5,3 in ³)
Potencia nominal (ISO 7293)	4,2 kW (5,6 hp)	4,2 kW (5,6 hp)
Velocidad nominal del motor (ISO 7293)	8000 ± 200 rpm	8000 ± 200 rpm
Velocidad de giro en vacío	2750 ± 250 rpm	2750 ± 250 rpm
Encendido (tipo)	Punto de encendido con control electrónico	Punto de encendido con control electrónico
Distancia de electrodos	0,7 mm (0,03 in)	0,7 mm (0,03 in)
Bujía	Fabricante: NGK; tipo: CMR7A	Fabricante: NGK; tipo: CMR7A
Par de apriete para fijar las bujías	12 Nm (9 ftlb ₂)	12 Nm (9 ftlb ₂)
Carburador	Fabricante: Walbro; modelo: WT; modelo: 1152	Fabricante: Walbro; modelo: WT; modelo: 1152
Mezcla de combustible	Aceite API-TC 2 % (1:50)	Aceite API-TC 2 % (1:50)
Volumen del depósito	30,4 oz (900 cm ³)	30,4 oz (900 cm ³)
Taladro de alojamiento del disco tronizador / diámetro del tope de centrado del casquillo de centrado (reversible)	20 mm o 25,4 mm (0,8 in o 1,00 in)	20 mm o 25,4 mm (0,8 in o 1,00 in)
Mínimo diámetro exterior de brida	102 mm (4,0 in)	102 mm (4,0 in)
Grosor máximo del disco (grosor de la cuchilla base)	5,5 mm (0,22 in)	5,5 mm (0,22 in)
Diámetro exterior máximo del disco	350 mm (13,8 in)	400 mm (15,7 in)
Par de apriete para fijar el disco tronizador	25 Nm (18 ftlb ₂)	25 Nm (18 ftlb ₂)

Valores de emisiones de gases de escape

Los valores determinados se establecieron en condiciones de laboratorio y son el resultado de probar un motor representativo del tipo de motor durante un ciclo de prueba fijo.

Valores de emisión de CO ₂ en [g/kWh]	840,1
--	-------

Preparación del trabajo

Combustible

El motor de dos tiempos funciona con una mezcla de combustible compuesta por gasolina y aceite. La calidad de la mezcla de combustible juega un papel muy importante en el funcionamiento y la vida útil del motor.



⚠ ADVERTENCIA

Riesgo de lesiones. La inhalación de vapores de gasolina o el contacto con este combustible puede dañar la salud.

- ▶ Evite que la gasolina entre en contacto directo con la piel. Utilice guantes de protección.
- ▶ Si se ensucia la ropa con combustible, cámbiesela sin falta.
- ▶ Procure ventilar bien el lugar de trabajo para evitar la inhalación de los vapores de gasolina.
- ▶ Utilice un bidón de combustible reglamentario.

Criterios de selección del combustible

- ▶ Utilice gasolina normal o súper con un octanaje no inferior a 89 ROZ.



El contenido en alcohol (por ejemplo, etanol, metanol u otros) del combustible utilizado no debe ser superior al 10 %; de lo contrario, la vida útil del motor se reduce considerablemente.

Aceite de dos tiempos

- ▶ Utilice aceite de dos tiempos de calidad para motores refrigerados por aire que cumpla al menos la especificación API-TC.

Mezcla del combustible

Asegúrese siempre de que la especificación del aceite de dos tiempos es correcta y utilice siempre una mezcla de combustible y aceite de dos tiempos con la proporción de mezcla óptima. Esto evitará un desgaste excesivo y daños en el motor.

La proporción de mezcla óptima es de **1:50**. Esto corresponde a 1 parte de aceite de dos tiempos con la especificación API-TC y 50 partes de gasolina (por ejemplo, 100 ml de aceite de dos tiempos y 5 litros de gasolina en un bidón).

Si no conoce la calidad de la gasolina o del aceite para motores de dos tiempos, incremente la proporción de mezcla a **1:25**.

1. Vierta primero la cantidad necesaria de aceite de dos tiempos en el depósito de combustible.
2. A continuación, vierta la gasolina en el depósito de combustible.
3. Cierre el depósito de combustible.
4. Mezcle el combustible agitando el depósito de combustible.

Llenado de combustible

1. Si se dispone del siguiente equipamiento, siga este paso adicional:
 - ▶ Mezcle el combustible y el aceite de dos tiempos. 43
2. Coloque el producto en una posición vertical estable.
3. Abra el depósito de combustible girando la tapa en sentido antihorario y retirándola.
4. Vierta lentamente el combustible a través de un embudo.
5. Cierre el depósito de combustible colocando la tapa y girándola en sentido horario.
6. Cierre el depósito de combustible.

Tareas de montaje y ajuste**⚠ ADVERTENCIA**

Riesgo de lesiones. Tocar el disco tronzador mientras gira puede causar lesiones. Las piezas calientes de la máquina o un disco tronzador caliente pueden provocar quemaduras.

- ▶ Antes de realizar trabajos de montaje o modificaciones del producto, asegúrese de que el disco tronzador se haya detenido por completo y el producto se haya enfriado.
- ▶ Utilice guantes de protección.

Montaje del disco tronzador 3**⚠ ADVERTENCIA**

Riesgo de lesiones y daños. Los discos tronzadores inadecuados pueden destruirse durante el funcionamiento o provocar la pérdida de control sobre el producto o la rotura del útil de inserción.

- ▶ Asegúrese de que la velocidad admisible del disco tronzador sea como mínimo tan elevada como la velocidad nominal máxima del husillo utilizado con el producto. Los discos tronzadores, bridas y tornillos deben ser adecuados para el producto.
- ▶ Utilice solo discos tronzadores cuyo taladro de alojamiento tenga un diámetro de 20 mm o 25,4 mm (1") y que coincidan con el casquillo de centrado.

⚠ ADVERTENCIA

Riesgo de lesiones y daños. Los discos tronzadores dañados pueden romperse.

- ▶ Si el disco tronzador recibe un golpe, compruebe de inmediato si el disco se ha dañado y sustitúyalo en caso necesario.
- ▶ No utilice nunca discos tronzadores dañados, no redondos o vibrantes.

⚠ ADVERTENCIA

Riesgo de lesiones y daños. Si los tornillos de fijación están muy apretados, tanto estos como las arandelas que llevan montadas pueden dañarse o romperse.

- ▶ Ajuste siempre el tornillo de fijación con el par de giro especificado.
- ▶ Procure no apretar demasiado el tornillo de fijación.



⚠ ADVERTENCIA

Riesgo de lesiones. En caso de montaje o desmontaje incorrecto del disco tronzador, las piezas sueltas pueden alcanzar el ojo y provocar lesiones.

- ▶ Utilice siempre protección para los ojos (gafas protectoras) al cambiar el útil de inserción.
1. Inserte la clavija de bloqueo en el taladro de la cubierta de la correa y gire el disco tronzador hasta que la clavija de bloqueo encaje.
 2. Suelte el tornillo de fijación girándolo con la llave en sentido antihorario y retirelo junto con el disco.
 3. Retire la clavija de bloqueo.
 4. Retire la brida de apriete y el disco tronzador.
 5. Compruebe si el taladro de alojamiento del disco tronzador que se va a montar coincide con el juego de centrado del casquillo de centrado.

i El casquillo de centrado presenta un tope de centrado con un diámetro de 20 mm en un lado y un tope de centrado con un diámetro de 25,4 mm (1") en el lado opuesto.

6. Limpie las superficies de fijación y de centrado en el producto y en el disco tronzador.
7. Coloque el disco tronzador con collar de centrado en el eje de accionamiento y asegúrese de que la dirección de giro sea correcta.
 - ▶ La flecha de dirección de giro del disco tronzador coincide con la dirección de giro indicada en el producto.
8. Coloque la brida de apriete y el disco en el eje de accionamiento y apriete el tornillo de fijación en sentido horario.
9. Inserte la clavija de bloqueo en el taladro de bloqueo de la cubierta de la correa y gire el disco tronzador hasta que la clavija de bloqueo encaje.
10. Apriete el tornillo de fijación (par de apriete: 25 Nm).
11. Retire la clavija de bloqueo.

⚠ PRECAUCIÓN

Riesgo de lesiones y daños. Los útiles de inserción dañados pueden romperse.

- ▶ No utilice nunca útiles de inserción dañados, no redondos o vibrantes.
- ▶ Permanezca fuera de la zona de peligro.

12. Tras montar un nuevo disco tronzador, haga girar el producto sin carga y a toda velocidad durante aprox. 1 min.

Ajuste de la caperuza protectora

⚠ ADVERTENCIA

Riesgo de lesiones. El contacto con el disco tronzador y partículas o chispas proyectadas puede causar lesiones.

- ▶ Ajuste la caperuza protectora de modo que las partículas y las chispas desprendidas del material de trabajo salgan proyectadas en dirección opuesta al usuario y al producto.
- ▶ Gire la caperuza protectora a la posición deseada.
 - ▶ Asegúrese de que la abertura de la protección de la hoja no apunte hacia el usuario.

i El arco de agua no debe utilizarse como empuñadura.

Cambio de la posición normal a la de corte enrasado

i Puede cambiarse de posición la parte anterior del brazo de la sierra a fin de poder realizar cortes lo más cerca posible de los bordes y paredes.

- ▶ Si desea utilizar el producto en la posición de corte enrasado, solicite la modificación al Servicio Técnico de Hilti.

Bloqueo del movimiento giratorio de los rodillos de guía 4

⚠ ADVERTENCIA

Riesgo de lesiones. La amoladora tronzadora puede moverse de manera imprevista o caer al suelo.

- ▶ Al trabajar en tejados, andamios o superficies inclinadas, bloquee siempre el movimiento giratorio de los rodillos de guía.

1. Suelte los tornillos de fijación de los rodillos de guía y extraiga los rodillos de guía.

2. Gire los rodillos 180° y monte los tornillos de fijación.

- ▶ La función integrada de bloqueo está activa.

3. Asegúrese de que los rodillos de guía estén bien fijados.

Instalación de la amoladora tronzadora de gasolina en el carro de guía (accesorio) 5

1. Retire el depósito de agua del carro de guía.

2. Coloque la palanca para el ajuste de la profundidad de corte en la posición superior.

3. Abra el pisador aflojando el tornillo de estrella.


4. Coloque la amoladora tronzadora con las ruedas como se muestra en el alojamiento de la herramienta delantero y sitúe la empuñadura de la amoladora tronzadora debajo del pisador.

5. Apriete el tornillo de estrella para fijar la amoladora tronzadora.

6. Monte el depósito de agua lleno.


7. Coloque la empuñadura a una altura de trabajo que le resulte cómoda.



8. Coloque la caperuza protectora.  44

Asegúrese, sobre todo en la primera puesta en servicio, de que el cable de aceleración se encuentre correctamente ajustado. El producto debe funcionar en la posición de velocidad máxima con la palanca de aceleración presionada. En caso contrario, el cable de aceleración puede ajustarse girando el tensor del cable.

Si el cable de aceleración no está accionado, el disco tronzador debe estar parado cuando el producto está en marcha en vacío. De lo contrario, desplace inmediatamente el interruptor de conexión/desconexión a la posición «Parar» y ajuste el cable de aceleración o envíe el producto al Servicio Técnico de **Hilti** para ajustar la velocidad de giro en vacío.

Montaje de la bomba de agua (accesorio) 

1. Desconecte el producto.
2. Suelte los tres tornillos de fijación de la cubierta de la bomba, extráigala y guárdela en lugar seguro.



Si se utiliza el producto sin bomba de agua, la cubierta de la bomba debe estar instalada.


3. Coloque la bomba de agua y gire ligeramente el disco tronzador para alinear de modo uniforme los dentados de la bomba de agua y la campana de embraque hasta que queden engrazados entre sí.
 - ▶ La posición está codificada y no es posible un montaje erróneo.
4. Monte los tres tornillos de fijación y apriételos con el par de apriete indicado (par de apriete: 8 Nm).
5. Una la manguera de la bomba con la conexión de la amoladora tronzadora.
6. Retire la tapa de protección del extremo de la manguera para la toma de agua.
7. Asegúrese de que la presión del agua en la tubería no supere los 6 bar.
 - ▶ Si la presión de agua en la tubería es superior a 6 bar, redúzcala.
8. Conecte la bomba de agua a la tubería de suministro o introduzca la manguera de aspiración en un recipiente con agua, por ejemplo.



Cuando la bomba de agua no esté conectada a una toma, deberá colocarse la tapa de protección en el extremo de la manguera para la toma de agua.

Desmontaje de la bomba de agua (accesorio)

1. Desconecte el producto.
2. Desconecte el suministro de agua de la bomba.
3. Coloque la tapa de protección en el extremo de la manguera para la toma de agua.
4. Desconecte la bomba del producto.
5. Suelte los tres tornillos de fijación de la bomba y desmonte la bomba.
6. Coloque la cubierta de la bomba sobre el producto, inserte los tres tornillos de fijación y apriételos (par de apriete: 4 Nm).

Arranque del motor **PELIGRO**

Peligro de asfixia. El monóxido de carbono, los hidrocarburos sin quemar y el benceno de los gases de escape pueden provocar asfixia.

- ▶ No trabaje en espacios cerrados, zanjas u hoyos, y procure que haya buena ventilación.

**ADVERTENCIA**

¡Riesgo de lesiones debido a un comportamiento inesperado del producto! Preste atención a comportamientos inusuales del producto. Si observa alguno de los siguientes fenómenos antes de la puesta en servicio o durante el funcionamiento, detenga inmediatamente todos los trabajos con el producto y apáguelo, por ejemplo, colocando el interruptor de conexión/desconexión en la posición de **parada**, pulsando el botón de la bomba (bomba de arranque) o extrayendo el conector de la bujía. Póngase en contacto con el servicio técnico de **Hilti**.

- ▶ Cambio, aumento de velocidad o aceleración involuntaria del motor o del disco tronzador.
- ▶ El conmutador de control, la palanca de aceleración u otros elementos de manejo están atascados, bloqueados o reaccionan con retardo o vuelven muy lentamente a la posición inicial.
- ▶ El disco tronzador frena mucho más lentamente de lo esperado o no frena en absoluto.

**ADVERTENCIA**

Riesgo de quemaduras. El tubo de escape alcanza temperaturas muy elevadas durante el funcionamiento del motor. Además, permanece caliente durante un periodo prolongado después de apagar el motor.

- ▶ Utilice guantes de protección y evite tocar el tubo de escape.
- ▶ No coloque el producto caliente sobre material inflamable.

**ADVERTENCIA**

Riesgo de lesiones. Un tubo de escape dañado incrementa el volumen de ruido por encima del límite admisible y aumenta el riesgo de sufrir daños auditivos.

- ▶ No utilice nunca el producto si el tubo de escape está dañado, ha sido cambiado por otro de diferentes características o no está presente.

**ADVERTENCIA**

Riesgo de lesiones en caso de uso sin montar la cubierta de la bomba de agua El contacto con la conexión de la bomba de agua durante el funcionamiento provoca lesiones.

- ▶ Antes de utilizar el producto, asegúrese de que la cubierta de la bomba de agua esté correctamente montada.



⚠ ADVERTENCIA

Riesgo de lesiones por sustancias y gases inflamables. Como consecuencia puede sufrir quemaduras e incluso la muerte.

- ▶ No utilice el producto si hay sustancias y gases inflamables presentes.
- ▶ Asegúrese de que haya una ventilación suficiente.

⚠ PRECAUCIÓN

Riesgo de lesiones al pillarse los dedos o riesgo de quemaduras con la bomba de agua montada. El contacto con la carcasa de la bomba puede provocar quemaduras.

- ▶ Agarre la empuñadura delantera únicamente por el lado superior e izquierdo.

1. Pulse una vez la válvula de descompresión.
2. Accione la bomba de arranque 2 o 3 veces hasta que el botón de la bomba se haya llenado completamente de combustible (solo para arranque en frío).
3. Pulse la empuñadura de aceleración de seguridad y manténgala presionada.
4. Pulse la palanca de aceleración y manténgala presionada.
5. Coloque el interruptor de conexión/desconexión en la posición «Arranque».
6. Suelte la empuñadura de aceleración de seguridad y la palanca de aceleración.
 - ▶ Se activará la posición de aceleración media.
7. Compruebe si el disco tronzador gira con libertad.
8. Coloque el pie derecho en la parte inferior de la empuñadura trasera.
9. Tire lentamente del arrancador manual con la mano derecha hasta que perciba una resistencia.
10. Tire con fuerza del arrancador manual.
11. Repita el proceso hasta que el motor arranque.
12. En cuanto arranque el motor, presione brevemente la palanca de aceleración.
 - ▶ De esta forma se desactiva el bloqueo de aceleración media y el motor funciona al ralentí.

Comprobaciones después del arranque del motor

1. Compruebe que el disco tronzador permanezca inmóvil en marcha en vacío y que, tras acelerar a fondo brevemente, el disco tronzador vuelva a quedar totalmente inmóvil en marcha en vacío.
 - ▶ Si el disco tronzador no se para en la marcha en vacío, reduzca la velocidad de giro en vacío. Si esto no es posible, envíe el producto al Servicio Técnico de **Hilti**.
2. Compruebe el funcionamiento correcto del interruptor de conexión/desconexión. Coloque el interruptor de conexión/desconexión en la posición «Parar».
3. Si el motor no se apaga, presione el botón de la bomba (bomba de arranque). Si esto no surte efecto, extraiga el conector de bujías y envíe el producto al Servicio Técnico de **Hilti**.

Desconexión del motor

⚠ ADVERTENCIA

Riesgo de lesiones. Un disco tronzador en rotación puede romperse y puede salir expulsado material.

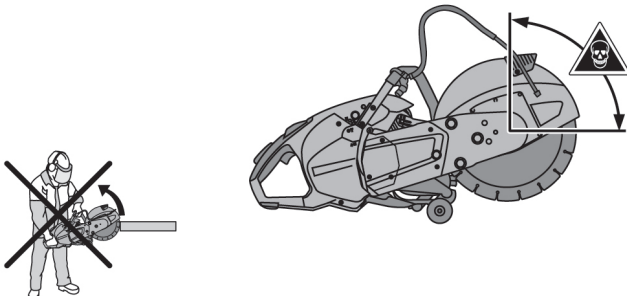
- ▶ Deje que el disco tronzador se detenga antes de depositar la amoladora tronzadora.
1. Suelte la palanca de aceleración.
 2. Coloque el interruptor de conexión/desconexión en la posición «Parar».
 - ▶ El motor se detendrá.

Manejo

Técnica de corte

Modo de evitar rebotes

Si la amoladora tronzadora se aplica en la zona marcada, existe riesgo de rebote.



- ▶ Evite que el disco tronzador toque la superficie de trabajo por la zona marcada.

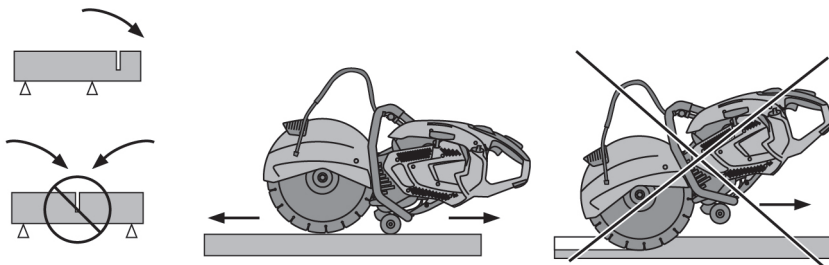


- ▶ Acerque el disco tronzador siempre desde la parte superior hacia la pieza de trabajo. El disco tronzador solo puede tocar la pieza de trabajo en una posición por debajo del punto de giro.
- ▶ Extremar la precaución cuando inserte el disco tronzador en un corte existente.

Modo de evitar bloqueos

Al cortar en la dirección del suelo, si el disco tronzador se atasca, el producto puede saltar hacia adelante de manera descontrolada.

Al realizar cortes en vertical, p. ej., en una pared, si el disco tronzador se atasca, el producto puede saltar hacia arriba de manera descontrolada.



PRECAUCIÓN

Peligro de ruptura o de rebote. La sobrecarga del disco tronzador provoca su torsión. Si el disco tronzador se atasca en el corte, aumenta la probabilidad de que se produzcan rebotes o se rompa el disco tronzador.

- ▶ No deje que el disco tronzador se atasque y evite una presión excesiva al cortar.
- ▶ No intente alcanzar de inmediato una profundidad de corte excesiva.
- ▶ Corte piezas de trabajo gruesas a ser posible en varios cortes. Evite las profundidades de corte demasiado grandes.
- ▶ Antes del corte, haga funcionar la amoladora tronzadora a la velocidad máxima.
- ▶ Ponga el disco tronzador en contacto directo con la pieza de trabajo, en ángulo recto y por debajo del eje de rotación.
- ▶ Hunda lentamente el disco tronzador en la pieza de trabajo, evitando aplicar una presión excesiva, con un movimiento de vaivén.
- ▶ Trabaje con un avance moderado, adecuado al tipo de material que esté tratando.

Si se aprecia que cada vez se avanza menos en el trabajo, puede significar que los segmentos del diamante están romos. Estos se pueden afilar haciendo cortes en material abrasivo (placa de afilado Hilti o piedra arenisca calcárea abrasiva).

- ▶ Dirija la amoladora tronzadora de forma uniforme y sin aplicar presión lateral sobre el disco tronzador.
- ▶ Sujete la amoladora tronzadora siempre con ambas manos por las empuñaduras previstas. Mantenga las empuñaduras secas, limpias y sin residuos de aceite o grasa.
- ▶ Asegúrese de que no haya ninguna persona en la zona de trabajo, especialmente en la dirección de corte. Mantenga a terceras personas alejadas aprox. 15 m de su puesto de trabajo.

Colocación de la pieza de trabajo



- ▶ Apoye las placas o las piezas grandes de trabajo de forma que la ranura de corte permanezca abierta durante y después del proceso de corte.

Cuidado y mantenimiento

ADVERTENCIA

Riesgo de lesiones. El contacto con el disco tronzador en rotación o piezas calientes de la máquina puede producir lesiones y quemaduras.

- ▶ Antes de cualquier trabajo de mantenimiento, reparación o limpieza, apague el motor y deje enfriar el producto.

Tabla de mantenimiento

	Antes de comenzar a trabajar	Cada seis meses	En caso necesario
Comprobar si la herramienta se encuentra en perfecto estado y si está completa o tiene fugas; en caso necesario, repararla.	✓		



	Antes de comenzar a trabajar	Cada seis meses	En caso necesario
Comprobar si la herramienta está sucia; en caso necesario, limpiarla.	✓		
Comprobar que los elementos de manejo funcionan correctamente; en caso necesario, repararlos.	✓		
Comprobar si el disco tronzador se encuentra en perfecto estado; en caso necesario, cambiarlo.	✓		
Apriete las tuercas y los tornillos accesibles desde el exterior.	✓	✓	✓
Comprobar si el filtro de combustible está sucio; en caso necesario, cambiarlo.		✓	✓
Cambiar el filtro de aire si el producto no arranca o la potencia del motor disminuye notablemente.			✓
Limpiar o cambiar las bujías si el producto no arranca o le cuesta arrancar.			✓
Regular la velocidad de giro en vacío si el disco tronzador no se para en la marcha en vacío.			✓
Si la correa resbala al accionar el disco tronzador, envíe el producto al Servicio Técnico de Hilti para su reparación.			✓

Limpieza o sustitución del filtro de aire

ATENCIÓN

Riesgo de daños. El producto puede estropearse si penetra polvo en su interior.

- ▶ No trabaje en ningún caso sin filtro de aire o con un filtro de aire dañado.
- ▶ Al cambiar el filtro de aire, el producto debe estar en posición vertical y no tumbado. Asegúrese de que no entre polvo en la pantalla de filtro situada por debajo del filtro de aire.

Cambie el filtro de aire cuando la potencia del motor disminuya notablemente o el comportamiento de arranque se deteriore.

1. Suelte los tornillos de fijación de la tapa del filtro de aire y extraígalas.
2. Elimine cuidadosamente el polvo adherido al filtro de aire y a la cámara de aire (utilice un aspirador de polvo).
3. Suelte los cuatro tornillos de fijación del soporte del filtro y extraiga el filtro de aire.
4. Coloque el filtro de aire nuevo y fíjelo con el soporte del filtro.
5. Coloque la tapa del filtro de aire y apriete los tornillos de fijación.

Sustitución del cable roto del arrancador

ATENCIÓN

Riesgo de daños. Un cable demasiado corto del arrancador puede dañar la carcasa.

- ▶ Si el cable del arrancador se rompe, deje de utilizarlo de inmediato y sustitúyalo.

1. Suelte los tres tornillos de fijación y extraiga la unidad del arrancador.
2. Retire los restos de cable de la bobina y de la empuñadura del arrancador.
3. Realice un nudo apretado al final del nuevo cable del arrancador e introduzca el extremo libre del cable desde arriba en la bobina del cable.
4. Conduzca el extremo libre del cable desde abajo a través del taladro en la carcasa del arrancador, así como desde abajo a través de la empuñadura del arrancador y realice en el extremo del cable otro nudo apretado.
5. Extraiga el cable del arrancador tal como se muestra en la figura de la carcasa y conduzcalo a través de la ranura de la bobina.
6. Sostenga el cable del arrancador cerca de la ranura de la bobina y gírelo en el sentido de las agujas del reloj hasta alcanzar el tope.
7. Gire la bobina desde el tope entre ½ y 1 ½ vueltas hacia atrás hasta que la ranura de la bobina coincida con el orificio en la carcasa de arrancador.
8. Sujete la bobina y extraiga el cable de la carcasa tirando en dirección a la empuñadura del arrancador.
9. Mantenga el cable tensado y suelte la bobina para que el cable del arrancador pueda enrollarse automáticamente.
10. Estire el cable del arrancador hasta su tope y compruebe si en dicha posición todavía se puede girar a mano la bobina al menos media vuelta más en el sentido de las agujas del reloj. Si esto no fuera posible, destense los resortes una vuelta más en el sentido contrario a las agujas del reloj.
11. Coloque la unidad del arrancador y presiónela con cuidado hacia abajo. Tire del cable del arrancador para que el acoplamiento encaje y la unidad del arrancador quede totalmente apoyada.
12. Fije la unidad del arrancador con los tres tornillos de fijación.



Sustitución del filtro de combustible 10

ADVERTENCIA

Riesgo de lesiones. La inhalación de vapores de gasolina o el contacto con este combustible puede dañar la salud.

- ▶ Evite que la gasolina entre en contacto directo con la piel. Utilice guantes de protección.
- ▶ Si se ensucia la ropa con combustible, cámbiesela sin falta.
- ▶ Procure ventilar bien el lugar de trabajo para evitar la inhalación de los vapores de gasolina.
- ▶ Utilice un bidón de combustible reglamentario.

Asegúrese de que no entre suciedad en el depósito de combustible del producto al repostar.

1. Abra el depósito de combustible.
2. Extraiga el filtro de combustible del depósito de combustible.
3. Revise el filtro de combustible.
 - ▶ Si el filtro de combustible está muy sucio, sustitúyalo.
4. Desplace la pinza hacia atrás por la manguera y retire el filtro de combustible sucio.
5. Coloque un nuevo filtro de combustible y fijelo con la pinza de la manguera.
6. Vuelva a introducir el filtro de combustible en el depósito de combustible.
7. Cierre el depósito de combustible.

Limpieza de la bujía, ajuste de la distancia de los electrodos o sustitución de la bujía 11

PRECAUCIÓN

Riesgo de lesiones. La bujía y las piezas del motor pueden estar calientes justo después del funcionamiento del producto.

- ▶ Antes de realizar trabajos de mantenimiento o puesta a punto, deje enfriar el producto.

1. Extraiga el conector de bujías con un ligero movimiento giratorio.
2. Desatornille la bujía del cilindro con la respectiva llave.
3. En caso necesario, limpie el electrodo con un cepillo suave de alambre.
4. Compruebe la distancia de los electrodos y ajústela en caso necesario con ayuda de una galga hasta obtener la distancia necesaria de 0,7 mm.
5. Inserte la bujía en el conector de bujías y sujete la rosca de la bujía contra el cilindro.
6. Coloque el interruptor de conexión/desconexión en la posición «Arranque».

ADVERTENCIA

Riesgo de lesiones. En caso de tocar los electrodos existe peligro de descarga eléctrica.

- ▶ No toque los electrodos de la bujía.
7. Tire del cable del arrancador (pulse la válvula de descompresión).
 - ▶ Ahora se debe ver una chispa de encendido inequívoca.
 8. Atornille la bujía en el cilindro con la llave correspondiente (par de apriete: 12 Nm).
 9. Inserte el conector de bujías en la bujía.

Ajuste del carburador 12

El carburador de este producto se ha ajustado de forma óptima antes de la entrega. En este carburador, el usuario puede ajustar la velocidad de giro en vacío (boquilla T). Todos los demás trabajos de ajuste deben ser realizados por el Servicio Técnico de Hilti.

Una manipulación inadecuada en el ajuste del carburador puede dañar el motor.

- ▶ Limpie el filtro de aire. 48
- ▶ Lleve la herramienta a la temperatura de servicio.
- ▶ Utilice un destornillador adecuado (ancho de hoja: 4 mm^{5/32"}) y no fuerce el tornillo de ajuste más allá del rango admisible.
- ▶ Ajuste la boquilla de marcha en vacío (T) de forma que el producto funcione al ralentí sin forzar y el disco tronzador se pare con seguridad.

Mantenimiento de la herramienta

Para garantizar un correcto funcionamiento, utilice exclusivamente piezas de repuesto y consumibles originales. Las piezas de repuesto, los consumibles y los accesorios autorizados por Hilti se pueden consultar en su Hilti Store o en: www.hilti.group

- ▶ Mantenga el producto seco, limpio y libre de aceite y grasa, en especial las superficies de la empuñadura.
- ▶ No utilice ningún producto de limpieza que contenga silicona.
- ▶ Limpie regularmente el exterior de la herramienta con un paño ligeramente humedecido o con un cepillo seco. Para limpiarla, no utilice pulverizadores, aparatos de chorro de vapor ni agua corriente.
- ▶ Evite que entren cuerpos extraños en el interior del producto.

Mantenimiento

1. Compruebe regularmente que ninguna de las partes exteriores del producto y de los accesorios esté dañada y que todos los elementos de manejo se encuentren en perfecto estado de funcionamiento.



2. No use al producto si alguna de las piezas está dañada o si alguno de los elementos de manejo no funciona correctamente. Encargue la reparación del producto al Servicio Técnico de Hilti.

Comprobación después de las tareas de cuidado y mantenimiento

- ▶ Una vez realizadas las tareas de cuidado y mantenimiento, compruebe si están colocados todos los dispositivos de protección y si estos funcionan correctamente.

Limpieza de las toberas de agua

1. Afloje el tornillo de limpieza del arco de agua.
2. Limpie la tobera de agua con un alambre.
3. Monte el tornillo de limpieza.

Transporte y almacenamiento

Transporte en vehículo

ADVERTENCIA

Peligro de incendio o explosión. Si el producto se vuelca durante el transporte, puede verterse el combustible contenido en el depósito.

- ▶ Antes de embalar el producto para entregarlo a un servicio de transporte, vacíe por completo el depósito de combustible.
- ▶ Siempre que sea posible, transporte el producto en su embalaje original.

ADVERTENCIA

Riesgo de incendio. Las piezas calientes de la máquina pueden incendiar el material que las rodea.

- ▶ Antes de embalar el producto o cargarlo en un vehículo, déjelo enfriar por completo.

1. Desmonte el disco tronzador.
2. Proteja el producto contra vuelco, daños y fugas de combustible.
3. Transporte el carro de guía solamente con el depósito de agua vacío.

Conservación de la mezcla de combustible

PRECAUCIÓN

Riesgo de lesiones. Dado que en el bidón de combustible puede acumularse presión, existe el peligro de que se produzcan salpicaduras de combustible al abrirlo.

- ▶ Para dejar salir la presión despacio, abra la tapa del bidón siempre con cuidado.
- ▶ Almacene el combustible en un espacio bien ventilado y seco.

1. Prepare únicamente la mezcla de combustible necesaria para el consumo de unos cuantos días.
2. Limpie de vez en cuando el depósito de combustible.

Ayuda sobre averías

Anomalía	Posible causa	Solución
El disco tronzador se vuelve más lento al cortar o se para del todo.	Se está ejerciendo demasiada presión al cortar (el disco tronzador se atasca en el corte) o lateralmente sobre el disco tronzador.	▶ Reduzca la presión de corte y guíe el producto en línea recta.
	El disco tronzador no está correctamente montado y sujetado.	▶ Compruebe el montaje y el par de apriete.
	Se ha ajustado un sentido de giro incorrecto.	▶ Monte el disco tronzador. 43
	La parte delantera del brazo de la sierra no está fijada.	▶ Encargue la reparación del producto al Servicio Técnico de Hilti.
Vibración elevada, el corte se desvía.	El disco tronzador no está correctamente montado y sujetado.	▶ Compruebe el montaje y el par de apriete.
	El disco tronzador está dañado (especificación inadecuada, fisuras, faltan segmentos, doblado, sobrecalentado, deformado, etc.).	▶ Cambie el disco tronzador.
	El casquillo de centrado está montado incorrectamente.	▶ Compruebe si el tamaño del taladro de alojamiento del disco tronzador coincide con el tope de centrado del casquillo de centrado.
La amoladora tronzadora no arranca o lo hace con dificultad.	Depósito de combustible vacío (no hay combustible en el carburador).	▶ Llene el depósito de combustible del producto. 43
	El filtro de aire presenta suciedad.	▶ Cambie el filtro de aire.
	Motor ahogado (bujía mojada).	▶ Seque la bujía y la cámara del cilindro (desmonte la bujía).
	Mezcla de combustible incorrecta.	▶ Vacíe y enjuague el depósito y la manguera de combustible. ▶ Llene el depósito de combustible con un combustible adecuado.



Anomalía	Posible causa	Solución
La amoladora tronzoadora no arranca o lo hace con dificultad.	Aire en el conducto de combustible (no hay combustible en el carburador).	<ul style="list-style-type: none"> ▶ Purgue el conducto de combustible accionando varias veces la bomba de aspiración de combustible.
	El filtro de combustible presenta suciedad (no hay combustible en el carburador o hay muy poco).	<ul style="list-style-type: none"> ▶ Limpie el depósito de combustible y cambie el filtro de combustible.
	No hay chispa de encendido o esta es muy débil (con la bujía desmontada).	<ul style="list-style-type: none"> ▶ Elimine los restos de combustión de la bujía. ▶ Compruebe la distancia entre electrodos y ajústela. ▶ Cambie la bujía. ▶ Compruebe la bobina de encendido, los cables, las conexiones enchufables y los interruptores, y sustituya las piezas defectuosas, si las hay.
	La compresión es demasiado baja.	<ul style="list-style-type: none"> ▶ Compruebe la compresión del motor y en caso necesario sustituya las piezas desgastadas (aros de pistones, pistones, cilindros, etc.).
	Temperatura ambiente demasiado baja.	<ul style="list-style-type: none"> ▶ Caliente la amoladora tronzoadora poco a poco hasta alcanzar la temperatura ambiente y repita la operación de arranque.
	La rejilla de protección contra chispas o la salida del escape se encuentran sucias.	<ul style="list-style-type: none"> ▶ Limpie la rejilla de protección contra chispas o la salida del escape.
	La válvula de descompresión funciona con dificultad.	<ul style="list-style-type: none"> ▶ Devuelva la movilidad a la válvula.
Baja potencia de motor o de corte.	El filtro de aire presenta suciedad.	<ul style="list-style-type: none"> ▶ Cambie el filtro de aire.
	No hay chispa de encendido o esta es muy débil (con la bujía desmontada).	<ul style="list-style-type: none"> ▶ Elimine los restos de combustión de la bujía. ▶ Compruebe la distancia entre electrodos y ajústela. ▶ Cambie la bujía. ▶ Compruebe la bobina de encendido, los cables, las conexiones enchufables y los interruptores, y sustituya las piezas defectuosas, si las hay.
	Mezcla de combustible incorrecta.	<ul style="list-style-type: none"> ▶ Vacíe y enjuague el depósito y la manguera de combustible. ▶ Llene el depósito de combustible con un combustible adecuado.
	Especificación inadecuada del disco tronzoador para el material que debe cortarse.	<ul style="list-style-type: none"> ▶ Cambie el disco tronzoador o consulte al Servicio Técnico de Hilti.
	La correa de accionamiento o el disco tronzoador se resbalan.	<ul style="list-style-type: none"> ▶ Compruebe la fijación del disco. ▶ Encargue la reparación del producto al Servicio Técnico de Hilti.
	La compresión es demasiado baja.	<ul style="list-style-type: none"> ▶ Compruebe la compresión del motor y en caso necesario sustituya las piezas desgastadas (aros de pistones, pistones, cilindros, etc.).
	Trabajos a una altitud superior a los 1500 m sobre el nivel del mar.	<ul style="list-style-type: none"> ▶ Lleve el carburador al Servicio Técnico de Hilti para su ajuste.
	La proporción de la mezcla no es óptima (combustible/mezcla de aire).	<ul style="list-style-type: none"> ▶ Lleve el carburador al Servicio Técnico de Hilti para su ajuste.
El disco tronzoador no se detiene en la marcha en vacío.	Velocidad de giro en vacío demasiado elevada.	<ul style="list-style-type: none"> ▶ Compruebe la velocidad de giro en vacío y ajústela si es necesario.
	Posición de aceleración media bloqueada.	<ul style="list-style-type: none"> ▶ Afloje la posición de aceleración media.
	Error en el embrague centrífugo.	<ul style="list-style-type: none"> ▶ Cambie el embrague centrífugo.
El disco tronzoador no gira.	Tensión de correa insuficiente o rotura de correa.	<ul style="list-style-type: none"> ▶ Encargue la reparación del producto al Servicio Técnico de Hilti.
La unidad del arrancador no funciona.	Las garras del acoplamiento no están engranadas.	<ul style="list-style-type: none"> ▶ Limpie las garras del acoplamiento para que recuperen la movilidad.



Anomalia	Posible causa	Solución
La unidad del arrancador no funciona.	Cable arrancador roto	► Sustituya el cable arrancador.

Reciclaje

Los productos **Hilti** están fabricados en su mayor parte con materiales reutilizables. La condición para dicha reutilización es una separación adecuada de los materiales. En muchos países, **Hilti** recoge las herramientas usadas para su recuperación. Pregunte en el Servicio de Atención al Cliente de **Hilti** o a su asesor de ventas.

Lodo de perforación

El vertido de lodo de perforación sin un tratamiento previo adecuado en el agua o en un sistema canalizado puede resultar perjudicial para el medio ambiente.

► Consulte a las autoridades locales para informarse sobre la normativa actual vigente.

Recomendamos el siguiente procedimiento previo:

- Acumule el lodo de perforación (por ejemplo, con el aspirador de líquidos).
- Deje que el lodo de perforación se sedimente y evacue la parte sólida en un lugar de depósito de escombros (los agentes de floculación pueden acelerar el proceso de separación).
- Se deberá neutralizar el agua antes de conducir el agua restante (valor pH > 7, básico) en la canalización. Para ello, añada agente neutralizador ácido o diluya con mucha agua.

Más información

Encontrará información adicional sobre manejo, técnica, medio ambiente y reciclaje en el siguiente enlace: qr.hilti.com/manual/?id=2364461

Encontrará este enlace también al final del manual de instrucciones como código QR.

Garantía del fabricante

► Si tiene alguna consulta acerca de las condiciones de la garantía, póngase en contacto con su sucursal local de **Hilti**.

Declaración de garantía sobre control nacional de emisiones

Sus derechos y obligaciones de garantía

La Agencia de Protección Ambiental de Estados Unidos (EPA) y **Hilti** le explican por la presente la garantía de control de emisiones para su motor pequeño no destinado a la circulación. En los Estados Unidos y Canadá, los pequeños motores no destinados a la circulación deben diseñarse, construirse y equiparse de acuerdo con las estrictas normas nacionales de control de la niebla tóxica (esmog). El motor de la herramienta no debe presentar defectos de material o de fabricación que pudieran derivar en el incumplimiento de las normas de la EPA de EE. UU. en los dos primeros años posteriores a la celebración del contrato de compraventa con el cliente final. **Hilti** debe ofrecer garantía para el sistema de control de emisiones de su motor pequeño no destinado a la circulación durante los periodos especificados anteriormente, siempre y cuando la herramienta no se haya utilizado de forma distinta al uso previsto ni se haya mantenido de manera descuidada o incorrecta. El sistema de control de emisiones incluye, entre otros, el carburador y el sistema de encendido. Si se produce la reclamación de garantía, **Hilti** realizará la reparación de forma gratuita. Los servicios prestados de forma gratuita dentro de la garantía incluyen, entre otros, el diagnóstico, las piezas de repuesto y las horas de trabajo.

Garantía del fabricante

Todos los motores no destinados a la circulación fabricados a partir de 2001 cuentan con la garantía de cumplimiento de las disposiciones vigentes de la EPA durante un periodo de dos años. Si un componente del motor relacionado con las emisiones (como se mencionó anteriormente) presenta un defecto, **Hilti** se encargará de la reparación o sustitución de esta pieza.

Obligaciones de garantía del propietario

Como propietario de un motor pequeño no destinado a la circulación, es usted responsable de realizar los trabajos de mantenimiento especificados por **Hilti** en el manual de usuario. **Hilti** recomienda conservar todos los recibos de mantenimiento del motor pequeño no destinado a la circulación, pero **Hilti** no puede negar la garantía basándose únicamente en la ausencia de recibos o en la no ejecución por su parte de todos los trabajos de mantenimiento debidos. En caso de trabajos de mantenimiento y de reparación que no estén cubiertos por la garantía, se podrá utilizar piezas y servicios equivalentes en potencia y vida útil sin que esto merme las obligaciones de garantía del fabricante del motor. Sin embargo, como propietario de un motor pequeño no destinado a la circulación, le informamos que **Hilti** puede rechazar el servicio de garantía si su motor pequeño no destinado a la circulación o una de sus piezas fallan debido a un uso no adecuado, negligencia, mantenimiento incorrecto, modificaciones no autorizadas o al empleo de piezas que no haya fabricado o aprobado el fabricante de equipo original (OEM). Está obligado a presentar su motor pequeño no destinado a la circulación a **Hilti** en cuanto se produzca el problema. Las reparaciones de garantía deben realizarse en un plazo razonable, de máximo 30 días.

Cobertura

Hilti garantiza al cliente final y a todos los compradores posteriores que el motor pequeño para herramientas no destinadas a la circulación está diseñado, construido y equipado de modo que cumple con toda la normativa vigente en el momento de la venta. **Hilti** garantiza también al primer comprador y a todos los compradores posteriores durante un periodo de dos años que las piezas de garantía relacionadas con las emisiones no presentan defectos de materiales o de fabricación que puedan provocar que el motor no cumpla con la normativa vigente. El periodo de garantía comienza el día en que el primer comprador adquiere el motor no destinado a la circulación. Si una pieza del motor relacionada con las emisiones falla dentro del periodo de garantía, **Hilti** se encargará de sustituir esta pieza sin coste alguno para el propietario. **Hilti** reparará los defectos bajo garantía en centros de servicio y reparación **Hilti** autorizados. Los trabajos autorizados, realizados en centros de servicio y reparación **Hilti** autorizados, no tienen coste para el propietario, siempre que demuestre que la pieza en garantía está defectuosa. Para trabajos de mantenimiento y reparación bajo garantía de piezas relacionadas con las emisiones, se podrá utilizar cualquier pieza equivalente o autorizada por el fabricante; esto debe ponerse a disposición del propietario de forma gratuita siempre que el periodo de garantía se aplique todavía a la pieza. **Hilti** es responsable de los daños a otras piezas del motor si estos los ha causado una pieza de garantía para la que aún se aplica el periodo de garantía.


Medidas de mantenimiento

El propietario es responsable de realizar los trabajos de mantenimiento especificados por **Hilti** en el manual de usuario.

Limitaciones

La garantía para el sistema de control de emisiones no se aplica a lo siguiente: a) reparación o sustitución de piezas como resultado de un uso no conforme a las prescripciones, negligencia o no realización del mantenimiento exigido, b) reparaciones realizadas incorrectamente o



empleo de piezas de repuesto que no cumplan las especificaciones de **Hilti** y que afecten a la potencia o la vida útil, así como alteraciones o modificaciones que no hayan sido recomendadas o autorizadas por escrito por **Hilti**, y c) sustitución de piezas y otros servicios y ajustes en el marco del mantenimiento exigido durante y después de dicha sustitución inicial programada. En todos los casos distintos a los mencionados anteriormente se aplican los términos de garantía de la garantía del fabricante  53 a continuación.

Garantía del fabricante

Hilti garantiza que reparará o cambiará cualquier pieza que contenga un defecto material y de mano de obra durante 20 años a partir de la fecha de compra original. Esta garantía se otorga a condición de que la herramienta sea utilizada, manejada, limpiada y revisada correctamente y de conformidad con el manual de instrucciones de **Hilti**, y de que el sistema técnico sea salvaguardado. Esto significa que se pueden utilizar en la herramienta exclusivamente consumibles, componentes y piezas de recambio originales de **Hilti**.

Esta garantía abarca la reparación o la sustitución gratuitas de las piezas defectuosas durante toda la vida útil de la herramienta. La garantía no cubre las piezas sometidas a un desgaste normal.

Quedan excluidas otras condiciones que no sean las expuestas, siempre que esta condición no sea contraria a las prescripciones nacionales vigentes. Hilti no acepta la responsabilidad especialmente relativa a deterioros, pérdidas o gastos directos, indirectos, accidentales o consecutivos, en relación con la utilización o a causa de la imposibilidad de utilización de la herramienta para cualquiera de sus finalidades. Quedan excluidas en particular todas las garantías tácitas relacionadas con la utilización y la idoneidad para una finalidad precisa.

Para cualquier reparación o sustitución, le rogamos que contacte con **Hilti** inmediatamente después de constatar el defecto en:

En EE. UU.:

800.879.8000

Hilti Inc.

7250 Dallas Parkway, Suite 1000

Plano, TX 75024

CS.InboundUS@hilti.com

En Canadá:

800.343.4458

Hilti (Canada) Corporation

2360 Meadowpine Blvd

Mississauga, ON L5N 6S2

CanadaSalesSupport.English@hilti.com

CanadaSalesSupport.French@hilti.com

Estas son las únicas obligaciones de **Hilti** en materia de garantía, las cuales anulan toda declaración anterior o contemporánea, del mismo modo que todos los acuerdos orales o escritos en relación con las garantías.







Hilti Corporation
LI-9494 Schaan
Tel.:+423 234 21 11
Fax:+423 234 29 65
www.hilti.group



2364461